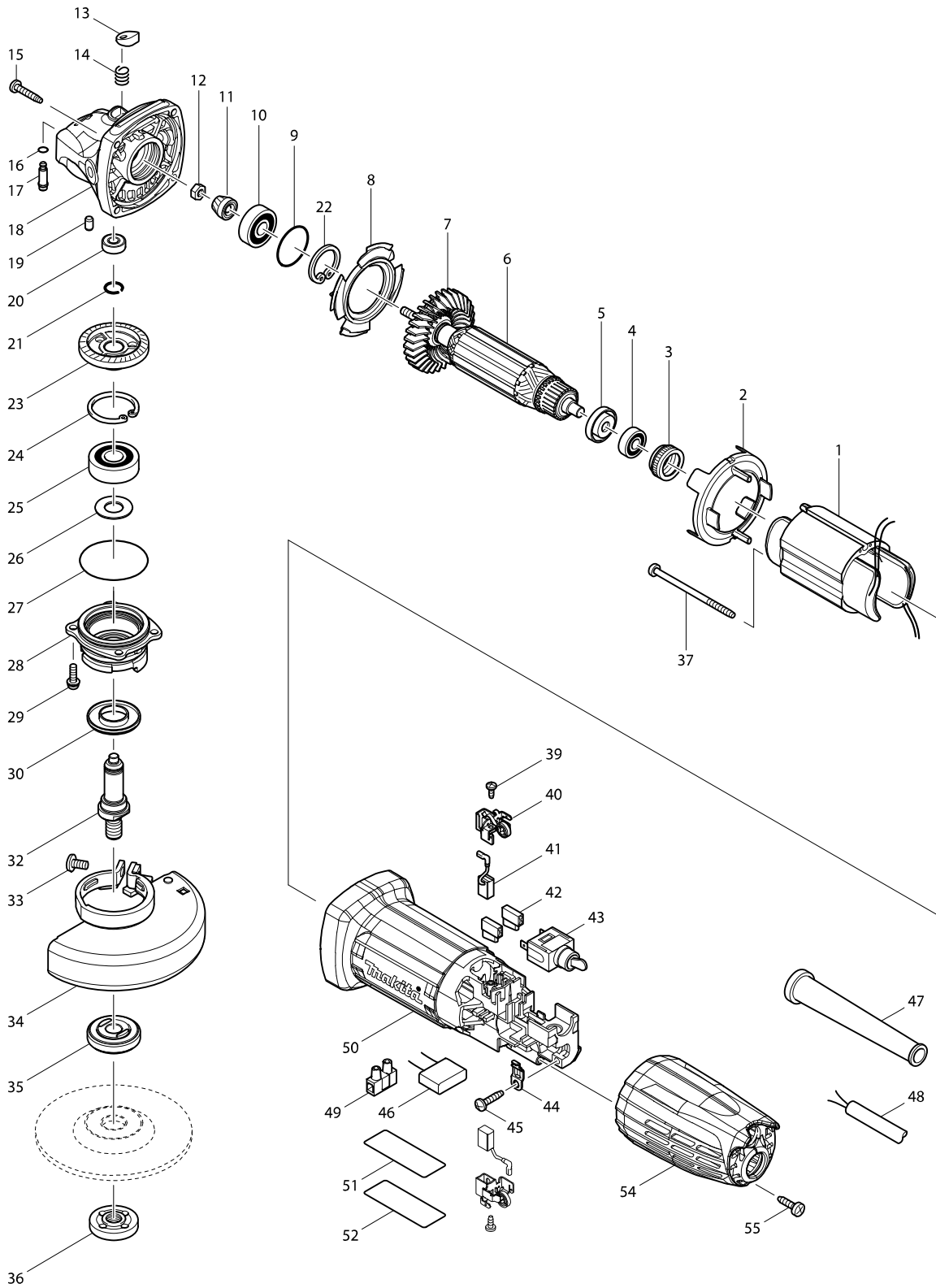


Model No. GA4032 100MM ANGLE GRINDER



# Model No. GA4032 100MM ANGLE GRINDER

Item	Parts No.	Description	I/C	QTY	N/O	Opt. 1	Opt. 2	NOTE
001	623538-4	FIELD 220-240V		1	*	85030090		
001-1	633879-0	FIELD 220-240V	O	1		85030090		
002	450796-7	BAFFLE PLATE		1		84679900		
003	421868-5	LABYRINTH RUBBER RING 19		1		40169390		
004	210034-7	BALL BEARING 607LLB		1	*	84821090		
004-1	211021-9	BALL BEARING 607LLB	O	1		84821090		
005	681636-0	INSULATION WASHER		1		73182200		
006	517664-8	ARMATURE ASSEMBLY 240V		1	*	85030090		
D10		INC. 4,5,7			*			
006-1	510184-1	ARMATURE ASSEMBLY 240V	O	1		85030090		
D10		INC. 4,5,7						
007	240107-2	FAN 56		1	*	84145190		
007-1	240139-9	FAN 56	O	1		84145190		
008	413126-3	GUIDE PLATE		1		73182990		
009	213445-5	O-RING 26		1		40169320		
010	211092-6	BALL BEARING 629DDW		1		84821090		
011	227559-4	SPIRAL BEVEL GEAR 9		1		84679900		
012	252137-1	HEX. NUT M5-8		1		73181500		
013	417771-6	PIN CAP		1		40169390		
014	234057-1	COMPRESSION SPRING 8		1		73209090		
015	266324-6	TAPPING SCREW 4X22		4		73181500		
016	213960-9	O RING 5		1	*	40169320		
016-1	213032-0	O RING 4	<	1		40169320		
017	256510-7	SHOULDER PIN 4		1		73182990		
018	318335-8	GEAR HOUSING		1		84679900		
019	263002-9	RUBBER PIN 4		1		40169390		
020	210033-9	BALL BEARING 696ZZ		1	*	84821090		
020-1	210006-2	BALL BEARING 696ZZ	O	1		84821090		
021	233950-6	RING SPRING 11		1		73209090		
022	962105-3	RETAINING RING R-26		1		73182990		
023	227560-9	SPIRAL BEVEL GEAR 38		1		84679900		
024	962151-6	RETAINING RING R-32		1		73182990		
025	211129-9	BALL BEARING 6201DDW		1		84821090		
026	267113-2	FLAT WASHER 12		1		73182200		
027	213561-3	O RING 42		1		40169320		
028	318336-6	BEARING BOX		1		84833000		
029	265099-4	PAN HEAD SCREW M4X14		4		73181500		
030	345464-4	LABYRINTH RING		1		73182990		
032	324956-6	SPINDLE		1		84679900		
033	265180-1	PAN HEAD SCREW M5X16		1		73181500		
034	135238-9	WHEEL COVER 100K ASS'Y		1	*	84679900		
D10		INC. 33			*			
034-1	122885-5	WHEEL COVER 100K ASS'Y	<	1		84679900		
C10	213009-5	O RING 4		1		40169320		
D10		INC. 33						
035	224314-5	INNER FLANGE 30		1		73182990		
036	224559-5	LOCK NUT 10-30		1		73181600		
037	266325-4	TAPPING SCREW 4X70		2		73181500		

