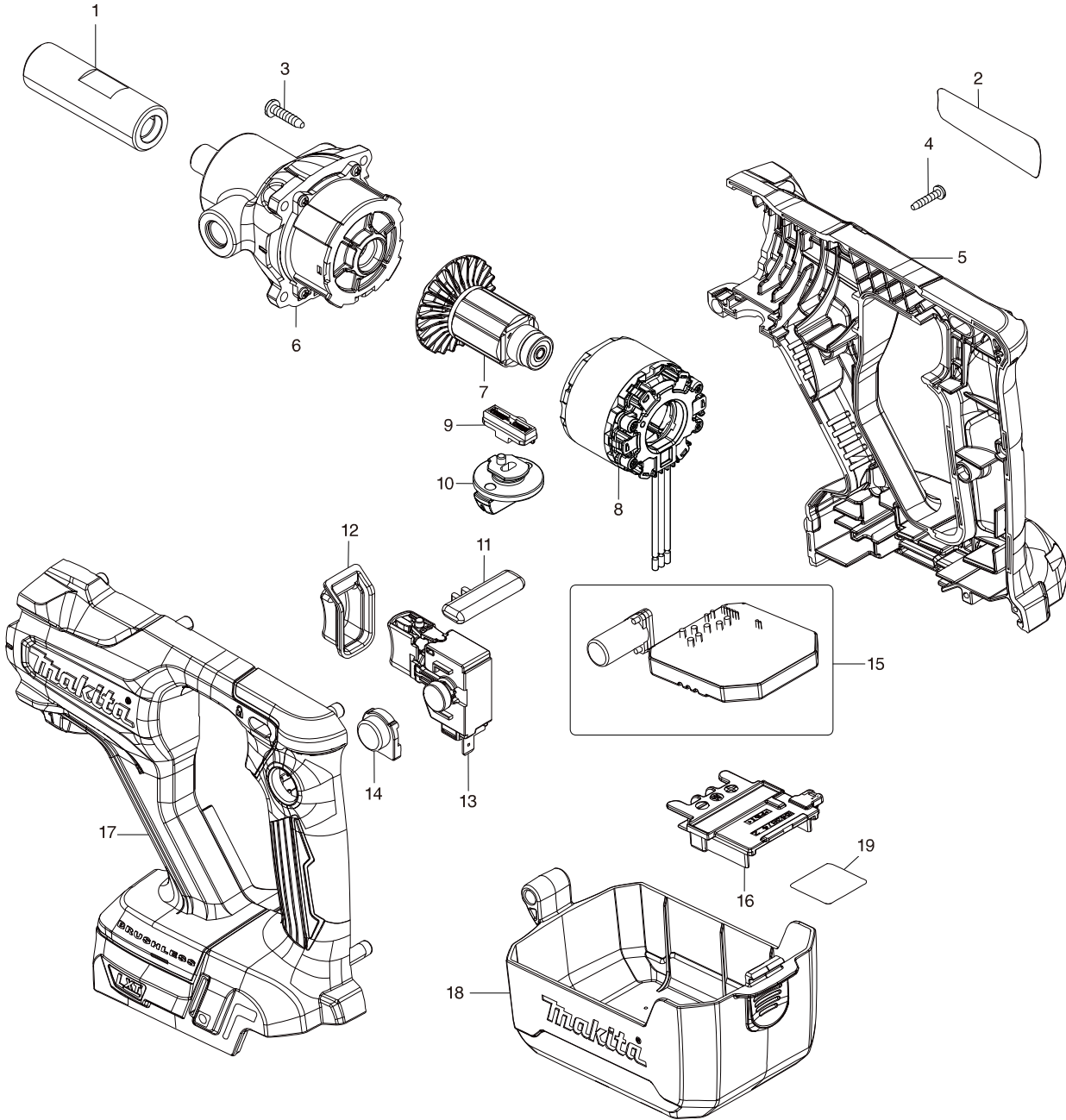


**Model No. DUT130 CORDLESS MIXER**



# Model No. DUT130 CORDLESS MIXER

Item	Parts No.	Description	I/C	QTY	N/O	Opt. 1	Opt. 2	NOTE
001	323962-8	SHAFT HOLDER		1				
002	855D77-2	DUT130 NAME PLATE		1				
003	265995-6	TAPPING SCREW 4X18		4	*	73181500		
003-1	266045-0	TAPPING SCREW 4X20	<	4		73181500		
004	266130-9	TAPPING SCREW BIND PT 3X16		10		73181500		
005	183L06-6	HOUSING SET		1				
C10	263005-3	RUBBER PIN 6		2		40169390		
C20	252126-6	HEX. LOCKING NUT M4-7		2		73181500		
D10		INC. 17						
006	127065-8	GEAR ASSEMBLY		1				
007	619551-8	ROTOR		1		84679900		
008	629396-6	STATOR		1		84679900		
009	127066-6	CHANGE LEVER ASSEMBLY		1		84679900		
C10	232518-5	COMPRESSION SPRING 4		2				
010	127282-0	SPEED CHANGE LEVER ASSEMBLY		1		84679900		
C10	213118-0	O RING 12		1				
011	458822-6	LOCK LEVER		1		84679900		
012	458816-1	SWITCH COVER		1		84679900		
013	651088-9	SWITCH C3JW-4B-1L		1				
014	458819-5	LOCK ON BUTTON COVER		1		84679900		
015	620972-9	CONTROLLER		1		84679900		
016	643874-2	TERMINAL		1		73182990		
017	183L06-6	HOUSING SET		1				
C10	263005-3	RUBBER PIN 6		2		40169390		
C20	252126-6	HEX. LOCKING NUT M4-7		2		73181500		
D10		INC. 5						
018	458820-0	COVER		1		84679900		
019	855D80-3	DUT130 SERIAL NO. LABEL		1				
A01	140G50-6	GRIP COMPLETE		1				
A02	A-43692	MIXING BLADE 165		1		82029990		
A03	A-43751	SHAFT COMPLETE		1				
A04	265220-5	HEX. BOLT M8X18		1		73181500		
A05	326649-1	SHAFT HOLDER 1/2-M14		1				
A06	458814-5	FRONT COVER		1				
A07	781006-4	WRENCH 13		1		82041120		
A08	781010-3	WRENCH 19		2		82041120		
A09	831253-8	TOTE BAG		1				
A10B	450128-8	BATTERY COVER		2		39269099		
A11B	***DC18RC	DC18RC FAST CHARGER		1				
D10		COMPO-PARTS						
A12B	198013-4	BATTERY BL1850B SET		2				