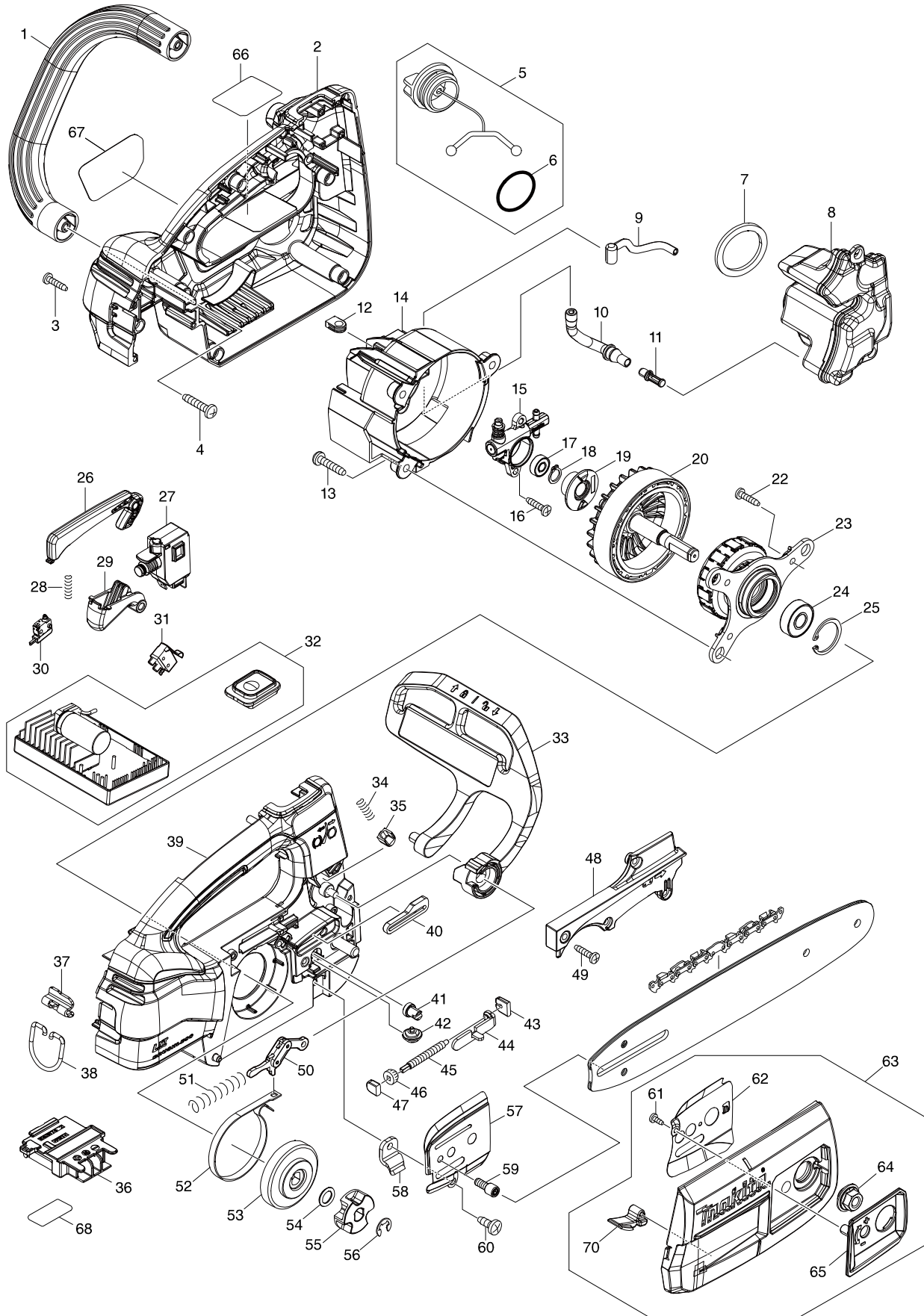


Model No. DUC254 250MM CORDLESS CHAIN SAW



Model No. DUC254 250MM CORDLESS CHAIN SAW

Item	Parts No.	Description	I/C	QTY	N/O	Opt. 1	Opt. 2	NOTE
001	458490-5	SIDE HANDLE		1		84679900		
002	183J27-6	HOUSING SET		1		84679900		
	C10 263005-3	RUBBER PIN 6		2		40169390		
	D10	INC. 39						
003	266326-2	TAPPING SCREW 4X18		8		73181500		
004	266041-8	TAPPING SCREW 5X25		2		73181500		
005	168508-1	TANK CAP COMPLETE		1				
	D10	INC. 6						
006	213355-6	O-RING 25		1				
007	421959-2	SPONGE SEAL		1		40169390		
008	140A75-4	OIL TANK COMPLETE		1		84679900		
009	422271-3	CONNECTOR A		1		85369090		
010	422272-1	CONNECTOR B		1		85369090		
011	450437-5	FILTER		1		84219900		
012	424612-9	GROMMET		1				
013	266041-8	TAPPING SCREW 5X25		3		73181500		
014	458489-0	MOTOR HOUSING		1		84679900		
015	142857-4	OIL PUMP COMPLETE		1		84133090		
016	266326-2	TAPPING SCREW 4X18		2		73181500		
017	210026-6	BALL BEARING 696ZZ		1		84821090		
018	961006-2	RETAINING RING S-10		1		73182990		
019	221428-1	WORM GEAR		1		84834000		
020	619518-6	ROTOR		1		85030090		
022	266326-2	TAPPING SCREW 4X18		3		73181500		
023	629378-8	STATOR COMPLETE		1				
024	210059-1	BALL BEARING 6000DDW		1		84821090		
025	962105-3	RETAINING RING R-26		1		73182990		
026	458497-1	CATCH LEVER		1		73182990		
027	651365-9	SWITCH C3JW-6BM-P		1		85365090		
028	233476-8	COMPRESSION SPRING 4		1				
029	458495-5	SWITCH LEVER		1		73182990		
030	632L49-0	SWITCH UNIT		1		85365090		
031	632L48-2	SWITCH UNIT		1		85365090		
032	140A77-0	CONTROLLER COMPLETE		1		84679900		
	C10 810D46-0	SWITCH LABEL		1				
033	140A71-2	FRONT HAND GUARD COMPLETE		1		73182990		
	C10 816U30-5	CAUTION LABEL		1				
034	232453-7	COMPRESSION SPRING 3		1		73209090		
035	310879-4	HAND GUARD GUIDE		1		73182990		
036	643874-2	TERMINAL		1		73182990		
037	347377-5	HOOK SUPPORT		1		73182990		
038	281222-3	HOOK		1		73182990		
039	183J27-6	HOUSING SET		1		84679900		
	C10 263005-3	RUBBER PIN 6		2		40169390		
	D10	INC. 2						
040	422270-5	GROMMET		1		84679900		
041	227620-7	DRIVE GEAR		1				
042	227634-6	STRAIGHT BEVEL GEAR 14		1		84679900		

Item	Parts No.	Description	I/C	QTY	N/O	Opt. 1	Opt. 2	NOTE
043	455241-7	CLAMP SCREW		1		73181500		
044	347376-7	TENSION SLIDE		1	*	73182990		
044-1	347569-6	TENSION SLIDE	S	1				
045	327120-8	ADJUST SCREW		1		73181500		
046	227496-2	STRAIGHT BEVEL GEAR 14		1		84679900		
047	455242-5	CLAMP SCREW		1		73181500		
048	458491-3	HOUSING R COVER		1		84679900		
049	266326-2	TAPPING SCREW 4X18		4		73181500		
050	140A74-6	LINK PLATE COMPLETE		1		73182990		
051	232452-9	COMPRESSION SPRING 7		1		73209090		
052	347372-5	BRAKE BAND		1		84679900		
053	161871-1	BRAKE DRUM COMPLETE		1		84836090		
054	213060-5	O RING 10		1				
055	221464-7	SPROCKET 6		1		73182990		
056	961013-5	STOP RING E-7		1		73182990		
057	347374-1	GUIDE PLATE L		1	*	73182990		
057-1	347567-0	GUIDE PLATE L	S	1				
058	347373-3	CHAIN CATCHER		1		84679900		
059	266905-6	H.L. SOCKET HEAD BOLT M5X12		1		73181500		
060	266388-0	TAPPING SCREW 5X16		1		73181500		
061	266007-8	TAPPING SCREW BIND PT 3X10		1		73181500		
062	347375-9	GUIDE PLATE R		1	*	73182990		
062-1	347568-8	GUIDE PLATE R	S	1				
063	136010-2	SPROCKET COVER ASS'Y		1	*			
D10		INC. 61,62,64,65,70			*			
063-1	136010-2	SPROCKET COVER ASS'Y	<	1	*			
D10		INC. 61,62,64,65,70,71			*			
063-2	136036-4	SPROCKET COVER ASS'Y	<	1	*			
D10		INC. 61,62,64,65,70,71			*			
063-3	136122-1	SPROCKET COVER ASS'Y	S	1				
D10		INC. 61,62,64,65,70,71						
064	161870-3	FRANGE NUT COMPLETE		1	*	73181600		
064-1	162494-8	FLANGE NUT COMPLETE	<	1				
065	458499-7	NUT COVER		1		73181600		
066	854G31-1	DUC254 NAME PLATE		1				
067	816U21-6	DUC254 MODEL NO. LABEL		1				
068	854G38-7	DUC254 SERIAL NO. LABE		1				
070	422310-9	CHIP GUIDE		1				
071	458493-9	SPROCKET COVER		1	*	73182990		
071-1	459771-0	SPROCKET COVER	S	1				
A01	161846-0	GUIDE BAR 10		1				
A02	458501-6	GUIDE BAR CASE		1				
A03	199075-5	SAW CHAIN SET		1				
A04	782023-7	WRENCH 13-16		1		82041120		
A09	831304-7	ACCESSORY BAG		1		42022990		