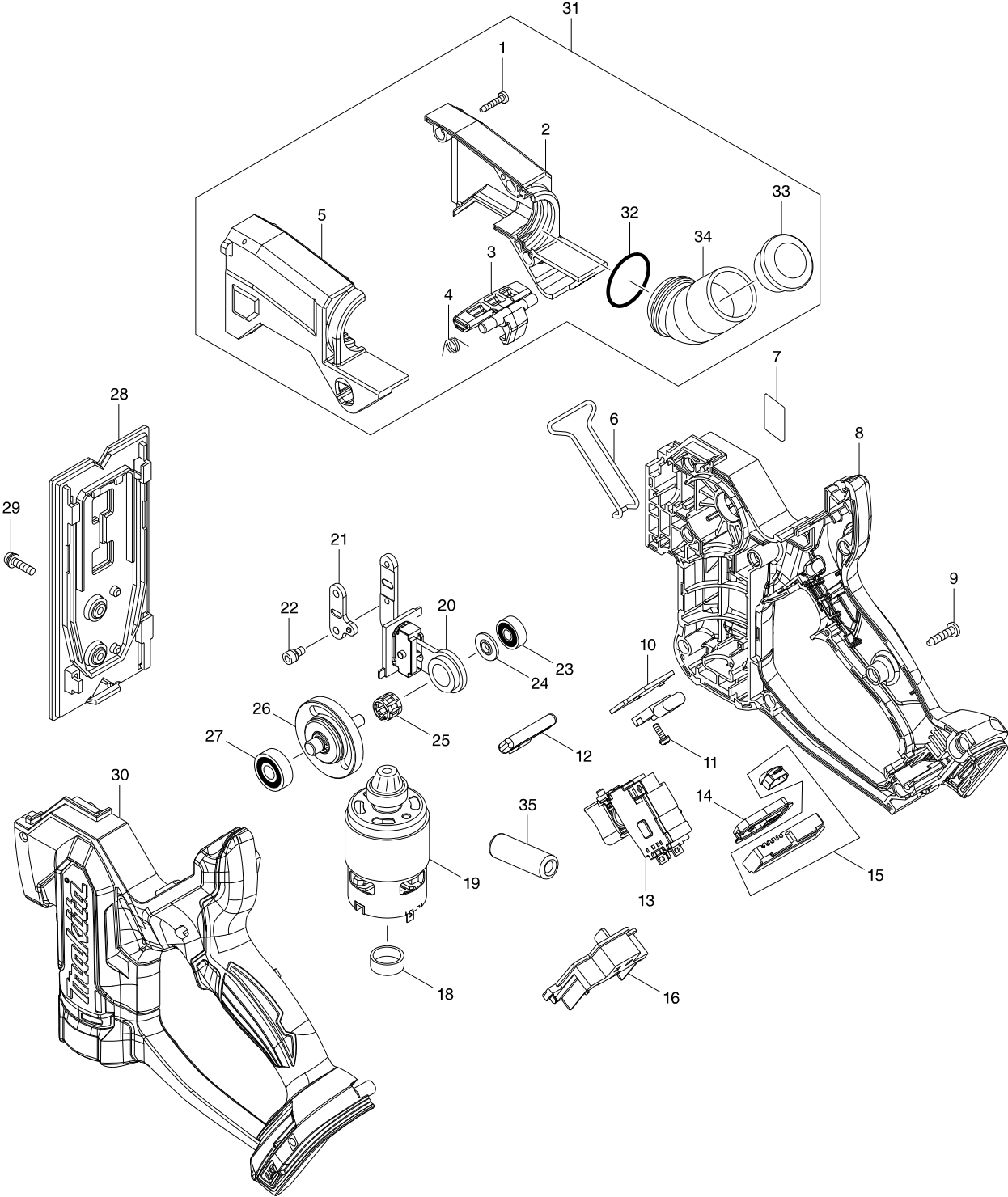


**Model No. DSD180 CORDLESS DRYWALL SAW**



# Model No. DSD180 CORDLESS DRYWALL SAW

Item	Parts No.	Description	I/C	QTY	N/O	Opt. 1	Opt. 2	NOTE
001	266130-9	TAPPING SCREW BIND PT 3X16		3		73181500		
002	183C66-4	DUST COLLECTOR SET		1				
	D10	INC. 5						
003	456628-6	HOOK		1				
004-1	231661-7	TORSION SPRING 9		1				
005	183C66-4	DUST COLLECTOR SET		1				
	D10	INC. 2						
006	326680-7	SAFETY WIRE		1		84679900		
007	852N21-0	DSD180 NAME PLATE		1				
008	183E41-2	HOUSING SET		1		84679900		
	C10	263002-9 RUBBER PIN 4		1		40169390		
	C20	263005-3 RUBBER PIN 6		2		40169390		
	D10	INC. 30						
009	266326-2	TAPPING SCREW 4X18		9		73181500		
010	689098-6	HEAT SINK		1		76169990		
011	911013-5	PAN HEAD SCREW M3X10		1		73181500		
012	456625-2	LOCK OFF BUTTON		1		73182990		
013	650762-6	SWITCH		1		85366990		
014	140963-9	SWITCH PLATE COMPLETE		1		39269099		
015	620509-2	LIGHT CIRCUIT		1		84679900		
016	644808-8	TERMINAL		1		73182990		
018	421940-3	CAP		1		40169390		
019	629193-0	DC MOTOR		1		85011019		
020	143694-9	SLIDER COMPLETE		1		84679900		
	C10	256305-8 PIN 4		1				
	C20	257391-2 RING 4		1				
	C30	310686-5 SLIDER PLATE		1				
	C40	310687-3 SLIDER GUIDE		1				
021	347010-9	BLADE HOLDER		1		82078000		
022	922106-3	HEX. SOCKET HEAD BOLT M4X8		2				
023	211012-0	BALL BEARING 606ZZ		1		84821090		
024	326679-2	SHOULDER WASHER		1		73182200		
025	212077-5	NEEDLE CAGE		1		84821090		
026	143690-7	CRANK SHAFT COMPLETE		1		84831099		
027	211032-4	BALL BEARING 608ZZ		1		84821090		
028	456623-6	BASE		1		84679900		
029	911128-8	P.H.SCREW M4X16 WITH WR		2		73181500		
030	183E41-2	HOUSING SET		1		84679900		
	C10	263002-9 RUBBER PIN 4		1		40169390		
	C20	263005-3 RUBBER PIN 6		2		40169390		
	D10	INC. 8						
031	123559-1	DUST COLLECTOR ASSEMBLY		1		84679900		
	D10	INC. 1-3,4-1,5,32-34						
032	213412-0	O RING 29		1		40169320		
033	286268-4	CAP 31		1		40169390		
034	451177-8	DUST NOZZLE		1				
A01	456624-4	BASE COVER		1				
A02	456632-5	BLADE COVER		1				

