



Cordless Pin Nailer

DPT353 18V LITHIUM-ION

PT354D 12Vmax LITHIUM-ION



12V_{max}
LITHIUM-ION

CXT PT354D



18V
LITHIUM-ION

LXT DPT353

reaction
40%
Down
compared to our predecessor model

Low reaction force mechanism

prevent an incomplete nailing without pushing down the pin nailer tightly.





DPT353

Work volume on a single full battery charge
about **5,300** staple

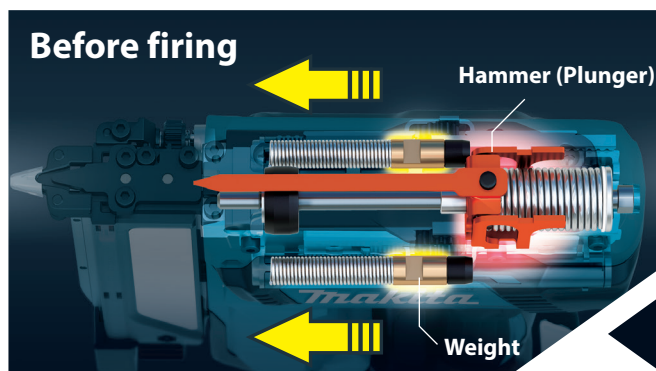


PT354D

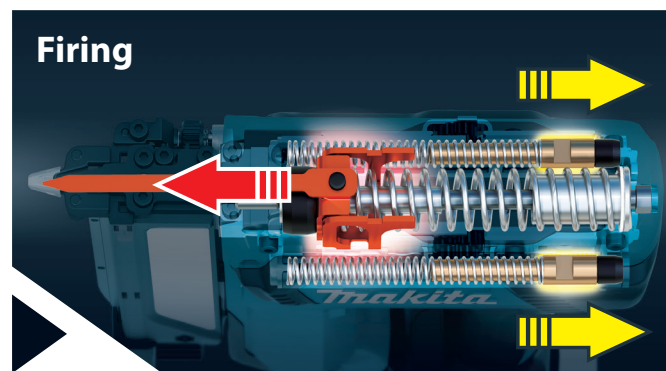
Work volume on a single full battery charge
about **1,000** staple

Comfortable operation + Beautiful finish

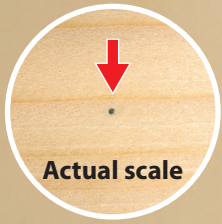
Counter Weight Mechanism



While hammer is pulled backward, weight moves forward.



Hammer drives a pin nail into workpiece at a stroke and simultaneously weight moves backward. This unique mechanism reduces reaction at firing.



Newly designed driver shape balances beautiful finish and durability.

0.6mm

Reduced damage to work surface. Straight tip shape.



Photo : PT354D

Nose tip designed to provide better visibility

Fires both vertically and horizontally



Easy to exchange driver.



Compatible with 4mm width groove

Nails can be fired in the groove of baseboard.



Excellent corner firing

Redesigned bolt position enables to fire at very close to the wall.



With Nose adapter



2.5mm

Pin nails

without Nose adapter



1.5mm

Pin nails



Photo : PT354D

Optimum weight balance for easy handling



Contact arm mechanism + Low reaction force mechanism



LED job light

LED warning lamp for Battery capacity



Battery fuel gauge

(DPT353 only)



■ Depth Adjustment

■ Anti-dry fire mechanism

■ Ergonomically designed grip

Li-ion Battery & Charging Time Reference, Compatibility Chart

DPT353							PT354D			
	BL1815N 18V 1.5Ah	BL1820B 18V 2.0Ah with Battery fuel gauge	BL1830B 18V 3.0Ah with Battery fuel gauge	BL1840B 18V 4.0Ah with Battery fuel gauge	BL1850B 18V 5.0Ah with Battery fuel gauge	BL1860B 18V 6.0Ah with Battery fuel gauge		BL1016 12Vmax 1.5Ah	BL1021B 12Vmax 2.0Ah with Battery fuel gauge	BL1041B 12Vmax 4.0Ah with Battery fuel gauge
	15 min	24 min	22 min	36 min	45 min	55 min		22 min	30 min	60 min
	30 min	45 min	60 min	90 min	110 min	130 min		50 min	70 min	130 min

Cordless Pin Nailer

DPT353, PT354D

- Depth Adjustment
- Auto Firing Stop
- Built-in Job Light
- Carrying Case

	DPT353	PT354D
Capacity	Length: 15, 18, 25, 30, 35 mm (5/8", 11/16", 1", 1-3/16", 1-3/8") Dia.: 0.6mm (1/32") Gauge: 23 Ga	Length: 15, 18, 25, 30, 35 mm (5/8, 11/16, 1, 1-3/16, 1-3/8") Dia.: 0.6mm (1/32") Gauge: 23 Ga
Magazine Capacity	120	120
Vibration Level	2.5 m/s ² or less	2.5 m/s ² or less
Sound Pressure Level	76 dB(A)	76 dB(A)
Dimensions (L x W x H)	257x79x226mm (10-1/8"x3-1/8"x8-7/8")	231x66x226mm (9-1/8"x2-5/8"x8-7/8")
Net weight	BL1815N : 2.0 kg (4.4 lbs.) BL1860B : 2.3 kg (5.1 lbs.)	BL1016 : 1.8 kg (4.0 lbs.) BL1041B : 2.0 kg (4.4 lbs.)

Standard Equipment : Nose Adapter, Safety Goggles, Belt Clip, Hex Wrench, Battery, Charger

Items of standard equipment and specifications may vary by country or area. weight according to EPTA-Procedure 01/ver.2.1

Makita Corporation

3-11-8 Sumiyoshi-cho, Anjo, Aichi, 446-8502 Japan

PRINTED IN JAPAN 201704