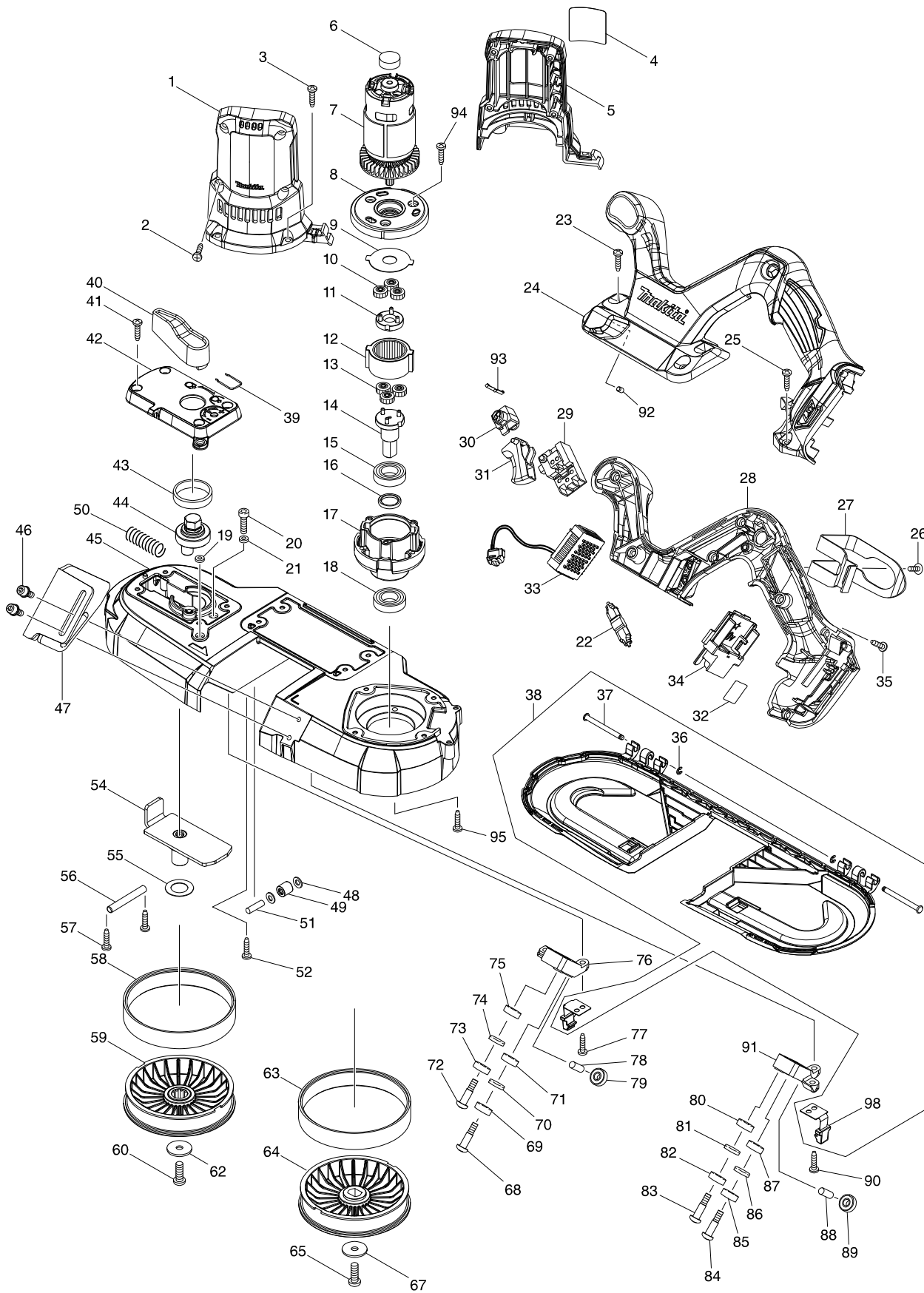


# Model No. DPB182 CORDLESS PORTABLE BAND SAW



# Model No. DPB182 CORDLESS PORTABLE BAND SAW

Item	Parts No.	Description	I/C	QTY	N/O	Opt. 1	Opt. 2	NOTE
001	187711-5	MOTOR HOUSING SET		1				
D10		INC. 5						
002	266326-2	TAPPING SCREW 4X18		4		73181500		
003	266034-5	TAPPING SCREW CT 4X16		4		73181500		
004	855M88-1	DPB182 NAME PLATE		1				
005	187711-5	MOTOR HOUSING SET		1				
D10		INC. 1						
006	421940-3	CAP		1		40169390		
007	629402-7	DC MOTOR		1				
008	454650-7	GEAR HOUSING COVER		1				
009	267855-8	LOCK WASHER		1				
010	227331-4	SPUR GEAR 14		3				
011	144386-3	SPUR GEAR 7 COMPLETE		1				
012	227332-2	INTERNAL GEAR 36		1				
013	226900-8	SPUR GEAR 14		3		84834000		
014	140J06-7	SPINDLE COMPLETE		1				
015	211242-3	BALL BEARING 6902ZZ		1		84821090		
016	257348-3	RING 15		1				
017	319793-1	GEAR HOUSING		1		84679900		
018	211242-3	BALL BEARING 6902ZZ		1		84821090		
019	262130-7	URETHANE RING 4		1				
020	265382-9	HEX. SOCKET HEAD BOLT M5X20		1				
021	262130-7	URETHANE RING 4		1				
023	266034-5	TAPPING SCREW CT 4X16		4		73181500		
024	187763-6	HANDLE SET		1				
C10	252126-6	HEX. LOCKING NUT M4-7		2		73181500		
C20	263005-3	RUBBER PIN 6		2		40169390		
D10		INC. 28						
025	266034-5	TAPPING SCREW CT 4X16		2		73181500		
028	187763-6	HANDLE SET		1				
C10	252126-6	HEX. LOCKING NUT M4-7		2		73181500		
C20	263005-3	RUBBER PIN 6		2		40169390		
D10		INC. 24						
029	650705-8	SWITCH TG73BDS-1		1				
030	419504-5	LOCK OFF BUTTON		1				
031	454651-5	SWITCH LEVER		1				
032	855M95-4	DPB182 SERIAL NO. LABEL		1				
033	632L42-4	CONTROLLER UNIT		1				
C10	654208-4	RECEPTACLE		1		84679900		
C20	654069-2	RECEPTACLE		1		84679900		
034	643874-2	TERMINAL		1		73182990		
035	266326-2	TAPPING SCREW 4X18		7		73181500		
039	231955-0	RING SPRING 12		1		73209090		
040	272230-5	LEVER 54		1		39269099		
041	266034-5	TAPPING SCREW CT 4X16		4		73181500		
042	459084-9	LEVER HOLDER		1		84679900		
043	214408-4	PLANE BEARING 30		1				
044	326351-6	LEVER SHAFT		1				

# Model No. DPB182 CORDLESS PORTABLE BAND SAW

Item	Parts No.	Description	I/C	QTY	N/O	Opt. 1	Opt. 2	NOTE
045	140J09-1	FRAME COMPLETE		1				
C10	424736-1	SPONGE		1				
C20	263005-3	RUBBER PIN 6		1	40169390			
046	922218-2	H.S.H.BOLT M5X14 WITH WR		2	73181500			
047	346728-9	STOPPER PLATE		1				
048	267010-2	FLAT WASHER 5		2	73182200			
049	212199-1	NEEDLE BEARING 510		1	84679900			
050	234313-9	COMPRESSION SPRING 9		1				
051	256155-1	PIN 5		1	73182990			
052	266034-5	TAPPING SCREW CT 4X16		1	73181500			
054	162564-3	SLIDE PLATE		1	84679900			
055	267164-5	FLAT WASHER 15		1	73182200			
056	268241-6	PIN 6		1				
057	266034-5	TAPPING SCREW CT 4X16		2	73181500			
058	424589-8	RUBBER TIRE		1				
059	140J07-5	WHEEL COMPLETE A		1				
060	265484-1	HEX. SOCKET HEAD BOLT M6X17		1				
062	267173-4	FLAT WASHER 6		1				
063	424589-8	RUBBER TIRE		1				
064	459087-3	WHEEL B		1	84679900			
065	265484-1	HEX. SOCKET HEAD BOLT M6X17		1				
067	267173-4	FLAT WASHER 6		1				
068	251337-0	+ PAN HEAD SCREW M5		1	73181500			
069	210187-2	BALL BEARING 696ZZ		1	84679900			
070	941152-7	FLAT WASHER 6		1	73182200			
071	210187-2	BALL BEARING 696ZZ		1	84679900			
072	251337-0	+ PAN HEAD SCREW M5		1	73181500			
073	210187-2	BALL BEARING 696ZZ		1	84679900			
074	941152-7	FLAT WASHER 6		1	73182200			
075	210187-2	BALL BEARING 696ZZ		1	84679900			
076	319400-6	UPPER HOLDER 42		1				
077	266034-5	TAPPING SCREW CT 4X16		2	73181500			
078	256033-5	PIN 6		1	73182990			
079	210187-2	BALL BEARING 696ZZ		1	84679900			
080	210187-2	BALL BEARING 696ZZ		1	84679900			
081	941152-7	FLAT WASHER 6		1	73182200			
082	210187-2	BALL BEARING 696ZZ		1	84679900			
083	251337-0	+ PAN HEAD SCREW M5		1	73181500			
084	251337-0	+ PAN HEAD SCREW M5		1	73181500			
085	210187-2	BALL BEARING 696ZZ		1	84679900			
086	941152-7	FLAT WASHER 6		1	73182200			
087	210187-2	BALL BEARING 696ZZ		1	84679900			
088	256033-5	PIN 6		1	73182990			
089	210187-2	BALL BEARING 696ZZ		1	84679900			
090	266034-5	TAPPING SCREW CT 4X16		2	73181500			
091	319074-3	LOWER HOLDER 42		1				
092	263002-9	RUBBER PIN 4		1	40169390			
093	232201-4	LEAF SPRING		1	73209090			

