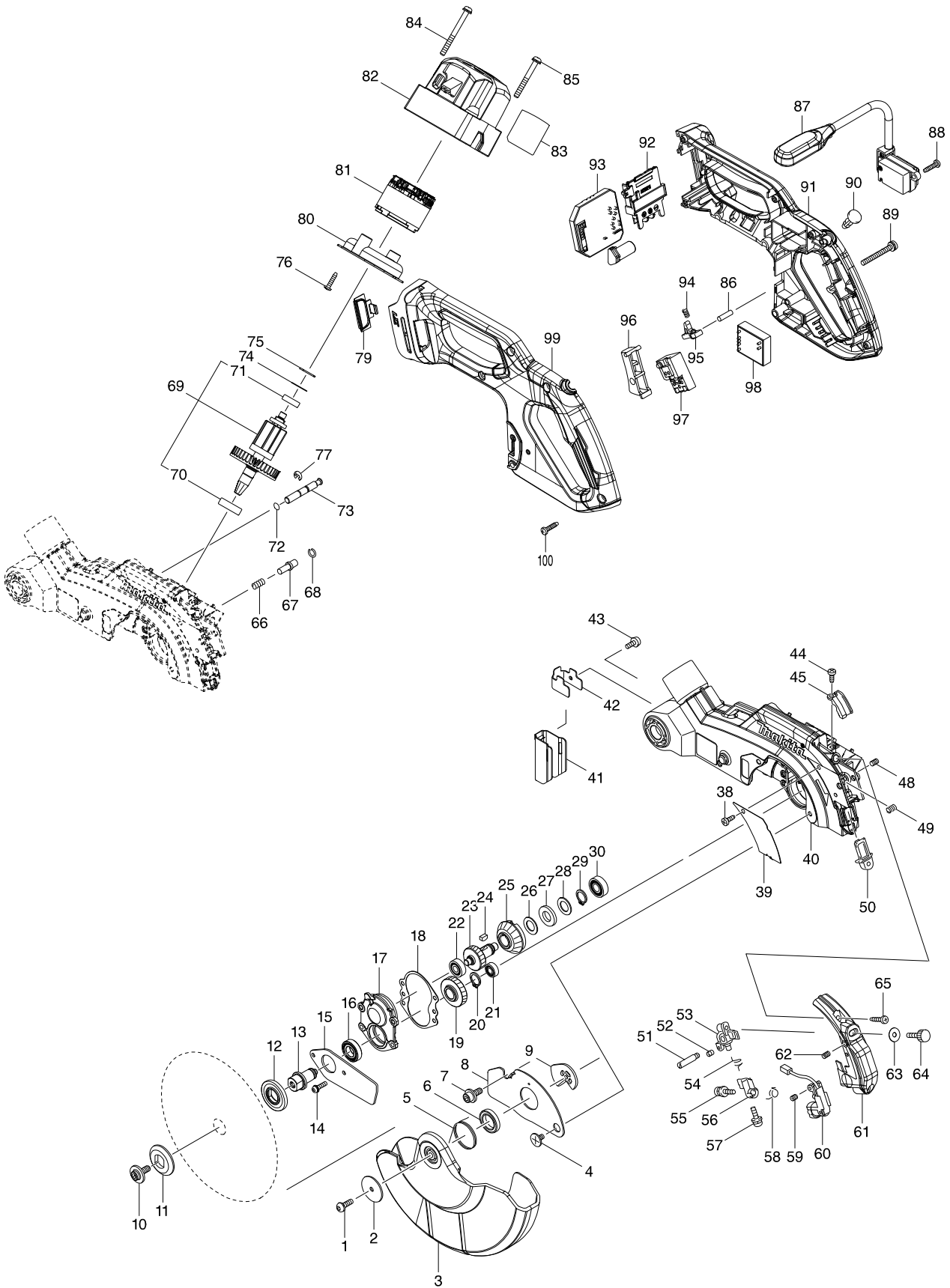
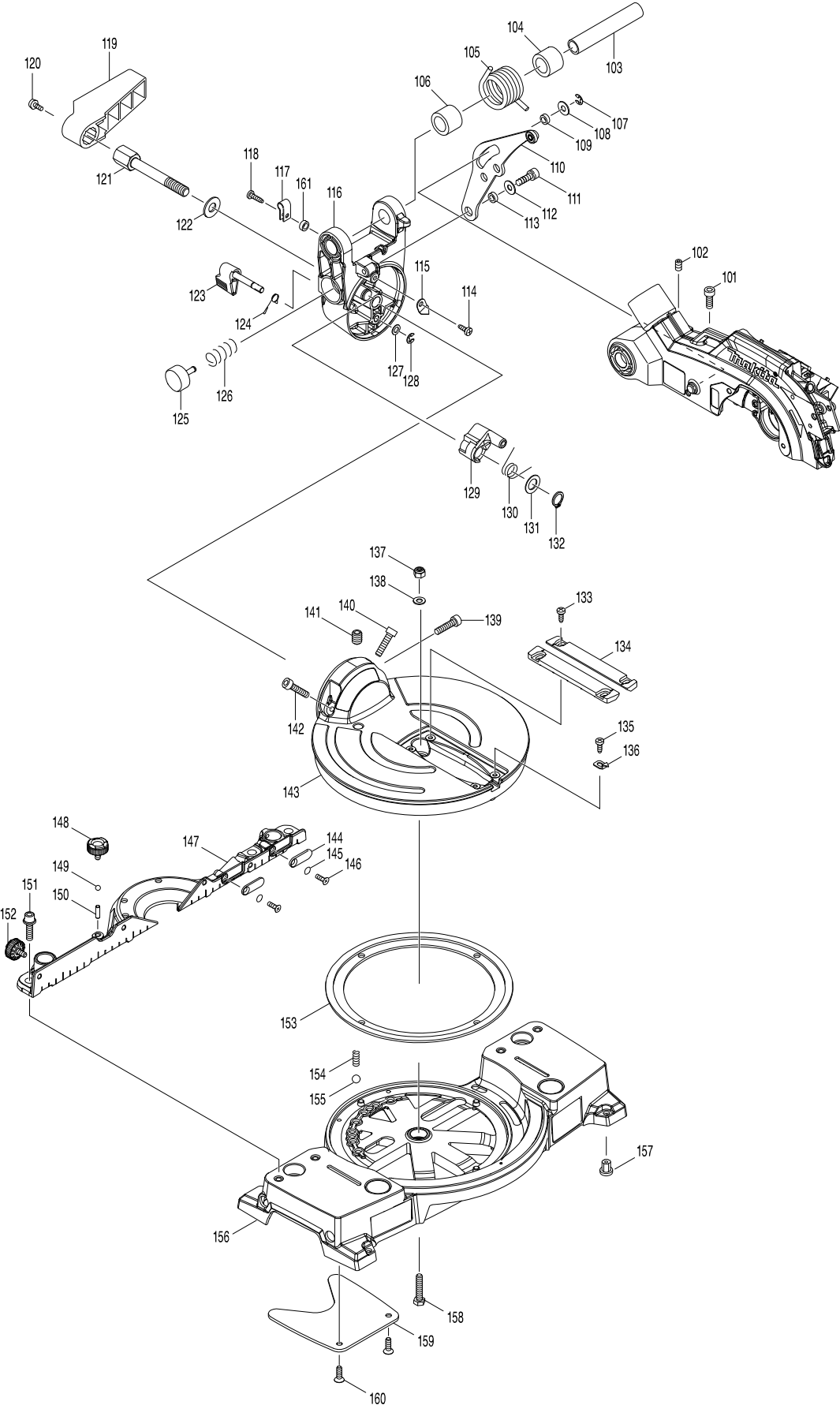


Model No. DLS600 165MM CORDLESS MITER SAW



Model No. DLS600 165MM CORDLESS MITER SAW



Model No. DLS600 165MM CORDLESS MITER SAW

Item	Parts No.	Description	I/C	QTY	N/O	Opt. 1	Opt. 2	NOTE
001	265491-4	H.S. BUTTON HEAD BOLT M5X16		1		73181500		
002	267136-0	FLAT WASHER 5		1		73182200		
003	458077-3	SAFETY COVER		1		73182990		
004	265008-3	+ FLAT HEAD SCREW M5		1		73181500		
005	232311-7	TORSION SPRING 30		1		73209090		
006	210150-5	BALL BEARING 6803DDW		1		84821090		
007	266732-1	HEX. SOCKET HEAD BOLT M6X16		1				
008	347060-4	CENTER COVER		1		73182990		
009	347059-9	CENTER PLATE		1		73182990		
010	266733-9	HEX. S.F.H. BOLT M6X16		1				
011	224409-4	OUTER FLANGE 35		1		73182990		
012	224593-5	INNER FLANGE 35		1		84669200		
013	325866-0	SPINDLE		1		84679900		
014	911128-8	P.H.SCREW M4X16 WITH WR		4		73181500		
015	347295-7	BEARING RETAINER		1		73262090		
016	211288-9	BALL BEARING 6901DDW		1		84821090		
017	318534-2	BEARING BOX		1		84833000		
018	442152-5	GASKET		1		40169390		
019	227727-9	HELICAL GEAR 39		1		84679900		
020	961052-5	RETAINING RING S-12		1		73182990		
021	210006-2	BALL BEARING 696ZZ		1		84821090		
022	210017-7	BALL BEARING 607DDW		1		84821090		
023	227726-1	HELICAL GEAR 31		1		84679900		
024	254011-9	WOODRUFF KEY 4		1		84679900		
025	227565-9	SPIRAL BEVEL GEAR 35		1				
026	253744-3	FLAT WASHER 12		1		84679900		
027	261104-5	RUBBER WASHER 12		1		73182990		
028	253744-3	FLAT WASHER 12		1		84679900		
029	961052-5	RETAINING RING S-12		1		73182990		
030	210005-4	BALL BEARING 608DDW		1		84821090		
038	266026-4	TAPPING SCREW BIND CT 4X12		1		73181500		
039	346171-2	COVER PLATE		1		73182990		
040	144796-4	BLADE CASE COMPLETE		1		73182990		
C10	263002-9	RUBBER PIN 4		4		40169390		
C20	263005-3	RUBBER PIN 6		1		40169390		
041	424870-7	GUARD		1		73182990		
042	347057-3	GUARD PLATE		1		73182990		
043	911113-1	PAN HEAD SCREW M4X10 WITH WR		1		73181500		
044	266026-4	TAPPING SCREW BIND CT 4X12		1		73181500		
045	458075-7	LEAD COVER		1		73182990		
048	266229-0	H.S.SET SCREW(CUP POINT)M5X8		1		73181500		
049	233471-8	COMPRESSION SPRING 6		1		73209090		
050	418104-8	LENS		1		90029000		
051	266306-8	SHOULDER SCREW M5		1		73181500		
052	266318-1	H.S.SET SCREW(FLAT POINT)M4X6		1		73181500		
053	419379-2	BLOCK C		1		84679900		
054	231664-1	TORSION SPRING 9		1		73209090		
055	911003-8	PAN HEAD SCREW M3X6		1		73181500		

Model No. DLS600 165MM CORDLESS MITER SAW

Item	Parts No.	Description	I/C	QTY	N/O	Opt. 1	Opt. 2	NOTE
056	419378-4	BLOCK B		1		84679900		
057	911003-8	PAN HEAD SCREW M3X6		1		73181500		
058	231664-1	TORSION SPRING 9		1		73209090		
059	266318-1	H.S.SET SCREW(FLAT POINT)M4X6		1		73181500		
060	638442-4	LASER CIRCUIT COMPLETE		1				
061	140344-7	LASER COVER COMPLETE		1		73182990		
062	266229-0	H.S.SET SCREW(CUP POINT)M5X8		1		73181500		
063	253807-5	FLAT WASHER 5		1		84679900		
064	265753-0	THUMB SCREW M5X24		1		73181500		
065	266042-6	TAPPING SCREW BIND CT 4X20		2		73181500		
066	231240-1	COMPRESSION SPRING 7		1		73209090		
067	256633-1	PIN 6		1		73182990		
068	231928-3	RING SPRING 8		1		73209090		
069	519400-8	ROTOR ASSEMBLY		1		85030090		
D10		INC. 70,71						
070	211131-2	BALL BEARING 6001DDW		1		84821090		
071	210017-7	BALL BEARING 607DDW		1		84821090		
072	213021-5	O RING 5		1		40169320		
073	326769-1	STOPPER PIN		1		73182400		
074	253842-3	FLAT WASHER 14		1		84679900		
075	261153-2	URETHAN WASHER 15		1				
076	265995-6	TAPPING SCREW 4X18		2		73181500		
077	961018-5	STOP RING E-5		1		73182990		
079	144033-6	INDICATION PLATE COMPLETE		1		83100090		
080	456908-0	BAFFLE PLATE		1		73182990		
081	629215-6	STATOR		1		85030090		
082	456910-3	MOTOR HOUSING		1		84679900		
083	853T32-4	DLS600 NAME PLATE		1				
084	911278-9	PAN HEAD SCREW M5X55		2				
085	911268-2	PAN HEAD SCREW M5X45		2		73181500		
086	256123-4	PIN 5		1		73182990		
087	620558-9	LED CIRCUIT		1		94051090		
088	265995-6	TAPPING SCREW 4X18		2		73181500		
089	911268-2	PAN HEAD SCREW M5X45		1		73181500		
090	417113-4	SWITCH BUTTON		1		39269099		
091	183E52-7	HANDLE SET		1		73182990		
C10	263005-3	RUBBER PIN 6		2		40169390		
D10		INC. 99						
092	643874-2	TERMINAL		1		73182990		
093	620761-2	CONTROLLER A		1		84679900		
094	231026-3	COMPRESSION SPRING 4		1		73209090		
095	416533-9	LOCK OFF LEVER		1		84679900		
096	416534-7	SWITCH LEVER		1				
097	650705-8	SWITCH TG73BDS-1		1				
098	620551-3	POWER SUPPLY CIRCUIT		1		85442090		
099	183E52-7	HANDLE SET		1		73182990		
C10	263005-3	RUBBER PIN 6		2		40169390		
D10		INC. 91						

Item	Parts No.	Description	I/C	QTY	N/O	Opt. 1	Opt. 2	NOTE
100	265995-6	TAPPING SCREW 4X18		6		73181500		
101	266757-5	HEX. SOCKET HEAD BOLT M6X16		1				
102	251961-9	H.S.SET SCREW(FLAT POINT)M6X10		1		73181500		
103	331350-5	PIN 16-90		1				
104	416535-5	SLEEVE 17		1				
105	232310-9	TORSION SPRING 28		1		73209090		
106	416535-5	SLEEVE 17		1				
107	961018-5	STOP RING E-5		1		73182990		
108	253804-1	FLAT WASHER 6		1		84679900		
109	257163-5	RING 6		1		73182990		
110	144791-4	LINK PLATE COMPLETE		1		73182990		
111	922331-6	HEX. SOCKET HEAD BOLT M6X20		1		73181500		
112	253804-1	FLAT WASHER 6		1		84679900		
113	257163-5	RING 6		1		73182990		
114	266026-4	TAPPING SCREW BIND CT 4X12		1		73181500		
115	347058-1	INDICATION PLATE		1	*	83100090		
115-1	458646-0	INDICATION PLATE	O	1				
116	144795-6	ARM COMPLETE		1		84679900		
C10	816438-7	OPERATIONAL INDICATION LABEL		1				
117	687045-1	STRAIN RELIEF		1				
118	266034-5	TAPPING SCREW CT 4X16		1		73181500		
119	416006-2	LEVER 100		1		84679900		
120	911113-1	PAN HEAD SCREW M4X10 WITH WR		1		73181500		
121	251495-2	HEX. BOLT M10		1		73181500		
122	253024-7	FLAT WASHER 10		1		84679900		
123	272266-4	LEVER 25		1		73182990		
124	233563-3	TORSION SPRING 8		1				
125	415208-7	RELEASE BUTTON		1		84679900		
126	233031-6	COMPRESSION SPRING 12		1		73209090		
127	253726-5	FLAT WASHER 6		1		84679900		
128	961018-5	STOP RING E-5		1		73182990		
129	318533-4	STOPPER		1		73182990		
130	231646-3	TORSION SPRING 14		1		73209090		
131	253744-3	FLAT WASHER 12		1		84679900		
132	961052-5	RETAINING RING S-12		1		73182990		
133	266026-4	TAPPING SCREW BIND CT 4X12		4		73181500		
134	456907-2	KERF BOARD		2		84679900		
135	266026-4	TAPPING SCREW BIND CT 4X12		1		73181500		
136	816128-2	POINTER		1		83100090		
137	252014-7	HEX. LOCK NUT M6-10		1		73181500		
138	941151-9	FLAT WASHER 6		1		73182200		
139	251582-7	HEX SOCKET HEAD BOLT M6X25		1		73181500		
140	251582-7	HEX SOCKET HEAD BOLT M6X25		1		73181500		
141	251966-9	H.S.SET SCREW(FLATPOINT)M10X12		1				
142	251582-7	HEX SOCKET HEAD BOLT M6X25		1		73181500		
143	144028-9	TURN BASE COMPLETE		1		84679900		
144	346169-9	FENCE PLATE		2		73182990		
145	213021-5	O RING 5		2		40169320		

Item	Parts No.	Description	I/C	QTY	N/O	Opt. 1	Opt. 2	NOTE
146	265156-8	+COUNTERSUNK HEAD SCREW M		2				
147	318537-6	GUIDE FENCE		1	84679900			
148	265785-7	THUMB SCREW M5X10		1	73181500			
149	216008-6	STEEL BALL 4		1	73182990			
150	256034-3	PIN 4		1				
151	922344-7	H.S.H.BOLT M6X25 WITH WG		4				
152	265785-7	THUMB SCREW M5X10		1	73181500			
153	450138-5	SLIDE PLATE		1				
154	231038-6	COMPRESSION SPRING 6		1				
155	216004-4	STEEL BALL 7.9		1	73182990			
156	144792-2	BASE COMPLETE		1	84679900			
C10	809V03-1	MITER SCALE PLATE		1				
C20	813L22-1	CAUTION LABEL		2				
C30	810486-8	CAUTION LABEL		1	39199090			
C40	810064-4	LASER BEAM CAUTION LABEL		1				
157	286255-3	CAP 13		4	40169990			
158	921352-5	HEX. BOLT M6X30		1				
159	144034-4	SUB PLATE COMPLETE		1	73182990			
160	912222-9	COUNTERSUNK HEAD SCREW M5X16		2	73181500			
161	257163-5	RING 6		1	73182990			
A01	122940-3	VICE ASS'Y		1				
C10	251887-5	SCREW M6X10		1	73181500			
C20	326006-3	WISE ROD		1				
C30	265733-6	THUMB SCREW M10X60		1				
C40	316938-2	WISE ARM		1	84679900			
C50	253804-1	FLAT WASHER 6		1	84679900			
C60	343651-9	WISE PLATE		1	73182990			
C70	251370-2	+ PAN HEAD SCREW M5		1	73181500			
A02	122884-7	DUST BAG ASSEMBLY		1				
C10	410602-8	FASTENER		1	73182990			
A03	762001-3	TRIANGULAR RULE		1	82031000			
A04	783208-8	HEX. WRENCH 2.5		1	73181500			
A05	783203-8	HEX. WRENCH 5		1	82041120			
A07	B-56487	TCT SAW BLADE 165X20X64T WOOD		1				
A08B	450128-8	BATTERY COVER		2	39269099			
A09B	***DC18RC	DC18RC FAST CHARGER		1				
A10B	198013-4	BATTERY BL1850B SET		2				