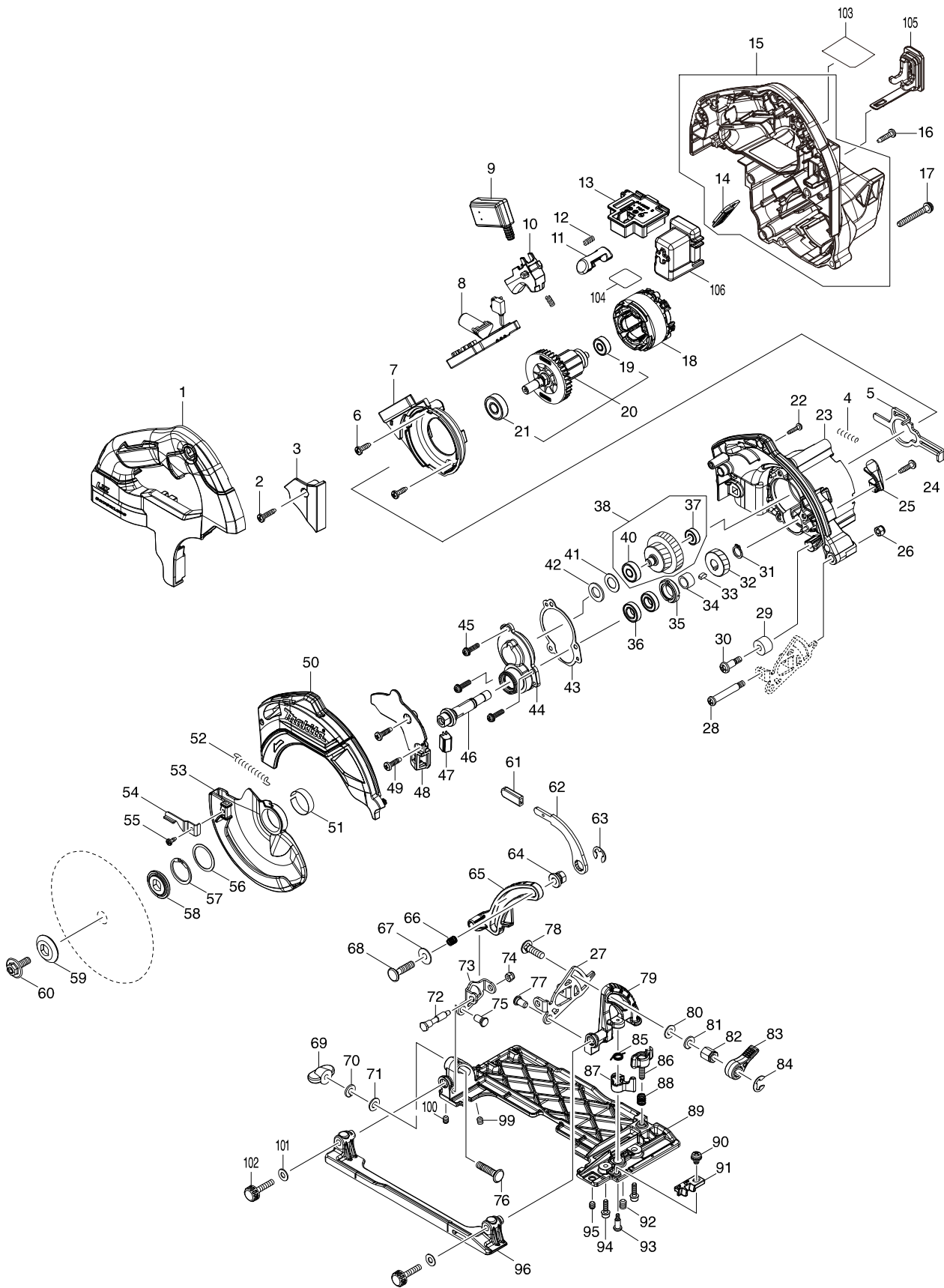


Model No. DHS475 125MM CORDLESS CIRCULAR SAW



Model No. DHS475 125MM CORDLESS CIRCULAR SAW

Item	Parts No.	Description	I/C	QTY	N/O	Opt. 1	Opt. 2	NOTE
001	183L58-7	MOTOR HOUSING HANDLE COVER SI		1				
C10	263005-3	RUBBER PIN 6		2	40169390			
D10		INC. 14,15						
002	265995-6	TAPPING SCREW 4X18		1	73181500			
003	459255-8	LEAD COVER		1				
004	233117-6	COMPRESSION SPRING 6		1	73209090			
005	347512-5	SHAFT LOCK		1				
006	266192-7	TAPPING SCREW 4X14		2	73181500			
007	459252-4	BAFFLE PLATE		1				
008	620A81-0	CONTROLLER		1				
009	651083-9	SWITCH C3XA-1PSPM		1	85365000			
010	458594-3	SWITCH LEVER		1	73182990			
011	459264-7	LOCK OFF BUTTON		1				
012	231433-0	COMPRESSION SPRING 4		2	73209090			
013	644809-6	TERMINAL		1				
014	144251-6	INDICATION PLATE COMPLETE		1	83100090			
015	183L58-7	MOTOR HOUSING HANDLE COVER SI		1				
C10	263005-3	RUBBER PIN 6		2	40169390			
D10		INC. 1,14						
016	265995-6	TAPPING SCREW 4X18		6	73181500			
017	911263-2	PAN HEAD SCREW M5X40		3	73181500			
018	629404-3	STATOR		1				
019	211012-0	BALL BEARING 606ZZ		1	84821090			
020	519555-9	ROTOR ASSY		1				
D10		INC. 19,21						
021	210051-7	BALL BEARING 609LLB		1				
022	266404-8	TAPPING SCREW BIND 3X14		3	73181500			
023	140J73-2	GEAR HOUSING COMPLETE		1				
C10	213953-6	O RING 24		1	40169320			
024	266034-5	TAPPING SCREW CT 4X16		1	73181500			
025	459257-4	DUCT		1				
026	252103-8	HEX. LOCK NUT M5-8		1	73181500			
027	347510-9	ANGULER GUIDE		1				
028	265056-2	+ PAN HEAD SCREW M5		1	73181500			
029	262511-5	RUBBER SLEEVE 6		1	73182990			
030	265115-2	+ PAN HEAD SCREW M5		1				
031	961006-2	RETAINING RING S-10		1	73182990			
032	226882-4	HELICAL GEAR 22		1				
033	254031-3	WOODRUFF KEY 3		1				
034	257728-3	SLEEVE 10		1				
035	285847-5	BEARING RETAINER 14-23		1	84679900			
036	211485-7	BALL BEARING 6800LLU		2	84821090			
037	210033-9	BALL BEARING 696ZZ		1	84821090			
038	136113-2	GEAR ASSY		1				
D10		INC. 37,40						
040	210062-2	BALL BEARING 607ZZ		1	84821090			
041	253376-6	FLAT WASHER 11		1				
042	262180-2	RUBBER RING 11		1				

Model No. DHS475 125MM CORDLESS CIRCULAR SAW

Item	Parts No.	Description	I/C	QTY	N/O	Opt. 1	Opt. 2	NOTE
043	459253-2	GASKET		1				
044	140J72-4	BEARING BOX COMPLETE		1				
C10	263002-9	RUBBER PIN 4		1	40169390			
045	911128-8	P.H.SCREW M4X16 WITH WR		3	73181500			
046	327339-9	SPINDLE		1				
047	620A84-4	LED CIRCUIT		1				
048	459258-2	LIGHT CASE		1				
049	266034-5	TAPPING SCREW CT 4X16		2	73181500			
050	459251-6	BLADE COVER		1				
051	346679-6	THICKNESS RING 23		1				
052	231792-2	TENSION SPRING 3		1				
053	454396-5	SAFETY COVER		1				
054	272277-9	LEVER 33		1				
055	265954-0	TAPPING SCREW BIND PT3X8		1	73181500			
056	267471-6	FLAT WASHER 23		1				
057	961122-0	RETAINING RING S-22		1				
058	224417-5	INNER FLANGE 28		1				
059	224421-4	OUTER FLANGE 28		1				
060	266458-5	HEX.SOCKET HEX.BOLT M6X18		1	73181500			
061	286036-5	CAP		1	40169390			
062	347087-4	LEVER PLATE		1				
063	257982-9	BOW STOP RING E-8		1				
064	252265-2	HEX. NUT M6		1	73181500			
065	319818-1	DEPTH GUIDE		1				
066	232556-7	COMPRESSION SPRING 6		1				
067	253047-5	FLAT WASHER 6		1	84679900			
068	266931-5	FLAT HEAD SQ. NECK BOLT M6X25		1				
069	252631-3	THUMB NUT M6		1				
070	942151-2	SPRING WASHER 6		1	73182200			
071	941151-9	FLAT WASHER 6		1	73182200			
072	266932-3	HEX. BOLT M4		1				
073	347511-7	REAR ANGULAR GUIDE		1				
074	252126-6	HEX. LOCKING NUT M4-7		1	73181500			
075	256336-7	SHOULDER PIN 6-7		1				
076	266018-3	F. HEAD SQUARE NECK BOLT M6X26		1	73181500			
077	256336-7	SHOULDER PIN 6-7		1				
078	251919-8	CAP SQUARE NECK BOLT M6X20		1	73181500			
079	319819-9	ANGULAR PLATE		1				
080	941151-9	FLAT WASHER 6		1	73182200			
081	942151-2	SPRING WASHER 6		1	73182200			
082	252133-9	HEX. NUT M6		1				
083	272251-7	LEVER 30		1				
084	961014-3	STOP RING E-8		1	73182990			
085	231661-7	TORSION SPRING 9		1				
086	265761-1	THUMB SCREW M5X16		1	73181500			
087	317574-7	STOPPER		1				
088	231456-8	COMPRESSION SPRING 7		1				
089	319814-9	BASE		1				

