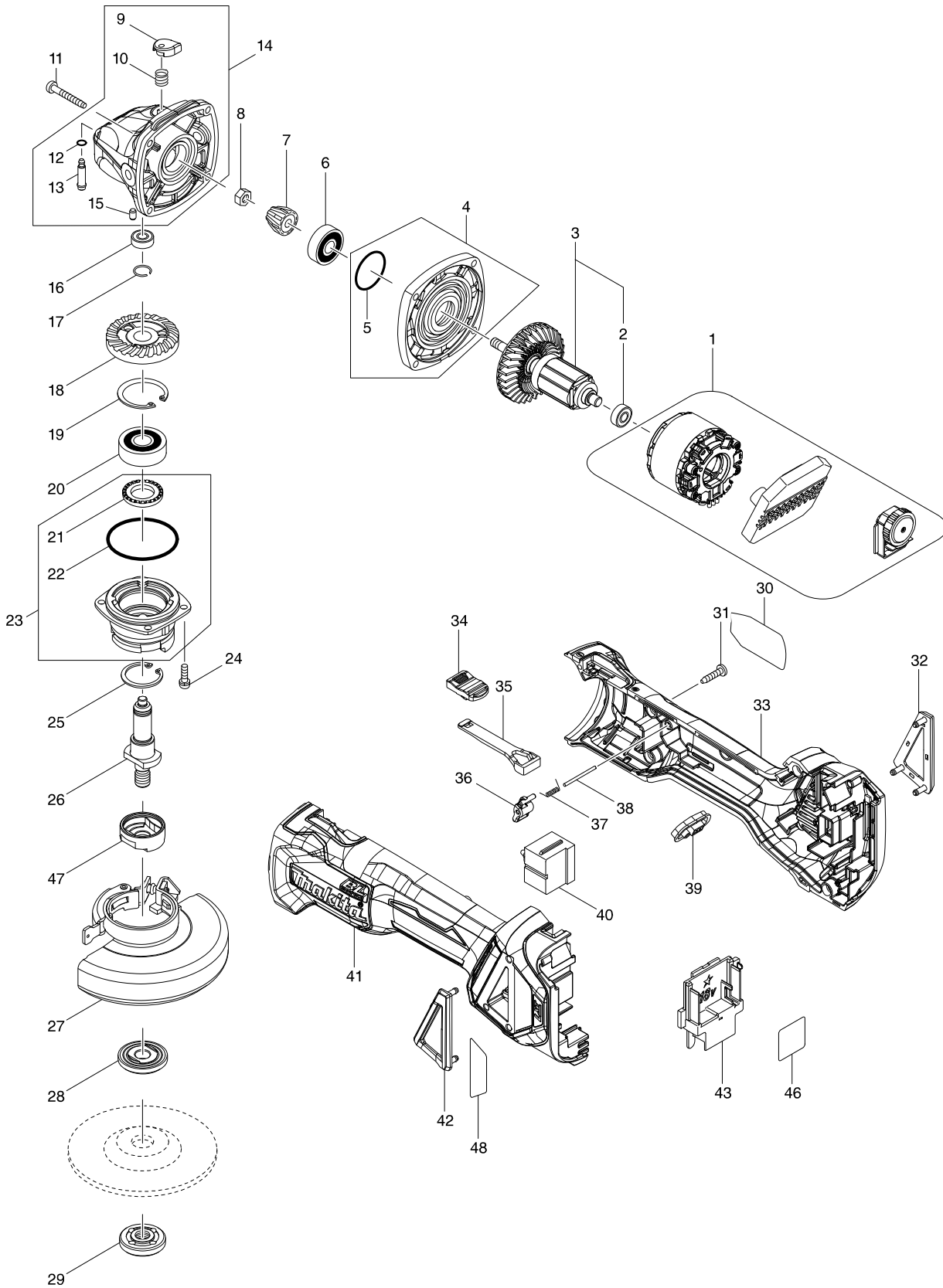


Model No. DGA413 100MM CORDLESS ANGLE GRINDER



Model No. DGA413 100MM CORDLESS ANGLE GRINDER

Item	Parts No.	Description	I/C	QTY	N/O	Opt. 1	Opt. 2	NOTE
001	629298-6	STATOR COMPLETE		1		85030090		
002	211021-9	BALL BEARING 607LLB		1		84821090		
003	510300-5	ROTOR ASS'Y		1		85030090		
D10		INC. 2						
004	135930-7	GEAR HOUSING COVER ASSEMBLY		1		84679900		
D10		INC. 5						
005	213445-5	O-RING 26		1		40169320		
006	210042-8	BALL BEARING 629LLB		1		84821090		
007	227541-3	SPIRAL BEVEL GEAR 10		1	*	84679900		
007-1	226861-2	SPIRAL BEVEL GEAR 10	S	1				
008	252186-8	HEX. NUT M6		1		73181500		
009	417771-6	PIN CAP		1		40169390		
010	233072-2	COMPRESSION SPRING 8		1		73209090		
011	266361-0	TAPPING SCREW 4X30		4		73181500		
012	213960-9	O RING 5		1		40169320		
013	256546-6	SHOULDER PIN 4		1				
014	135929-2	GEAR HOUSING ASSEMBLY		1		84834000		
D10		INC. 9,10,12,13,15						
015	263002-9	RUBBER PIN 4		1		40169390		
016	210006-2	BALL BEARING 696ZZ		1		84821090		
017	233950-6	RING SPRING 11		1		73209090		
018	227641-9	SPIRAL BEVEL GEAR 37		1	*			
018-1	226862-0	SPIRAL BEVEL GEAR 37	S	1				
019	962151-6	RETAINING RING R-32		1		73182990		
020	211129-9	BALL BEARING 6201DDW		1		84821090		
021	262153-5	FELT RING 16		1		73182990		
022	213622-9	O RING 45		1		40169320		
023	135949-6	BEARING BOX ASSEMBLY		1		84833000		
D10		INC. 21,22						
024	911121-2	PAN HEAD SCREW M4X14		4		73181500		
025	962105-3	RETAINING RING R-26		1		73182990		
026	326669-5	SPINDLE		1		84679900		
027	122893-6	TOOLLESS WHEEL COVER 100K ASS		1		84679900		
C10	213009-5	O RING 4		1		40169320		
C20	265180-1	PAN HEAD SCREW M5X16		1		73181500		
028	224483-2	INNER FLANGE 30		1		73182990		
029	224559-5	LOCK NUT 10-30		1		73181600		
030	853X16-6	DGA413 NAME PLATE		1				
031	266326-2	TAPPING SCREW 4X18		5		73181500		
032	455450-8	DUST COVER R		1				
033	183H83-4	HOUSING SET		1		84679900		
C10	263005-3	RUBBER PIN 6		2		40169390		
D10		INC. 41						
034	455447-7	SWITCH KNOB		1				
035	455446-9	SWITCH LEVER		1				
036	455448-5	LEVER		1				
037	231679-8	TORSION SPRING 2		1				
038	268330-7	PIN 2		1				

