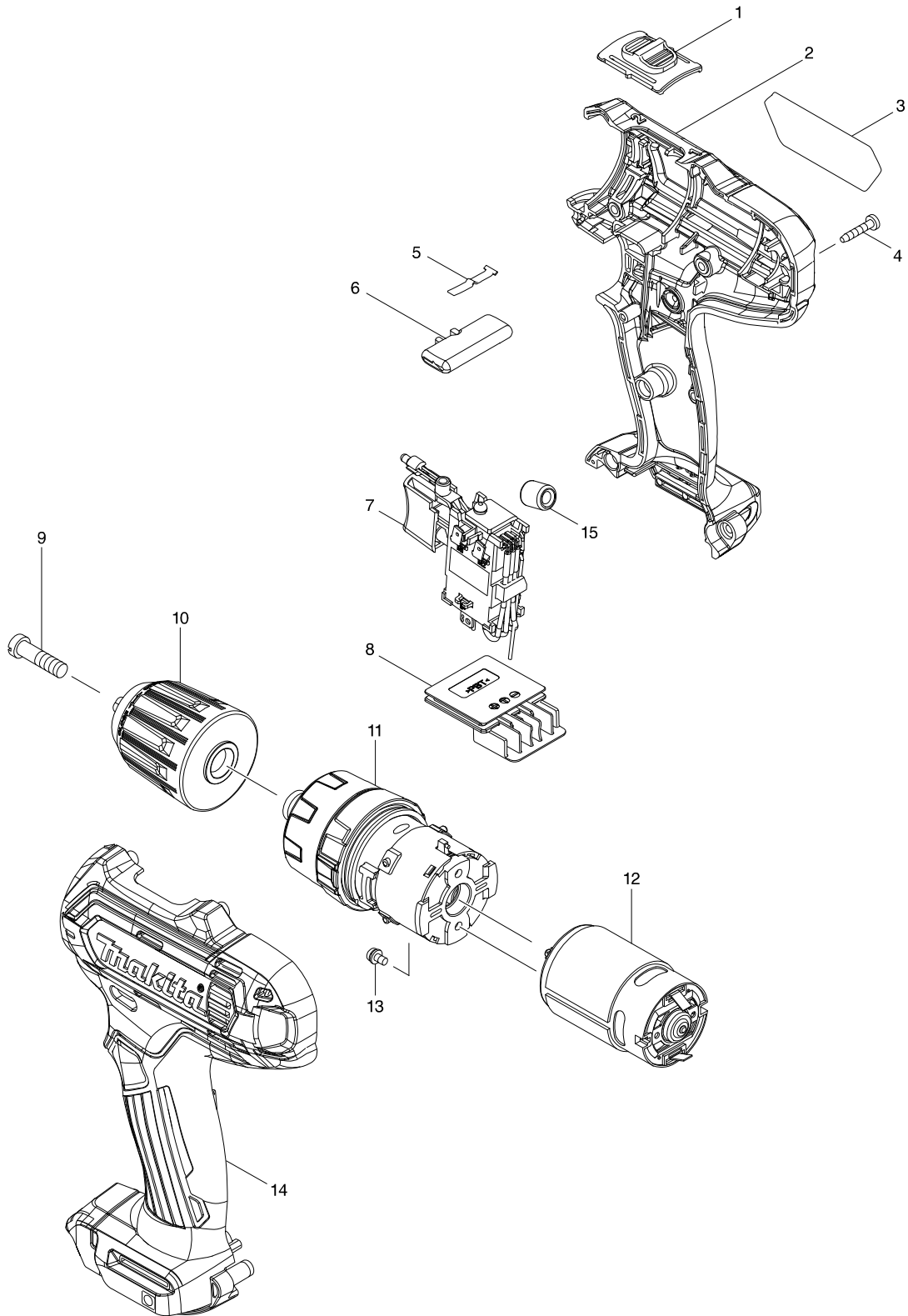


Model No. HP331D CORDLESS HAMMER DRIVER DRILL



Model No. HP331D CORDLESS HAMMER DRIVER DRILL

Item	Parts No.	Description	I/C	QTY	N/O	Opt. 1	Opt. 2	NOTE
001	126233-0	SPEED CHANGE LEVER ASSEMBLY		1		84679900		
C10	231433-0	COMPRESSION SPRING 4		2		73209090		
002	183B50-3	HOUSING SET		1		84679900		
C10	252126-6	HEX. LOCKING NUT M4-7		2		73181500		
D10		INC. 14						
003	851H13-0	HP331D NAME PLATE		1	*			
003-1	851H12-2	HP331D NAME PLATE	<	1				
004	266429-2	TAPPING SCREW 3X16		9		73181500		
005	232239-9	LEAF SPRING		1		73209090		
006	456039-5	F/R CHANGE LEVER		1		73182990		
007A	632F43-6	SWITCH UNIT		1	*	85366990		
C10	620463-0	LED CIRCUIT		1	*	94051090		
007B	632F43-6	SWITCH UNIT		1	*	85366990		
C10	620463-0	LED CIRCUIT		1	*	94051090		
C20	632F65-6	LINE FILTER UNIT		1	*	73182990		
007C	632F43-6	SWITCH UNIT		1	*	85366990		
C10	620463-0	LED CIRCUIT		1	*	94051090		
007D	632F43-6	SWITCH UNIT		1	*	85366990		
C10	620463-0	LED CIRCUIT		1	*	94051090		
007E	632J77-3	SWITCH UNIT		1		85381090		
C10	620625-0	LED CIRCUIT		1		94059900		
007-1A	632J77-3	SWITCH UNIT	<	1		85381090		
C10	620625-0	LED CIRCUIT		1		94059900		
007-1B	632J77-3	SWITCH UNIT	<	1		85381090		
C10	620625-0	LED CIRCUIT		1		94059900		
C20	632F65-6	LINE FILTER UNIT		1	*	73182990		
007-1C	632J77-3	SWITCH UNIT	<	1		85381090		
C10	620625-0	LED CIRCUIT		1		94059900		
007-1D	632J77-3	SWITCH UNIT	<	1		85381090		
C10	620625-0	LED CIRCUIT		1		94059900		
008	644813-5	TERMINAL		1		73182990		
009	251468-5	- FLAT HEAD SCREW M6X22		1		73181500		
010	763229-6	KEYLESS DRILL CHUCK 10		1		82079090		
011	123502-0	GEAR ASS'Y		1		84679900		
012	629167-1	DC MOTOR		1		85011019		
013	911003-8	PAN HEAD SCREW M3X6		2		73181500		
014	183B50-3	HOUSING SET		1		84679900		
C10	252126-6	HEX. LOCKING NUT M4-7		2		73181500		
D10		INC. 2						
A01	251314-2	+ SCREW M4X12		1		73181500		
A02	346909-5	HOOK		1		73269099		
A03	784244-7	+ BIT 2-50		1		82075000		
A04A	456128-6	BATTERY COVER		1				
A04C	456128-6	BATTERY COVER		1				
A04D	456128-6	BATTERY COVER		1				
A04E	456128-6	BATTERY COVER		1				
A05A	***DC10WD	DC10WD BATTERY CHARGER		1				
D10		COMPO-PARTS						

