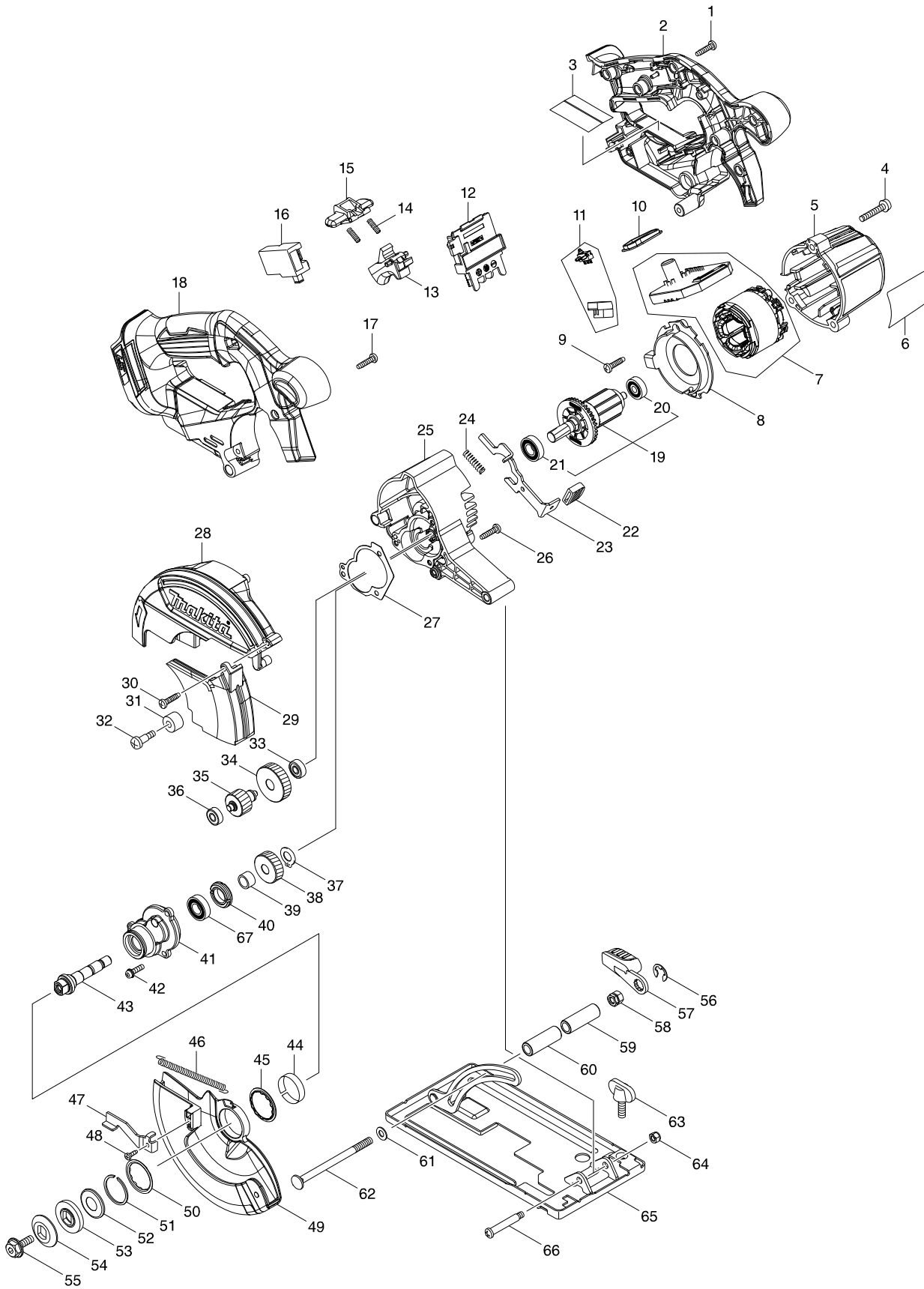


Model No. DCS551 150MM CORDLESS METAL CUTTER



Model No. DCS551 150MM CORDLESS METAL CUTTER

Item	Parts No.	Description	I/C	QTY	N/O	Opt. 1	Opt. 2	NOTE
001	265995-6	TAPPING SCREW 4X18		8		73181500		
002	183B24-4	HANDLE SET		1				
C10	263005-3	RUBBER PIN 6		2		40169390		
D10		INC. 18						
004	911253-5	PAN HEAD SCREW M5X30		3		73181500		
005	455900-3	MOTOR HOUSING		1				
006	850X99-7	DCS551 NAME PLATE		1				
007	632E36-7	STATOR UNIT		1				
008	455897-6	BAFFLE PLATE		1				
009	265995-6	TAPPING SCREW 4X18		2		73181500		
010	142948-1	INDICATION PLATE COMPLETE		1				
011	632E44-8	SWITCH UNIT		1				
012	643899-6	TERMINAL		1		85369090		
013	455480-9	SWITCH LEVER		1				
014	231469-9	COMPRESSION SPRING 4		2		73209090		
015	419664-3	LOCK OFF LEVER		1		73182990		
016	650734-1	SWITCH TG73BDS-2		1				
017	265995-6	TAPPING SCREW 4X18		2		73181500		
018	183B24-4	HANDLE SET		1				
C10	263005-3	RUBBER PIN 6		2		40169390		
D10		INC. 2						
019	519365-4	ROTOR ASS'Y		1	*			
D10		INC. 20,21			*			
019-1	519530-5	ROTOR ASS'Y	<	1				
D10		INC. 20,21						
020	210022-4	BALL BEARING 626DDW		1		84821090		
021	210069-8	BALL BEARING 6900DDW		1		84821090		
022	286275-7	CAP		1		40169390		
023	346885-3	SHAFT LOCK		1				
024	233117-6	COMPRESSION SPRING 6		1		73209090		
025	143229-6	GEAR HOUSING COMPLETE		1				
C10	213961-7	O RING 22		1		40169320		
026	265995-6	TAPPING SCREW 4X18		2		73181500		
027	424715-9	GASKET		1				
028	455899-2	BLADE CASE		1				
029	455898-4	BLADE COVER		1				
030	265995-6	TAPPING SCREW 4X18		1		73181500		
031	262511-5	RUBBER SLEEVE 6		1		73182990		
032	265115-2	+ PAN HEAD SCREW M5		1				
033	210065-6	BALL BEARING 625ZZ		1		84821090		
034	227809-7	HERICAL GEAR 30		1				
035	227807-1	HERICAL GEAR 17		1				
036	210033-9	BALL BEARING 696ZZ		1		84821090		
037	961005-4	RETAINING RING S-9		1		73182990		
038	227808-9	HERICAL GEAR 24		1				
039	257728-3	SLEEVE 10		1				
040	285847-5	BEARING RETAINER 14-23		1		84679900		
041	143228-8	BEARING BOX COMPLETE		1				

