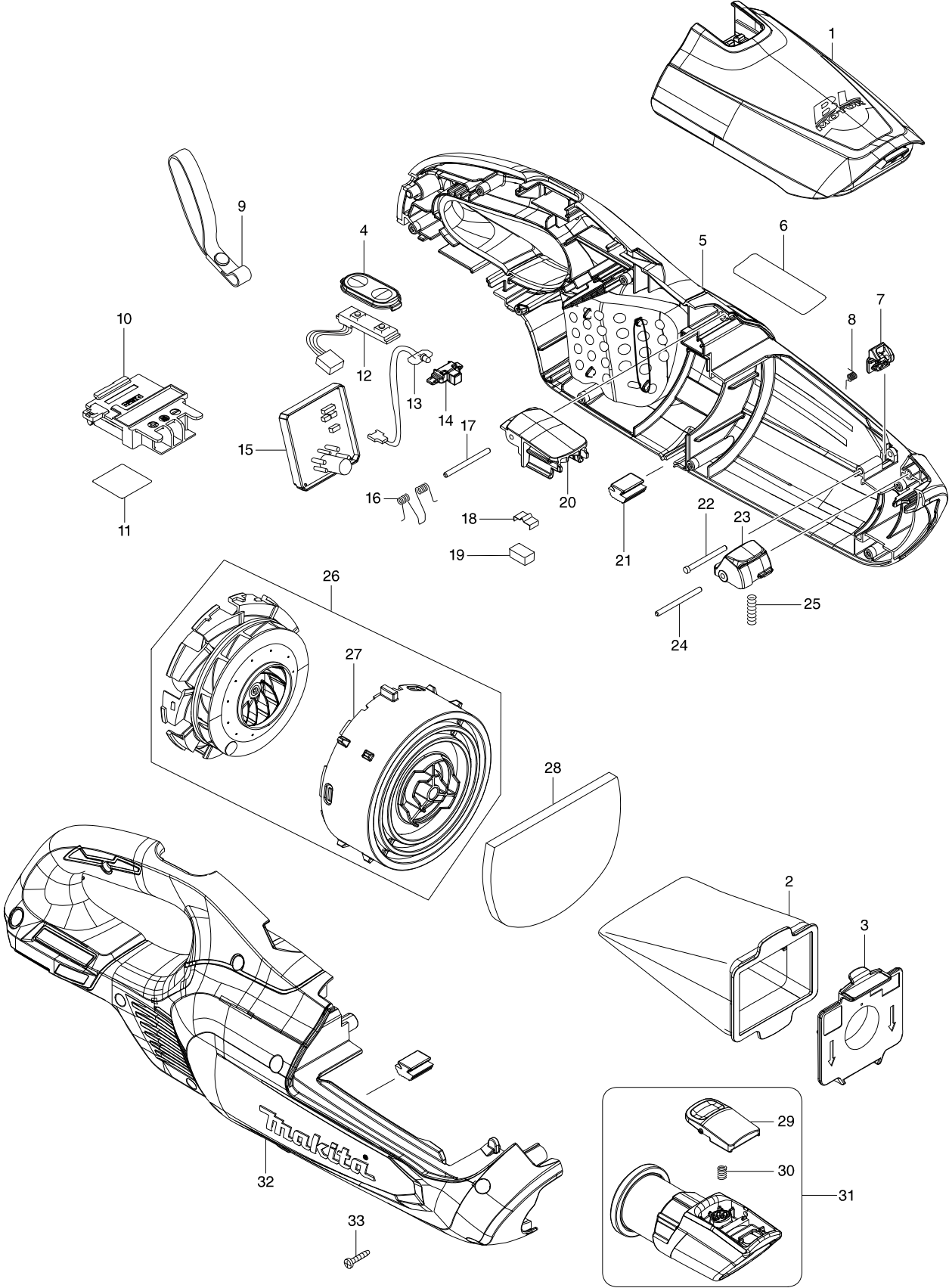


Model No. DCL282F CORDLESS CLEANER



Model No. DCL282F CORDLESS CLEANER

Item	Parts No.	Description	I/C	QTY	N/O	Opt. 1	Opt. 2	NOTE
001	140L56-4	FRONT COVER COMPLETE		1				
C10	424093-7	SEAL		1	40169390			
002	166119-6	EASY SHAKE OFF DUST BAG		1				
003	140K23-3	VALVE STAY COMPLETE		1				
004	144096-2	SWITCH PLATE COMPLETE		1	39269099			
005	183L70-7	HOUSING SET		1				
C10	263005-3	RUBBER PIN 6		2	40169390			
C20	422458-7	SPONGE SHEET 55-80		2				
C30	213008-7	O RING 22.4		2	40169320			
D10		INC. 21,32						
006	855T39-6	DCL282F NAME PLATE		1				
007	459327-9	STOPPER PLATE		1				
008	232484-6	TORSION SPRING 4		1				
010	643874-2	TERMINAL		1	73182990			
011	855T46-9	DCL282F SERIAL NO. LABEL		1				
012	620A77-1	SWITCH UNIT		1				
013	620A76-3	LED CIRCUIT		1				
014	459478-8	LENS CASE		1				
015	620A75-5	CONTROLLER		1				
016	233580-3	TORSION SPRING 4		1	73209090			
017	268271-7	PIN 3		1	73182990			
018	232264-0	LEAF SPRING		1	73209090			
019	424367-6	RUBBER		1	40169390			
020	459330-0	FRONT COVER JOINT		1				
021	422460-0	RUBBER PLATE		2				
022	256590-3	FLAT FILLISTER HD. PIN 3		1				
023	459329-5	BUTTON B		1				
024	268271-7	PIN 3		1	73182990			
025	233344-5	COMPRESSION SPRING 4		1	73209090			
026	136092-4	MOTOR ASS'Y		1				
D10		INC. 27						
027	459322-9	FAN COVER		1				
028	424804-0	SUPONGE SHEET 76-110		1				
029	458939-5	BUTTON A		1				
030	232485-4	COMPRESSION SPRING 5		1				
031	136095-8	INLET ASS'Y		1				
C10	424094-5	PACKING		1	48195090			
D10		INC. 29,30						
032	183L70-7	HOUSING SET		1				
C10	263005-3	RUBBER PIN 6		2	40169390			
C20	422458-7	SPONGE SHEET 55-80		2				
C30	213008-7	O RING 22.4		2	40169320			
D10		INC. 5,21						
033	266429-2	TAPPING SCREW 3X16		9	73181500			
A01	123486-2	FLOOR T-NOZZLE 28 WHI		1	84679900			
C10	451410-8	ROLLER		4	84679900			
C20	268208-4	PIN 3		4	73182990			
C30	424096-1	WIPER		1	84679900			

