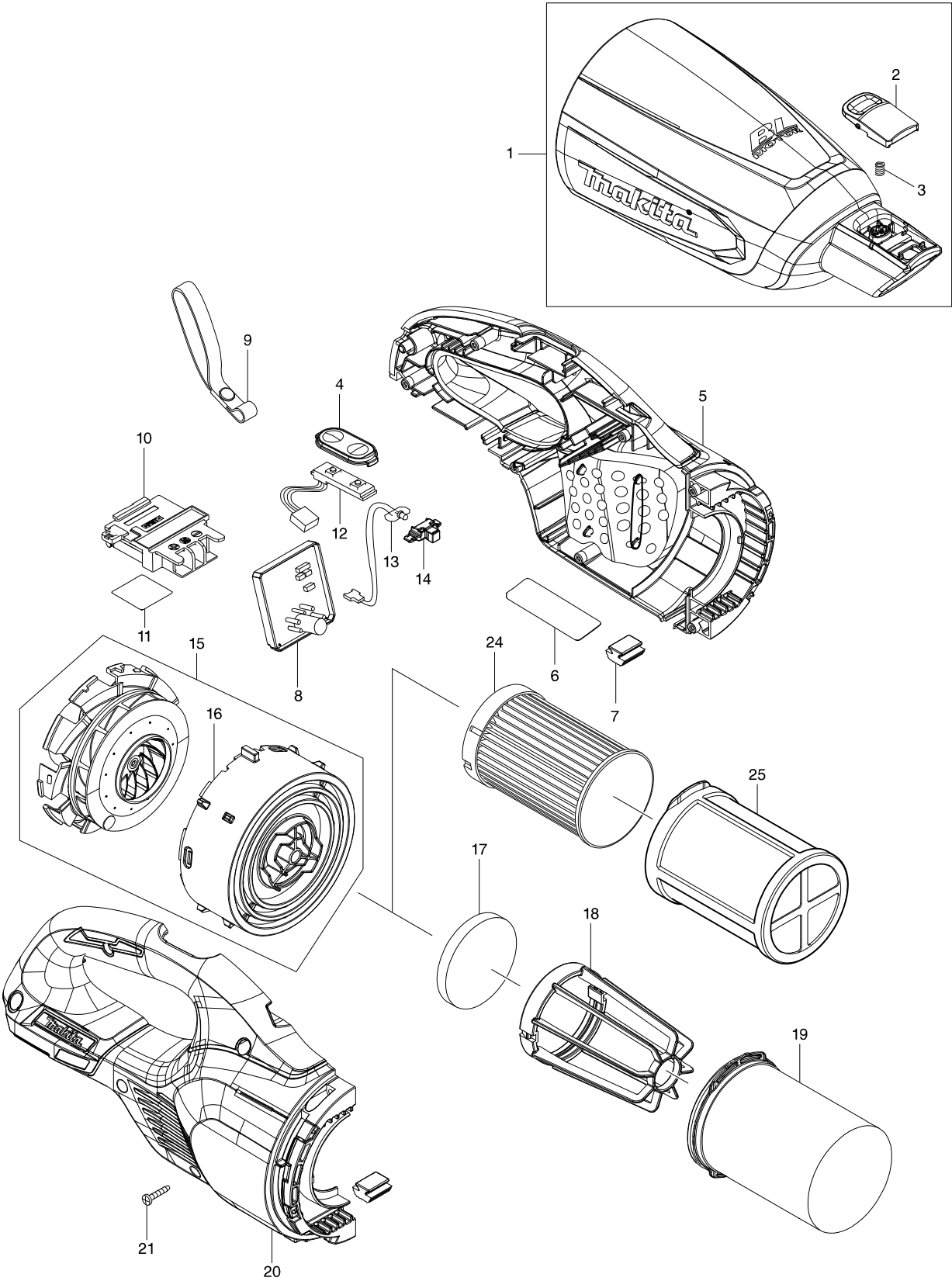


Model No. DCL281F CORDLESS CLEANER



Model No. DCL281F CORDLESS CLEANER

Item	Parts No.	Description	I/C	QTY	N/O	Opt. 1	Opt. 2	NOTE
001	136096-6	CAPSULE COMPLETE ASS'Y		1				
C10	266326-2	TAPPING SCREW 4X18		1		73181500		
C20	424208-6	VALVE		1				
C30	941051-3	FLAT WASHER 4		1		73182200		
D10		INC. 2,3						
002	458939-5	BUTTON A		1				
003	232485-4	COMPRESSION SPRING 5		1				
004	144096-2	SWITCH PLATE COMPLETE		1		39269099		
005	183L71-5	HOUSING SET		1				
C10	263005-3	RUBBER PIN 6		2		40169390		
C20	422458-7	SPONGE SHEET 55-80		2				
C30	213008-7	O RING 22.4		2		40169320		
D10		INC. 7,20						
006	855T19-2	DCL281F NAME PLATE		1				
007	422460-0	RUBBER PLATE		2				
008	620A75-5	CONTROLLER		1				
010	643874-2	TERMINAL		1		73182990		
011	855T26-5	DCL281F SERIAL NO. LABEL		1				
012	620A77-1	SWITCH UNIT		1				
013	620A76-3	LED CIRCUIT		1				
014	459478-8	LENS CASE		1				
015	136092-4	MOTOR ASS'Y		1				
D10		INC. 16						
016	459322-9	FAN COVER		1				
017	422268-2	SPONGE SHEET 57		1				
018	458467-0	STAY		1				
019	199966-0	HIGH PERFORMANCE FILTER SET		1				
020	183L71-5	HOUSING SET		1				
C10	263005-3	RUBBER PIN 6		2		40169390		
C20	422458-7	SPONGE SHEET 55-80		2				
C30	213008-7	O RING 22.4		2		40169320		
D10		INC. 5,7						
021	266429-2	TAPPING SCREW 3X16		7		73181500		
A01	123486-2	FLOOR T-NOZZLE 28 WHI		1		84679900		
C10	451410-8	ROLLER		4		84679900		
C20	268208-4	PIN 3		4		73182990		
C30	424096-1	WIPER		1		84679900		
A02	451240-7	SASH NOZZLE 28 WHI		1		84679900		
A03	459353-8	PIPE		1				
A04	459354-6	NOZZLE HOLDER		1				
A05	450128-8	BATTERY COVER		1		39269099		
A06	***DC18RC	DC18RC FAST CHARGER		1				
D10		COMPO-PARTS						
A07	197605-6	BATTERY BL1830B SET		1		85076000		