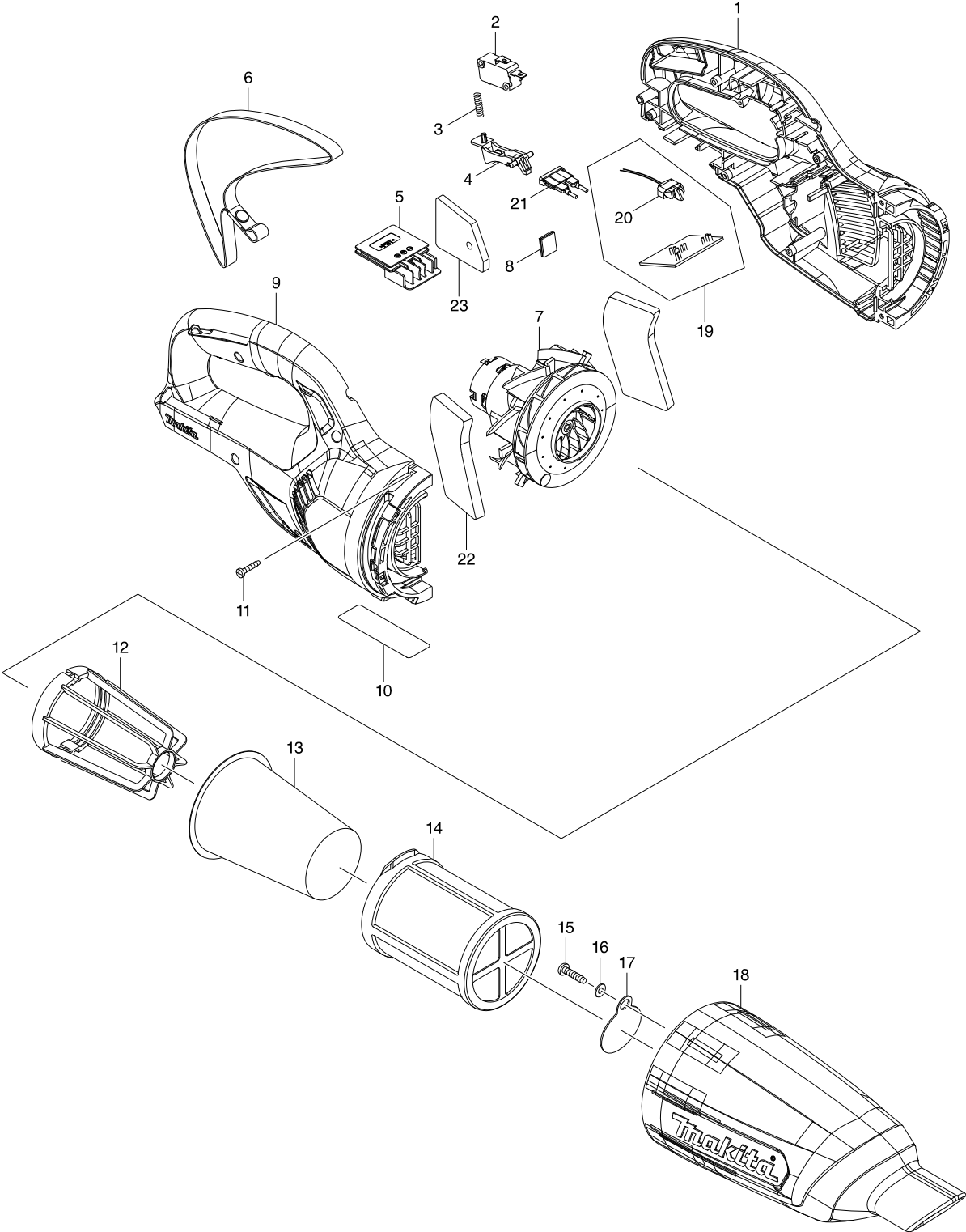


Model No. CL106FD CORDLESS CLEANER



Model No. CL106FD CORDLESS CLEANER

Item	Parts No.	Description	I/C	QTY	N/O	Opt. 1	Opt. 2	NOTE
001A	183E88-6	HOUSING SET		1		84679900		
001C	183E86-0	HOUSING SET		1				
001D	183E86-0	HOUSING SET		1				
D10		INC. 9						
002	650744-8	SWITCH D3V-16-3C26		1		85365090		
003	231473-8	COMPRESSION SPRING 4		1		73209090		
004	455743-3	SWITCH LEVER		1				
005	644813-5	TERMINAL		1		73182990		
007	123849-2	MOTOR ASSEMBLY		1		84679900		
008	424248-4	SPONGE SHEET 15-25		1		40169390		
009A	183E88-6	HOUSING SET		1		84679900		
009C	183E86-0	HOUSING SET		1				
009D	183E86-0	HOUSING SET		1				
D10		INC. 1						
010	852S17-1	CL106FD NAME PLATE		1				
011	266429-2	TAPPING SCREW 3X16		7		73181500		
012A	410237-5	STAY		1	*			
012-1A	458467-0	STAY	<	1				
012-1C	458467-0	STAY		1				
012-1D	458467-0	STAY		1				
013	443060-3	FILTER		1				
014	451208-3	PRE-FILTER		1				
015	265995-6	TAPPING SCREW 4X18		1		73181500		
016	941051-3	FLAT WASHER 4		1		73182200		
017	424208-6	VALVE		1				
018A	457281-1	CAPSULE		1		84679900		
018C	457145-9	CAPSULE		1				
018D	457145-9	CAPSULE		1				
019	632H48-8	CONTROLLER UNIT		1		84679900		
D10		INC. 20						
020	620601-4	LED CIRCUIT		1				
021	632H63-2	FUSE UNIT		1		84679900		
022	424913-5	SPONGE SHEET 35-70		2		40169390		
023	422150-5	SPONGE SHEET 38-43		1		40169390		
024A	422268-2	SPONGE SHEET 57		1				
024C	422268-2	SPONGE SHEET 57		1				
024D	422268-2	SPONGE SHEET 57		1				
A01A	123488-8	FLOOR T-NOZZLE 28 BLU		1		84679900		
A01C	123486-2	FLOOR T-NOZZLE 28 WHI		1		84679900		
A01D	123486-2	FLOOR T-NOZZLE 28 WHI		1		84679900		
C10	451410-8	ROLLER		4		84679900		
C20	268208-4	PIN 3		4		73182990		
C30	424096-1	WIPER		1		84679900		
A02A	451243-1	SASH NOZZLE 28 BLU		1		84679900		
A02C	451240-7	SASH NOZZLE 28 WHI		1		84679900		
A02D	451240-7	SASH NOZZLE 28 WHI		1		84679900		
A03A	451244-9	PIPE		1		84679900		
A03C	451241-5	PIPE		1		73269099		

Model No. CL106FD CORDLESS CLEANER

Item	Parts No.	Description	I/C	QTY	N/O	Opt. 1	Opt. 2	NOTE
A03D	451241-5	PIPE		1		73269099		
A04A	451245-7	SASH NOZZLE HOLDER		1		40169390		
A04C	451242-3	SASH NOZZLE HOLDER		1				
A04D	451242-3	SASH NOZZLE HOLDER		1				
A05A	198007-9	BATTERY BL1016 SET		1		85076000		
A05D	198007-9	BATTERY BL1016 SET		1		85076000		
A06A	456128-6	BATTERY COVER		1				
A06D	456128-6	BATTERY COVER		1				
A07A	***DC10WD	DC10WD BATTERY CHARGER		1				
D10		COMPO-PARTS						
A07D	***DC10WD	DC10WD BATTERY CHARGER		1				
D10		COMPO-PARTS						