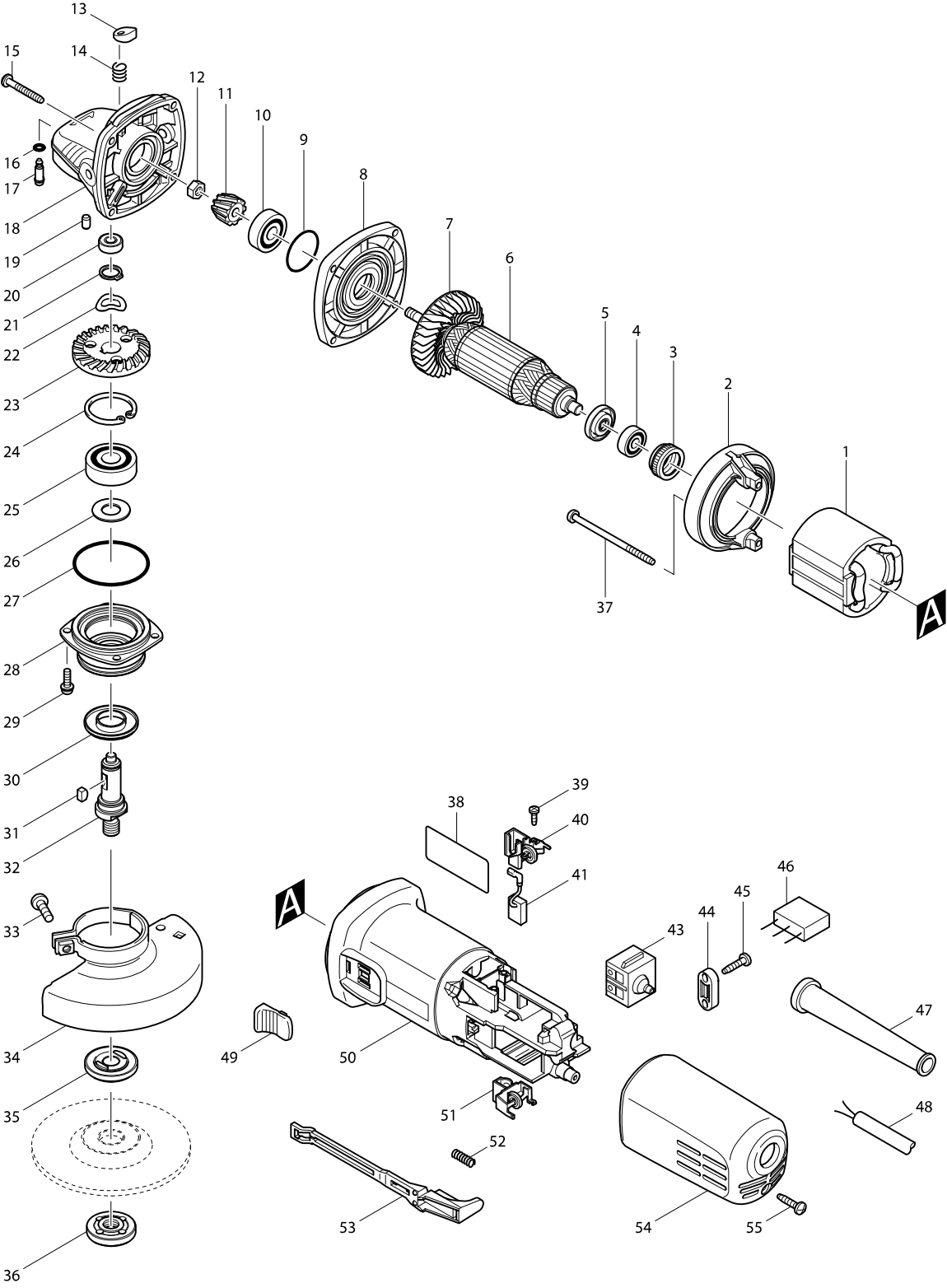


# Model No. 9553NB 100MM ANGLE GRINDER



# Model No. 9553NB 100MM ANGLE GRINDER

Item	Parts No.	Description	I/C	QTY	N/O	Opt. 1	Opt. 2	NOTE
001	621713-6	FIELD 220-240V		1	*	85030090		
001-1	627080-7	FIELD 220-240V	<	1				
002	418795-5	BAFFLE PLATE		1	*	73182990		
002-1	457793-4	BAFFLE PLATE	<	1		73182990		
003	421868-5	LABYRINTH RUBBER RING 19		1		40169390		
004	210034-7	BALL BEARING 607LLB		1	*	84821090		
004-1	211021-9	BALL BEARING 607LLB	O	1		84821090		
005	681667-9	RESIN WASHER		1	*			
005-1	681636-0	INSULATION WASHER	O	1		73182200		
006	515619-7	ARMATURE ASS'Y 220-240V		1	*	85030090		
D10		INC. 4,5,7			*			
006-1	510086-1	ARMATURE ASS'Y 220-240V	O	1		85030090		
D10		INC. 4,5,7						
007	240076-7	FAN 56		1		84145190		
008	317821-6	GEAR HOUSING COVER		1		84679900		
009	213445-5	O-RING 26		1		40169320		
010	210071-1	BALL BEARING 629LLB		1	*	84821090		
010-1	210053-3	BALL BEARING 629LLB	<	1	*			
010-2	210042-8	BALL BEARING 629LLB	O	1		84821090		
011	227471-8	SPIRAL BEVEL GEAR 11		1		84679900		
012	252186-8	HEX. NUT M6		1		73181500		
013	417771-6	PIN CAP		1		40169390		
014	233376-2	COMPRESSION SPRING 8		1		73209090		
015	266361-0	TAPPING SCREW 4X30		4		73181500		
016	213960-9	O RING 5		1		40169320		
017	256486-8	SHOULDER PIN 4		1		73182990		
018	317814-3	GEAR HOUSING		1	*	84679900		
018-1	318051-2	GEAR HOUSING	O	1		84679900		
019	263002-9	RUBBER PIN 4		1		40169390		
020	210033-9	BALL BEARING 696ZZ		1	*	84821090		
020-1	210006-2	BALL BEARING 696ZZ	O	1		84821090		
021	961052-5	RETAINING RING S-12		1		73182990		
022	267794-2	WAVE WASHER 12		1		73182200		
023	227472-6	SPIRAL BEVEL GEAR 36		1	*			
023-1	227506-5	SPIRAL BEVEL GEAR 36	<	1		84679900		
024	962151-6	RETAINING RING R-32		1		73182990		
025	211129-9	BALL BEARING 6201DDW		1		84821090		
026	267238-2	FLAT WASHER 12		1		73182200		
027	213622-9	O RING 45		1		40169320		
028	317819-3	BEARING BOX		1		84833000		
029	265099-4	PAN HEAD SCREW M4X14		4		73181500		
030	345464-4	LABYRINTH RING		1		73182990		
031	254011-9	WOODRUFF KEY 4		1		84679900		
032	324488-3	SPINDLE		1		84679900		
033	265103-9	PAN HEAD SCREW M5X14		1		73181500		
034	125266-2	WHEEL COVER 100 ASSEMBLY		1	*	73262090		
D10		INC. 33			*			
034-1	125266-2	WHEEL COVER 100 ASSEMBLY	O	1		73262090		

Item	Parts No.	Description	I/C	QTY	N/O	Opt. 1	Opt. 2	NOTE
D10		INC. 33						
035	224314-5	INNER FLANGE 30		1		73182990		
036	224559-5	LOCK NUT 10-30		1		73181600		
037	266362-8	TAPPING SCREW 4X70		2	*			
037-1	266325-4	TAPPING SCREW 4X70	O	2	*	73181500		
037-2	265657-6	TAPPING SCREW 4X70	O	2				
038	861238-0	9553NB NAME PLATE		1				
039	266007-8	TAPPING SCREW BIND PT 3X10		4		73181500		
040	643760-7	BRUSH HOLDER		1		82078000		
041	194074-2	CARBON BRUSH CB-325		1		85452000		
043	650560-8	SWITCH DPX-2110-R		1	*	85366990		
043-1	650621-4	SWITCH PS10	O	1		85366990		
044	687123-7	STRAIN RELIEF		1		84679900		
045	266326-2	TAPPING SCREW 4X18		2		73181500		
047	682559-5	CORD GUARD 8		1		73182990		
048	666066-6	POWER SUPPLY CORD 1.0-2-2.5		1		85442090		
049	418769-6	SWITCH KNOB		1	*			
049-1	419566-3	SWITCH KNOB	<	1		40169390		
050	418794-7	MOTOR HOUSING		1	*	84679900		
050-1	418794-7	MOTOR HOUSING	<	1		84679900		
051	643760-7	BRUSH HOLDER		1		82078000		
052	233121-5	COMPRESSION SPRING 4		1		73209090		
053	418796-3	SWITCH LEVER C		1		39269099		
054	418726-4	REAR COVER		1		84679900		
055	266326-2	TAPPING SCREW 4X18		1		73181500		
A01	153489-2	GRIP 36 COMPLETE		1		40169390		
A02	782420-7	LOCK NUT WRENCH 20		1		82041120		
A05	A-80852	GRINDING WHEEL 100X6X16		1		68042390		