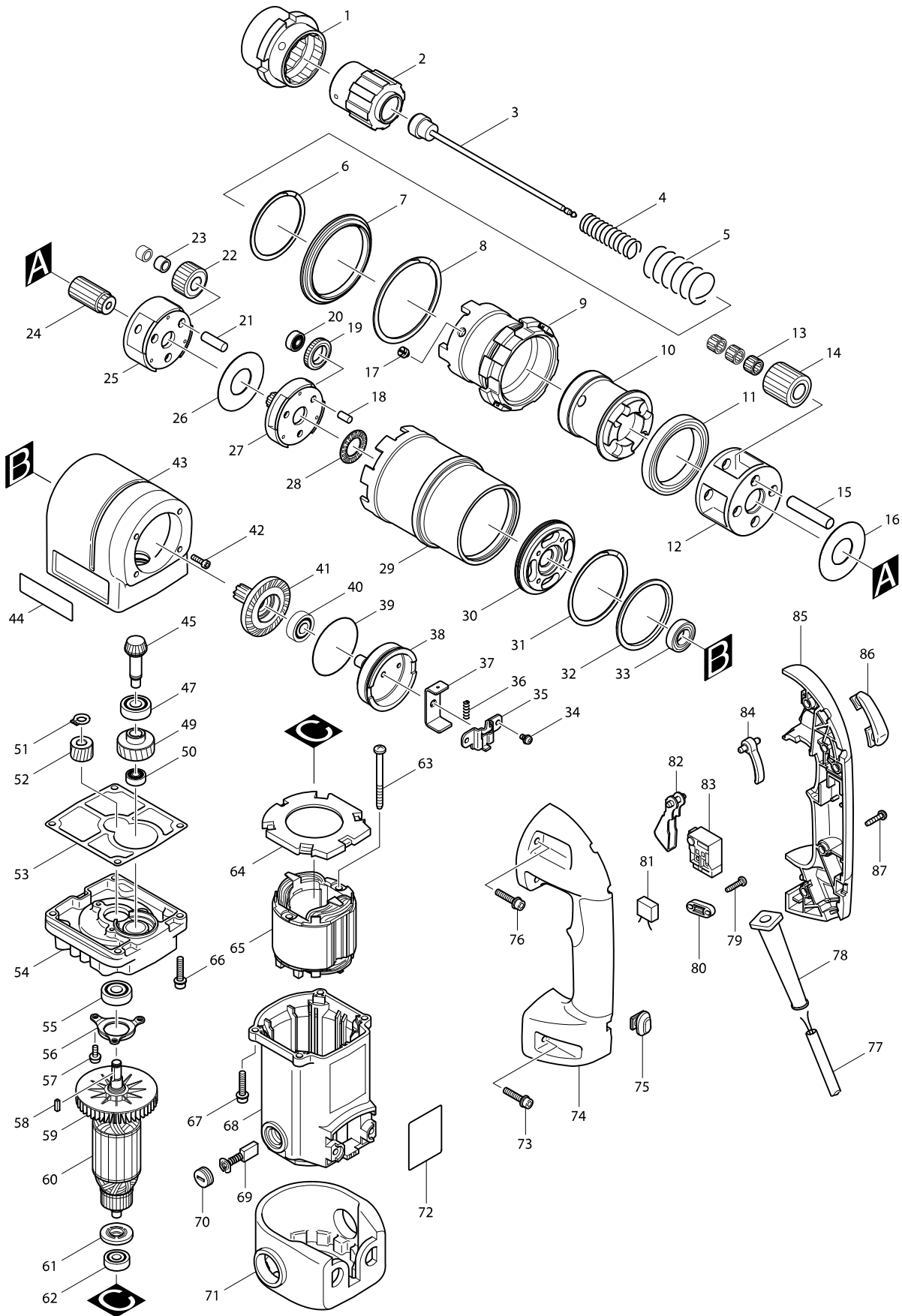


# Model No. 6924N SHEAR WRENCH



# Model No. 6924N SHEAR WRENCH

Item	Parts No.	Description	I/C	QTY	N/O	Opt. 1	Opt. 2	NOTE
001	194034-4	OUTER SLEEVE 24-49 SET		1		73182990		
002-1	194311-4	INNER SLEEVE 24-49 SET		1		73182990		
003-1	165412-5	CHIP ROD		1		84679900		
004-1	233445-9	COMPRESSION SPRING 16		1		73209090		
005	233420-5	COMPRESSION SPRING 28		1		73209090		
006	257945-5	RETAINING RING 68		1		73182990		
007-1	324623-3	SPACER		1		73182990		
008-1	962372-0	RETAINING RING(INT)AR-75		1	*	73182990		
008-2	257984-5	RETAINING RING(INT)AR-75	O	1		73182990		
009-1	324624-1	OUTER SUPPORT		1		73182990		
010	154492-6	INNER SUPPORT COMPLETE		1		84679900		
011	211653-2	BALL BEARING 6811		1		84821090		
012	310159-8	CARRIER B		1		84679900		
013	212078-3	NEEDLE CAGE 1010		12		84821090		
014	227144-3	SPUR GEAR 18		4		84679900		
015	268124-0	PIN 10		4		73182990		
016	267289-5	FLAT WASHER 25		1		73182200		
017	266022-2	- SET SCREW(DOG POINT) M8X8		2		73181500		
018	256211-7	PIN 6		3		73182990		
019	227140-1	SPUR GEAR 26		3		84679900		
020	211012-0	BALL BEARING 606ZZ		3		84821090		
021	268104-6	PIN 8		3		73182990		
022	227142-7	SPUR GEAR 26		3		84679900		
023	212026-2	NEEDLE CAGE 808		6		84821090		
024	227143-5	SPUR GEAR 10		1		84679900		
025	310158-0	CARRIER A		1		84679900		
026	267289-5	FLAT WASHER 25		1		73182200		
027	227141-9	SPUR GEAR 11		1		84679900		
028	216419-5	THRUST NEEDLE CAGE 1831		1		73182200		
029-1	227155-8	INTERNAL GEAR 46-64		1		84679900		
030	324519-8	BRACKET		1		73182990		
031	257943-9	RETAINING RING 68		1		73182990		
032	257263-1	RING 58		1		73182990		
033	211221-1	BALL BEARING 6902		1		84821090		
034	266199-3	HEX.SOCKET HEAD BOLT M4X6		2		73181500		
035	345476-7	PLATE GUIDE		1		73182990		
036	233421-3	COMPRESSION SPRING 4		1		73209090		
037	345493-7	STOPPER PLATE		1		73182990		
038	324521-1	ROD SUPPORTER		1		84679900		
039	213656-2	O RING 53		1		40169320		
040	211064-1	BALL BEARING 6000		1		84821090		
041	226828-0	GEAR 11-47		1		84679900		
042	922122-5	HEX.SOCKET HEAD BOLT M4X14		4		73181500		
043	183928-8	GEAR CASE SET		1		84679900		
D10		INC. 44						
044	819001-5	MAKITA LABEL		2				
045	227483-1	SPIRAL BEVEL GEAR 15		1		84679900		
047	211097-6	BALL BEARING 6000LLB		1		84821090		

# Model No. 6924N SHEAR WRENCH

Item	Parts No.	Description	I/C	QTY	N/O	Opt. 1	Opt. 2	NOTE
049-1	194100-7	HELICAL GEAR 27 SET		1		84834000		
050	211012-0	BALL BEARING 606ZZ		1		84821090		
051	961004-6	RETAINING RING S-8		1		73182990		
052	226597-3	HELICAL GEAR 15		1		84679900		
053	418801-6	GASKET		1		40169390		
054	317835-5	GEAR HOUSING		1		84679900		
055	211097-6	BALL BEARING 6000LLB		1		84821090		
056	344470-6	BEARING RETAINER		1		73182990		
057	251308-7	+ PAN HEAD SCREW M4X10		3		73181500		
058	254236-5	KEY 3		1		84679900		
059	241863-7	FAN 70		1		84145190		
060	513594-1	ARMATURE ASS'Y 240V		1		85030090		
D10		INC. 59,61,62						
061	681644-1	INSULATION WASHER		1		73182200		
062	211031-6	BALL BEARING 608LLB		1		84821090		
063	266044-2	TAPPING SCREW 5X60		2		73181500		
064	418797-1	BAFFLE PLATE		1		73182990		
065	594529-1	FIELD ASS'Y 240V		1		85030090		
C10	654020-2	RING TERMINAL		2		73182990		
C20	654501-6	CONNECTOR P-1.25		2		73182990		
066	922243-3	HEX. SOCKET HEAD BOLT M5X25		4		73181500		
067	922243-3	HEX. SOCKET HEAD BOLT M5X25		4		73181500		
068	154491-8	MOTOR HOUSING COMPLETE		1		84679900		
C10	643708-9	BRUSH HOLDER 5-11		2		82078000		
069	191963-2	CARBON BRUSH CB-303		1		85452000		
070	643750-0	BRUSH HOLDER CAP 7-11		2	*	40169390		
070-1	643515-0	HOLDER CAP 7-11	O	2		40169390		
071	421891-0	PROTECTOR C		1		84679900		
072	861055-8	NAME PLATE 6924N		1				
073	922243-3	HEX. SOCKET HEAD BOLT M5X25		2		73181500		
074	183880-0	HANDLE SET		1		84679900		
D10		INC. 85						
075	421890-2	PROTECTOR B		1		84679900		
076	922243-3	HEX. SOCKET HEAD BOLT M5X25		4		73181500		
077	665865-3	POWER SUPPLY CORD 1.0-2-2.5		1		85442090		
078	682573-1	CORD GUARD 10		1		73182990		
079	265995-6	TAPPING SCREW 4X18		2		73181500		
080	687052-4	STRAIN RELIEF		1		84679900		
082	414436-1	SWITCH LEVER		1		39269099		
083	651835-8	SWITCH SP215C		1		85366990		
084	310157-2	CHIP LEVER		1		84679900		
085	183880-0	HANDLE SET		1		84679900		
D10		INC. 74						
086	421889-7	PROTECTOR A		1		84679900		
087	266045-0	TAPPING SCREW 4X20		4		73181500		
A01	823286-7	STEEL CARRYING CASE		1				
A02	783001-0	(-) SCREWDRIVER 6		1				