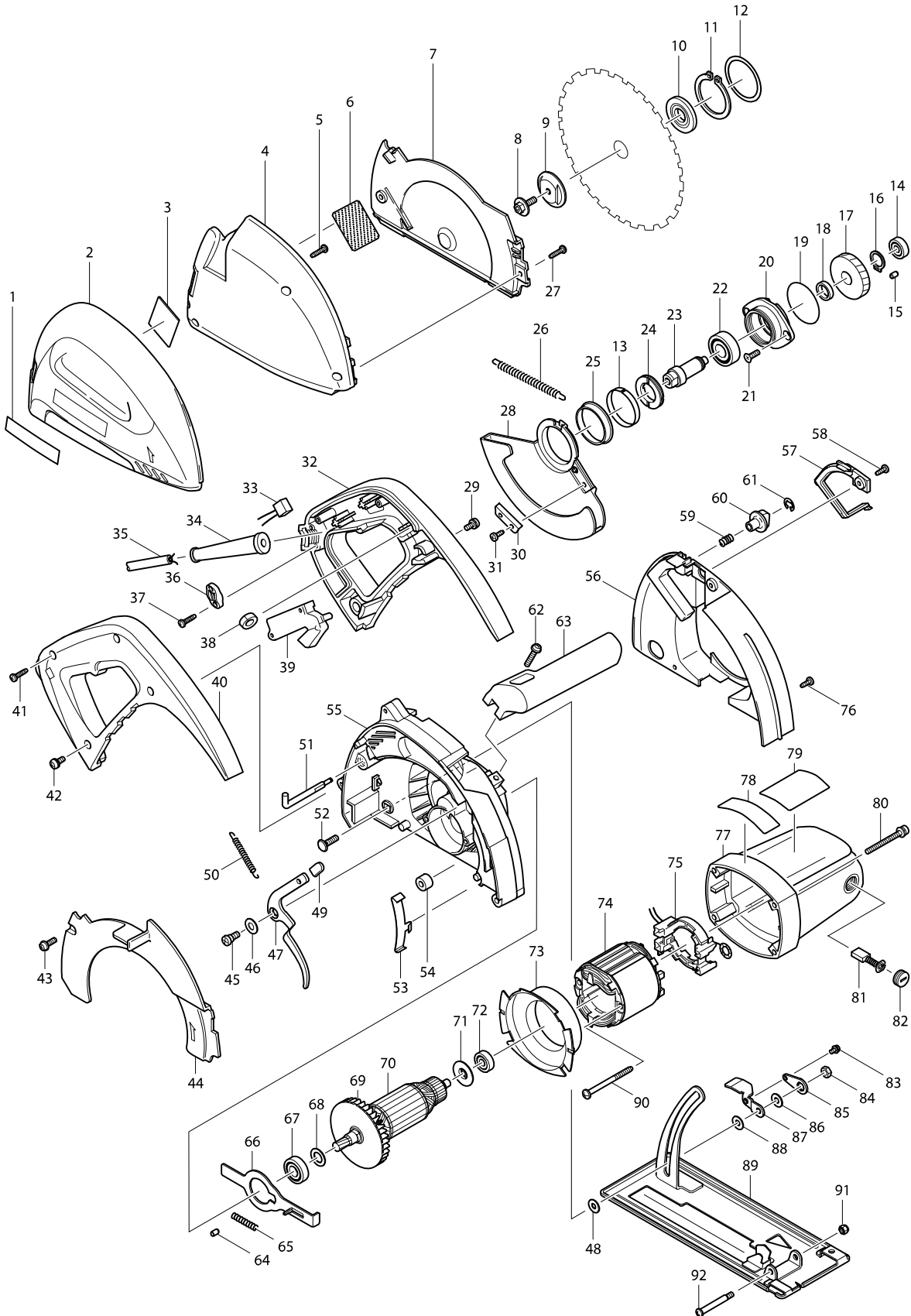


Model No. 4131 METAL CUTTER 185MM



Model No. 4131 METAL CUTTER 185MM

Item	Parts No.	Description	I/C	QTY	N/O	Opt. 1	Opt. 2	NOTE
001	819064-1	MAKITA MARK		1		83100090		
002	183837-1	DUST CASE COVER		1		84679900		
C10	810055-5	CAUTION LABEL		1		39199090		
D10		INC. 1						
003	431005-3	HEAT RESISTING GLASS		1		70200090		
004	317776-5	DUST CASE		1		84679900		
005	265995-6	TAPPING SCREW 4X18		2		73181500		
006	343760-4	PUNCHING METAL COVER		1		73182990		
007	317777-3	DUST PLATE		1		84679900		
008-1	266458-5	HEX.SOCKET HEX.BOLT M6X18		1		73181500		
009	224366-6	OUTER FLANGE 40		1		73182990		
010	224370-5	INNER FLANGE 40		1		73182990		
011	961201-4	RETAINING RING S-42		1		73182990		
012	267784-5	WASHER 42		1		73182200		
013	343759-9	THICKNESS RING		1		73182990		
014	211031-6	BALL BEARING 608LLB		1		84821090		
015	263002-9	RUBBER PIN 4		1		40169390		
016	961055-9	RETAINING RING S-15		1		73182990		
017	226591-5	HELICAL GEAR 48		1		84679900		
018	257053-2	RING 15		1		73182990		
019	213621-1	O RING 46		1		40169320		
020	316579-4	BEARING BOX		1		84833000		
021	251372-8	+ COUNTERSUNK HEAD SCREW M5X		2		73181500		
022	211228-7	BALL BEARING 6202DDW		1		84821090		
023	324475-2	SPINDLE		1		84679900		
024	285807-7	BEARING RETAINER 22-36		1		84679900		
025-1	346880-3	SPACER		1				
026-1	231891-0	TENSION SPRING 4		1		73209090		
027	265995-6	TAPPING SCREW 4X18		2		73181500		
028	317775-7	SAFETY COVER		1		84679900		
029	911213-7	PAN HEAD SCREW M5X12		2		73181500		
030	344944-7	SUB PLATE		1		73182200		
031	266026-4	TAPPING SCREW BIND CT 4X12		1		73181500		
032-1	182648-1	HANDLE SET		1		84679900		
D10		INC. 40						
034	682503-2	CORD GUARD 8-90		1		73182990		
035	666216-3	POWER SUPPLY CORD 1.5-2-2.5		1		85442090		
036	687052-4	STRAIN RELIEF		1		84679900		
037	265995-6	TAPPING SCREW 4X18		2		73181500		
038	421492-4	SPONGE RING		1		40169390		
039	651054-6	SWITCH TG71C-2		1		85366990		
040-1	182648-1	HANDLE SET		1		84679900		
D10		INC. 32						
041	265995-6	TAPPING SCREW 4X18		2		73181500		
042	911213-7	PAN HEAD SCREW M5X12		2		73181500		
043	911223-4	PAN HEAD SCREW M5X16		1		73181500		
044	317778-1	BLADE COVER		1		84679900		
045	251267-5	+ PAN HEAD SCREW M6		1		73181500		

Item	Parts No.	Description	I/C	QTY	N/O	Opt. 1	Opt. 2	NOTE
046	941201-0	FLAT WASHER 8		1		73182200		
047	345421-2	OPEN LEVER		1		84679900		
048	253783-3	FLAT WASHER 6		1		84679900		
049-1	421903-9	RUBBER CAP		1		40169390		
050	231823-7	TENSION SPRING 4		1		73209090		
051	324476-0	HOOK		1		84679900		
052	266031-1	CAP SQUARE NECK BOLT M6X20		1		73181500		
053	343758-1	PROTECTOR		1		73182990		
054	262511-5	RUBBER SLEEVE 6		1		73182990		
055	153924-0	GEAR HOUSING COMPLETE		1		84679900		
D10		INC. 15,64						
056	418612-9	GEAR HOUSING COVER		1		84679900		
057	418613-7	LEAD COVER		1		84679900		
058	266026-4	TAPPING SCREW BIND CT 4X12		1		73181500		
059	231402-1	COMPRESSION SPRING 7		1		73209090		
060	271421-5	THUMB PIPE 23		1		39269099		
061	961017-7	STOP RING E-3		1		73182990		
062	911243-8	PAN HEAD SCREW M5X25		2		73181500		
063	415469-9	GRIP		1		40169390		
064	263002-9	RUBBER PIN 4		1		40169390		
065	233092-6	COMPRESSION SPRING 5		1		73209090		
066	343832-5	SHAFT LOCK		1		73182990		
067	211131-2	BALL BEARING 6001DDW		1		84821090		
068	253744-3	FLAT WASHER 12		1		84679900		
069	241876-8	FAN 76		1		84145190		
070	513578-9	ARMATURE ASS'Y 220-240V		1		85030090		
D10		INC. 67-69,71,72						
071	681634-4	INSULATION WASHER		1		73182200		
072	211031-6	BALL BEARING 608LLB		1		84821090		
073	415467-3	BAFFLE PLATE		1		73182990		
074	634513-5	FIELD 220-240V		1		85030090		
075	638358-3	SUPPORT COMPLETE		1		84679900		
076	266026-4	TAPPING SCREW BIND CT 4X12		3		73181500		
077	159685-0	MOTOR HOUSING COMPLETE		1		84679900		
C10	643754-2	BRUSH HOLDER		2		82078000		
078	816816-1	INDICATION LABEL		1		83100090		
079	860463-0	NAME PLATE 4131		1		83100090		
080	911263-2	PAN HEAD SCREW M5X40		4		73181500		
081	191963-2	CARBON BRUSH CB-303		1		85452000		
082	643750-0	BRUSH HOLDER CAP 7-11		2	*	40169390		
082-1	643515-0	HOLDER CAP 7-11	O	2		40169390		
083	911108-4	PAN HEAD SCREW M4X8		1		73181500		
084	252135-5	HEX. NUT		1		73181500		
085	341718-7	LOCK PLATE		1		73182990		
086	253804-1	FLAT WASHER 6		1		84679900		
087	342907-7	LEVER PLATE		1		73182990		
088	253804-1	FLAT WASHER 6		1		84679900		
089	165387-8	BASE		1		84679900		

