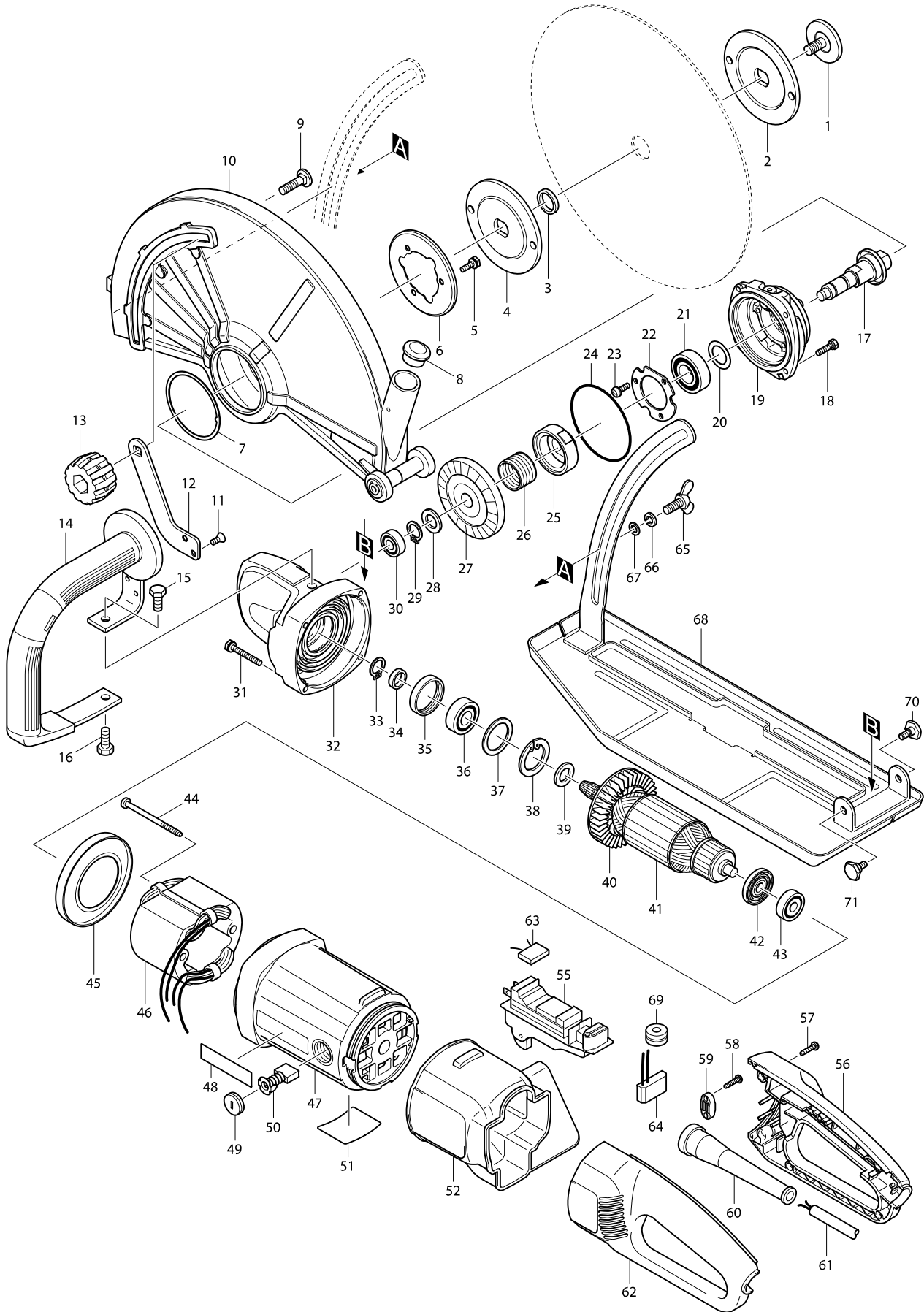


Model No. 4114S ANGLE CUTTER 355MM



Model No. 4114S ANGLE CUTTER 355MM

| Item | Parts No. | Description | I/C | QTY | N/O | Opt. 1 | Opt. 2 | NOTE |
|-------|-----------|-----------------------------|-----|-----|-----|----------|--------|------|
| 001 | 265265-3 | HEX. BOLT M10X25 | | 1 | | 73181500 | | |
| 002 | 224184-2 | INNER FLANGE 100 | | 1 | | 73182990 | | |
| 003 | 257054-0 | RING 20 | | 1 | | 73182990 | | |
| 004 | 224184-2 | INNER FLANGE 100 | | 1 | | 73182990 | | |
| 005 | 925216-5 | + HEX. BOLT M5X14 | | 3 | | 73181500 | | |
| 006 | 345269-2 | PRESSURE PLATE | | 1 | | 73182990 | | |
| 007 | 341853-1 | PLATE B | | 1 | | 73182990 | | |
| 008 | 286268-4 | CAP 31 | | 1 | * | 40169390 | | |
| 008-1 | 286289-6 | CAP 32 | < | 1 | | | | |
| 009 | 265845-5 | CAP SQUARE NECK BOLT M8X30 | | 1 | | 73181500 | | |
| 010 | 125336-7 | WHEEL COVER ASS'Y | | 1 | | 84679900 | | |
| C10 | 257091-4 | RING 12 | | 2 | | 73182990 | | |
| C20 | 961015-1 | STOP RING E-9 | | 2 | | 73182990 | | |
| C30 | 817574-2 | CAUTION LABEL | | 1 | | | | |
| 011 | 912202-5 | COUNTERSUNK HEAD SCREW M5X8 | | 2 | | 73181500 | | |
| 012 | 345291-9 | LOCK PLATE | | 1 | | 73182990 | | |
| 013 | 252648-6 | THUMB NUT M8 | | 1 | | 73181500 | | |
| 014 | 273655-6 | GRIP | | 1 | | 84679900 | | |
| 015 | 921432-7 | HEX. BOLT M8X20 | | 1 | | 73181500 | | |
| 016 | 921432-7 | HEX. BOLT M8X20 | | 1 | | 73181500 | | |
| 017 | 153541-6 | SPINDLE COMPLETE | | 1 | | 84679900 | | |
| 018 | 265502-5 | + HEX. BOLT M5X20 | | 4 | | 73181500 | | |
| 019 | 153539-3 | BEARING BOX COMPLETE | | 1 | | 84833000 | | |
| 020 | 267041-1 | FLAT WASHER 20 | | 1 | | 73182200 | | |
| 021-1 | 211326-7 | BALL BEARING 6004DDW | | 1 | | 84821090 | | |
| 022 | 285708-9 | BEARING RETAINER 50 | | 1 | | 84679900 | | |
| 023 | 911221-8 | PAN HEAD SCREW M5X16 | | 3 | | 73181500 | | |
| 024 | 213757-6 | O RING 80 | | 1 | | 40169320 | | |
| 025 | 331644-8 | LOCK SLEEVE | | 1 | | 73182990 | | |
| 026 | 233922-1 | LOCK SPRING 24 | | 1 | | 73209090 | | |
| 027 | 227439-4 | SPIRAL BEVEL GEAR 57 | | 1 | | 84679900 | | |
| 028 | 267251-0 | FLAT WASHER 15 | | 1 | | 73182200 | | |
| 029 | 961055-9 | RETAINING RING S-15 | | 1 | | 73182990 | | |
| 030 | 211061-7 | BALL BEARING 6000LLB | | 1 | | 84821090 | | |
| 031 | 925261-0 | + HEX. BOLT M5X40 | | 4 | | 73181500 | | |
| 032 | 153542-4 | GEAR HOUSING COMPLETE | | 1 | | 84679900 | | |
| 033 | 961055-9 | RETAINING RING S-15 | | 1 | | 73182990 | | |
| 034 | 257053-2 | RING 15 | | 1 | | 73182990 | | |
| 035 | 262554-7 | RUBBER RING 36 | | 1 | | 73182990 | | |
| 036 | 211228-7 | BALL BEARING 6202DDW | | 1 | | 84821090 | | |
| 037 | 267250-2 | FLAT WASHER 30 | | 1 | | 73182200 | | |
| 038 | 962157-4 | RETAINING RING R-40 | | 1 | | 73182990 | | |
| 039 | 267251-0 | FLAT WASHER 15 | | 1 | | 73182200 | | |
| 040 | 240060-2 | FAN 80 | | 1 | | 84145190 | | |
| 041 | 516868-9 | ARMATURE ASS'Y 220-240V | | 1 | | 85030090 | | |
| D10 | | INC. 40,42,43 | | | | | | |
| 042 | 681630-2 | INSULATION WASHER | | 1 | | 73182200 | | |
| 043 | 211087-9 | BALL BEARING 6200DDW | | 1 | | 84821090 | | |

