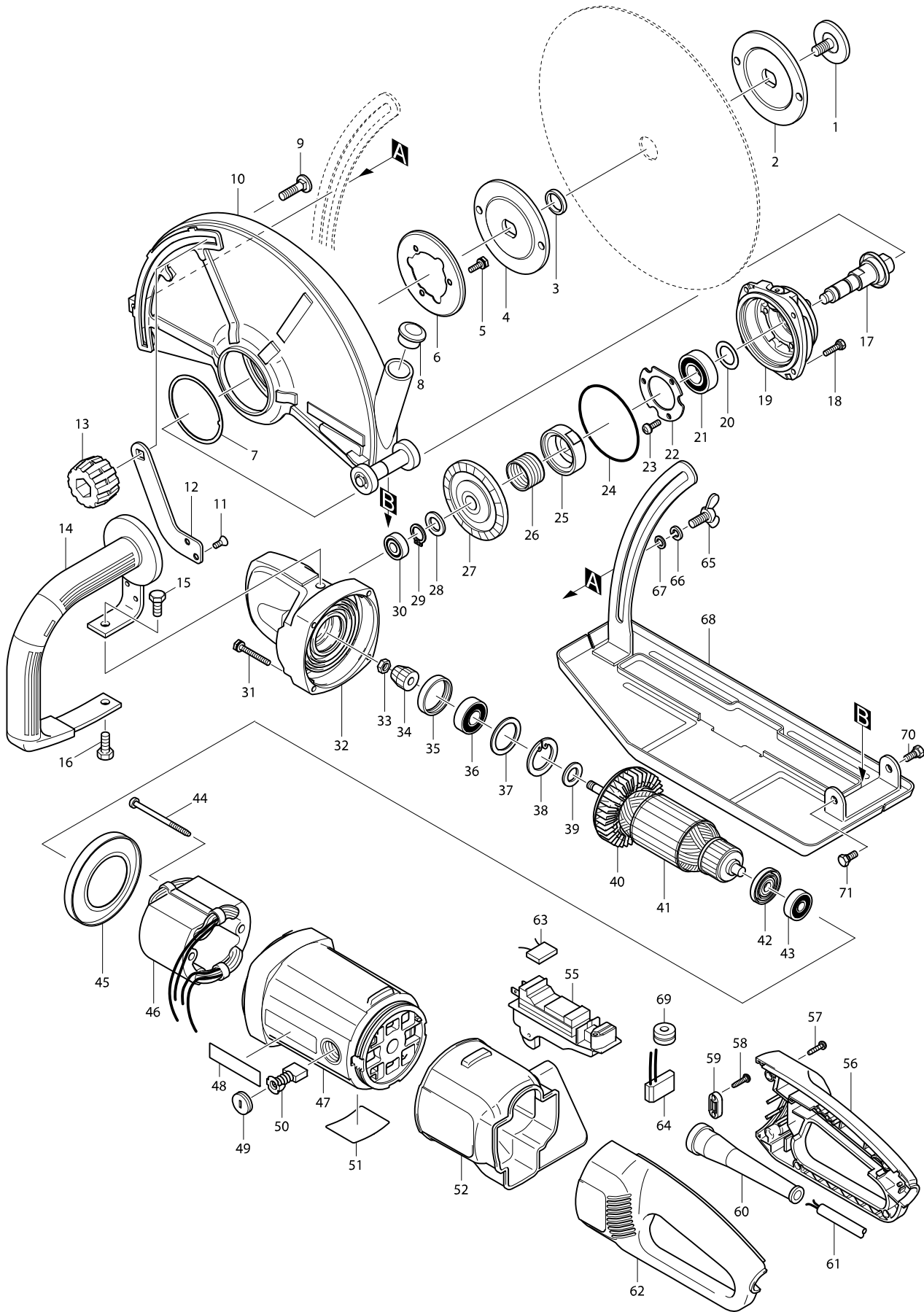


# Model No. 4112HS ANGLE CUTTER 305MM



# Model No. 4112HS ANGLE CUTTER 305MM

Item	Parts No.	Description	I/C	QTY	N/O	Opt. 1	Opt. 2	NOTE
001	265265-3	HEX. BOLT M10X25		1		73181500		
002	224184-2	INNER FLANGE 100		1		73182990		
003	257054-0	RING 20		1		73182990		
004	224184-2	INNER FLANGE 100		1		73182990		
005-1	925216-5	+ HEX. BOLT M5X14		3		73181500		
006	345269-2	PRESSURE PLATE		1		73182990		
007	341853-1	PLATE B		1		73182990		
008	286268-4	CAP 31		1	*	40169390		
008-1	286289-6	CAP 32	<	1				
009	265845-5	CAP SQUARE NECK BOLT M8X30		1		73181500		
010	125185-2	WHEEL COVER ASS'Y		1				
C10	257091-4	RING 12		2		73182990		
C20	961015-1	STOP RING E-9		2		73182990		
C30	817574-2	CAUTION LABEL		1				
011	912202-5	COUNTERSUNK HEAD SCREW M5X8		2		73181500		
012	345291-9	LOCK PLATE		1		73182990		
013	252648-6	THUMB NUT M8		1		73181500		
014	273655-6	GRIP		1		84679900		
015	921432-7	HEX. BOLT M8X20		1		73181500		
016	921432-7	HEX. BOLT M8X20		1		73181500		
017	153541-6	SPINDLE COMPLETE		1		84679900		
018	265502-5	+ HEX. BOLT M5X20		4		73181500		
019	153539-3	BEARING BOX COMPLETE		1		84833000		
020	267041-1	FLAT WASHER 20		1		73182200		
021-1	211326-7	BALL BEARING 6004DDW		1		84821090		
022	285708-9	BEARING RETAINER 50		1		84679900		
023	911221-8	PAN HEAD SCREW M5X16		3		73181500		
024	213757-6	O RING 80		1		40169320		
025	331644-8	LOCK SLEEVE		1		73182990		
026	233922-1	LOCK SPRING 24		1		73209090		
027	227438-6	SPIRAL BEVEL GEAR 48		1				
028	267251-0	FLAT WASHER 15		1		73182200		
029	961055-9	RETAINING RING S-15		1		73182990		
030	211061-7	BALL BEARING 6000LLB		1		84821090		
031	925261-0	+ HEX. BOLT M5X40		4		73181500		
032	153542-4	GEAR HOUSING COMPLETE		1		84679900		
033	252178-7	HEX. NUT M8-12		1		73181500		
034	227440-9	SPIRAL BEVEL GEAR 9		1				
035	262554-7	RUBBER RING 36		1		73182990		
036	211228-7	BALL BEARING 6202DDW		1		84821090		
037	267250-2	FLAT WASHER 30		1		73182200		
038	962157-4	RETAINING RING R-40		1		73182990		
039	267251-0	FLAT WASHER 15		1		73182200		
040	240060-2	FAN 80		1		84145190		
041	516888-3	ARMATURE ASS'Y 220-240V		1		84679900		
D10		INC. 40,42,43						
042	681630-2	INSULATION WASHER		1		73182200		
043	211087-9	BALL BEARING 6200DDW		1		84821090		

Item	Parts No.	Description	I/C	QTY	N/O	Opt. 1	Opt. 2	NOTE
044	266059-9	TAPPING SCREW 5X75		2		73181500		
045	416131-9	BAFFLE PLATE		1		73182990		
046	626134-7	FIELD 220-240V		1		84679900		
047	183564-0	MOTOR HOUSING		1		84679900		
C10	643707-1	BRUSH HOLDER		2		82078000		
D10		INC. 48						
048	819064-1	MAKITA MARK		2		83100090		
049	643710-2	BRUSH HOLDER CAP		2		82078000		
050	191957-7	A.C. CARBON BRUSH CB-204		1		85452000		
051	850449-2	NAME PLATE 4112HS		1				
052	421831-8	DUST COVER		1		84679900		
055-1	651181-9	SWITCH 1362.0114		1		85366990		
056	183615-9	HANDLE SET		1		84679900		
C10	421833-4	SPONGE SHEET		1				
D10		INC. 62						
057	266045-0	TAPPING SCREW 4X20		5		73181500		
058	265995-6	TAPPING SCREW 4X18		2		73181500		
059	687053-2	STRAIN RELIEF		1		84679900		
060	682560-0	CORD GUARD 10		1		73182990		
061	695107-1	POWER SUPPLY CORD 1.5-2-2.5		1		85442090		
062	183615-9	HANDLE SET		1		84679900		
C10	421833-4	SPONGE SHEET		1				
D10		INC. 56						
064	631553-4	SOFT START CIRCUIT		1		84679900		
065	924426-1	WING BOLT M8X20		1		73181500		
066	942201-3	SPRING WASHER 8		1		73182200		
067	941201-0	FLAT WASHER 8		1		73182200		
068	165343-8	BASE		1				
070	265506-7	SHOULDER HEX. BOLT M6		1				
071	265506-7	SHOULDER HEX. BOLT M6		1				
A01	782210-8	SOCKET WRENCH 17		1		82041120		
A02-1	824697-9	PLASTIC CARRYING CASE		1				
C10	163467-4	LATCH		2		73182990		
C20	819145-1	MAKITA LOGO LABEL		1		83100090		