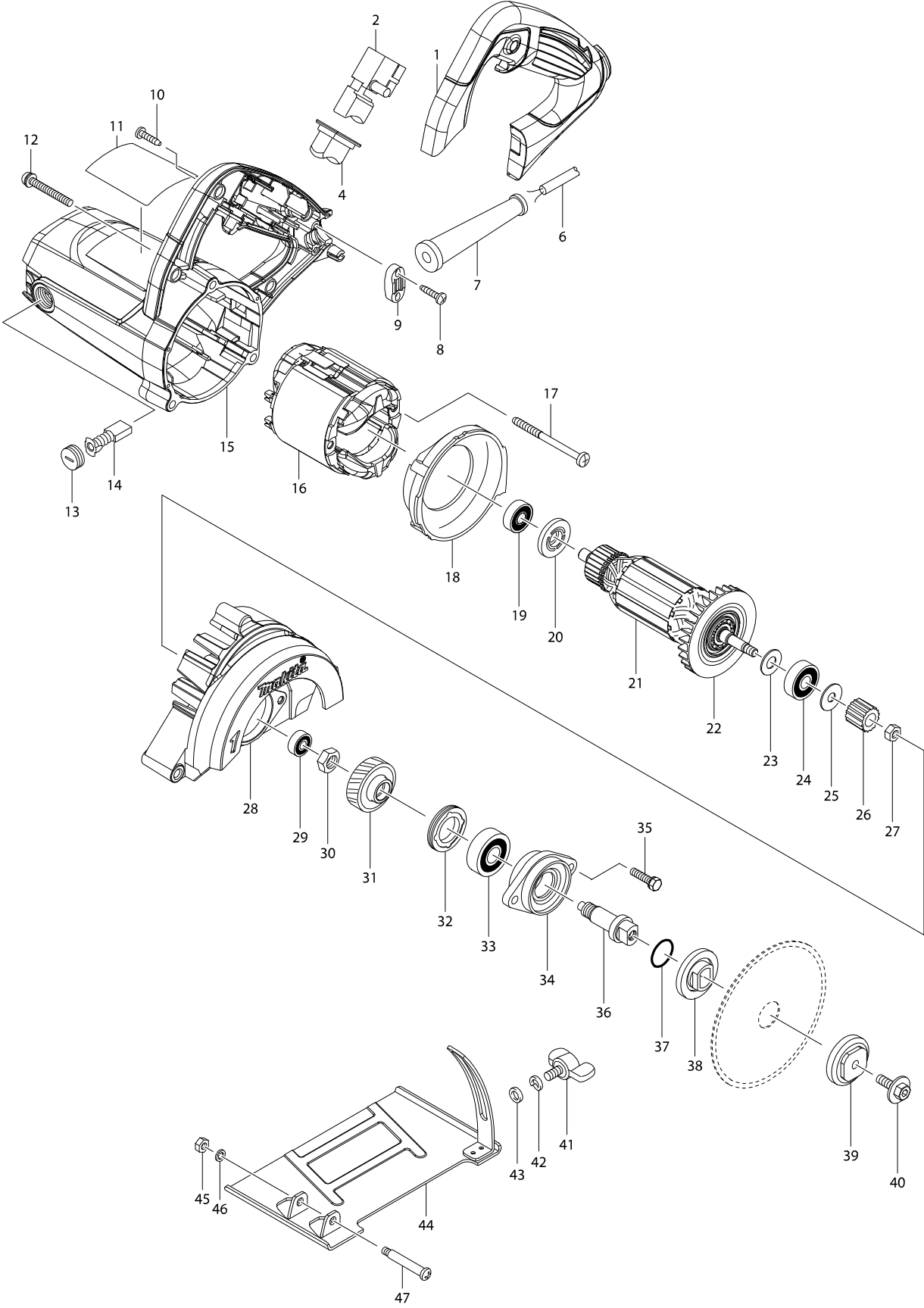


Model No. 4100NH3 110MM CUTTER



Model No. 4100NH3 110MM CUTTER

Item	Parts No.	Description	I/C	QTY	N/O	Opt. 1	Opt. 2	NOTE
001	454557-7	HANDLE COVER		1		73182990		
002	650239-1	SWITCH FA1-6/1B		1		85366990		
004	421812-2	DUST COVER		1		84679900		
006	666066-6	POWER SUPPLY CORD 1.0-2-2.5		1		85442090		
007	682503-2	CORD GUARD 8-90		1		73182990		
008	266326-2	TAPPING SCREW 4X18		2		73181500		
009	687123-7	STRAIN RELIEF		1		84679900		
010	266326-2	TAPPING SCREW 4X18		4		73181500		
011	814L09-6	4100NH3 NAME PLATE		1				
012	265104-7	PAN HEAD SCREW M5X40		3		73181500		
013	643750-0	BRUSH HOLDER CAP 7-11		2		40169390		
014	191963-2	CARBON BRUSH CB-303		1		85452000		
015	142142-5	MOTOR HOUSING COMPLETE		1		84679900		
C10	643708-9	BRUSH HOLDER 5-11		2		82078000		
016	594614-0	FIELD ASS'Y 240V		1		85030090		
C10	654020-2	RING TERMINAL		2		73182990		
C20	654501-6	CONNECTOR P-1.25		2		73182990		
017	266352-1	TAPPING SCREW 5X65		2		73181500		
018	417810-2	BAFFLE PLATE		1		84679900		
019	211395-8	BALL BEARING 608LLU		1		84821090		
020	681644-1	INSULATION WASHER		1		73182200		
021	513869-8	ARMATURE ASS'Y 240V		1		85030090		
D10		INC. 19,20,22-24						
022	240053-9	FAN 65		1		84145190		
023	267237-4	FLAT WASHER 9		1		73182200		
024	211092-6	BALL BEARING 629DDW		1		84821090		
025	267239-0	FLAT WASHER 7		1		73182200		
026	226552-5	HELICAL GEAR 15		1		84834000		
027	252186-8	HEX. NUT M6		1		73181500		
028	142143-3	BLADE CASE COMPLETE		1	*	84679900		
C10	213445-5	O-RING 26		1	*	40169320		
028-1	142143-3	BLADE CASE COMPLETE	O	1		84679900		
C10	213445-5	O-RING 26		1		40169320		
029	210028-2	BALL BEARING 606ZZ		1		84821090		
030	252170-3	HEX. NUT M10-17		1		73181500		
031	227767-7	HELICAL GEAR 34		1		84679900		
032	285840-9	BEARING RETAINER 19-33		1		84679900		
033	211129-9	BALL BEARING 6201DDW		1		84821090		
034	317550-1	BEARING BOX		1		84833000		
035	265497-2	+ HEX. BOLT M5X20		2		73181500		
036	324221-3	SPINDLE		1		84679900		
037	213279-6	O RING 18		1		40169320		
038	224080-4	INNER FLANGE 36		1		73182990		
039	224081-2	OUTER FLANGE 36		1		73182990		
040	266510-9	HEX. SOCKET HEX. BOLT M6X18		1		73181500		
041	265754-8	THUMB SCREW M6X12		1		73181500		
042	942151-2	SPRING WASHER 6		1		73182200		
043	941151-9	FLAT WASHER 6		1		73182200		

