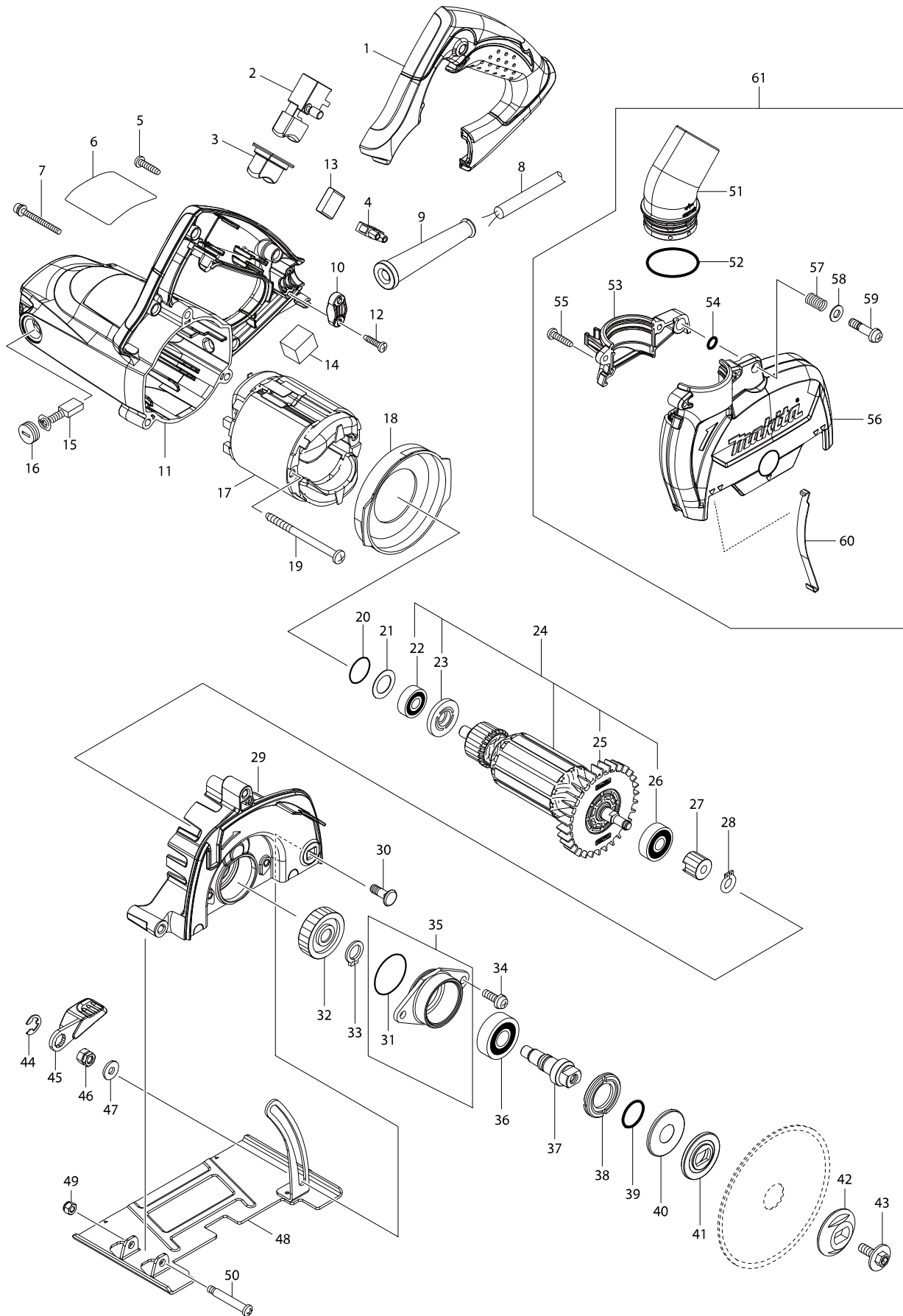


Model No. 4100KB 125MM DUSTLESS CUTTER



Model No. 4100KB 125MM DUSTLESS CUTTER

Item	Parts No.	Description	I/C	QTY	N/O	Opt. 1	Opt. 2	NOTE
001	450838-7	HANDLE COVER		1				
002	651281-5	SWITCH SGEL115CDY-5		1	85366990			
003	421812-2	DUST COVER		1	84679900			
005	265995-6	TAPPING SCREW 4X18		4	73181500			
006	853U04-5	4100KB NAME PLATE		1				
007	911263-2	PAN HEAD SCREW M5X40		3	73181500			
008	665865-3	POWER SUPPLY CORD 1.0-2-2.5		1	85442090			
009	682540-6	CORD GUARD 9.3-90		1	73182990			
010	687124-5	STRAIN RELIEF		1	84679900			
011	141726-6	MOTOR HOUSING COMPLETE		1	84679900			
C10	643708-9	BRUSH HOLDER 5-11		2	82078000			
012	265995-6	TAPPING SCREW 4X18		2	73181500			
015	191963-2	CARBON BRUSH CB-303		1	85452000			
016	643750-0	BRUSH HOLDER CAP 7-11		2	40169390			
017	594584-3	FIELD ASS'Y 240V		1	85030090			
C10	654020-2	RING TERMINAL		2	73182990			
C20	654501-6	CONNECTOR P-1.25		2	73182990			
018	450839-5	BUFFLE PLATE		1	84679900			
019	266038-7	TAPPING SCREW 5X70		2	73181500			
020	213262-3	O RING 18		1	40169320			
021	253192-6	FLAT WASHER 14		1	84679900			
022	211395-8	BALL BEARING 608LLU		1	84821090			
023	681644-1	INSULATION WASHER		1	73182200			
024	513769-2	ARMATURE ASS'Y 240V		1	85030090			
D10		INC. 22,23,25,26						
025	240109-8	FAN 70		1	84145190			
026	211092-6	BALL BEARING 629DDW		1	84821090			
027	226695-3	HELICAL GEAR 17		1	84679900			
028	961002-0	RETAINING RING S-6		1	73182990			
029	144781-7	GEAR HOUSING COMPLETE		1	84834000			
C10	213445-5	O-RING 26		1	40169320			
030	251586-9	FLAT HEAD SQUARE NECK BOLT M6>		1	73181500			
031	213444-7	O RING 30		1				
032	226696-1	HELICAL GEAR 44		1	84679900			
033	961052-5	RETAINING RING S-12		1	73182990			
034	911223-4	PAN HEAD SCREW M5X16		2	73181500			
035	135948-8	BEARING BOX ASSEMBLY		1	84833000			
D10		INC. 31						
036	211129-9	BALL BEARING 6201DDW		1	84821090			
037	325603-2	SPINDLE		1	84679900			
038	285858-0	BEARING RETAINER 19-33		1				
039	213279-6	O RING 18		1	40169320			
040	253397-8	CUP WASHER 15		1	73182200			
041	224423-0	INNER FLANGE 36		1	73182990			
042	224424-8	OUTER FLANGE 36		1	73182990			
043	266510-9	HEX. SOCKET HEX. BOLT M6X18		1	73181500			
044	257982-9	BOW STOP RING E-8		1				
045	271443-5	LEVER 49		1	84679900			

