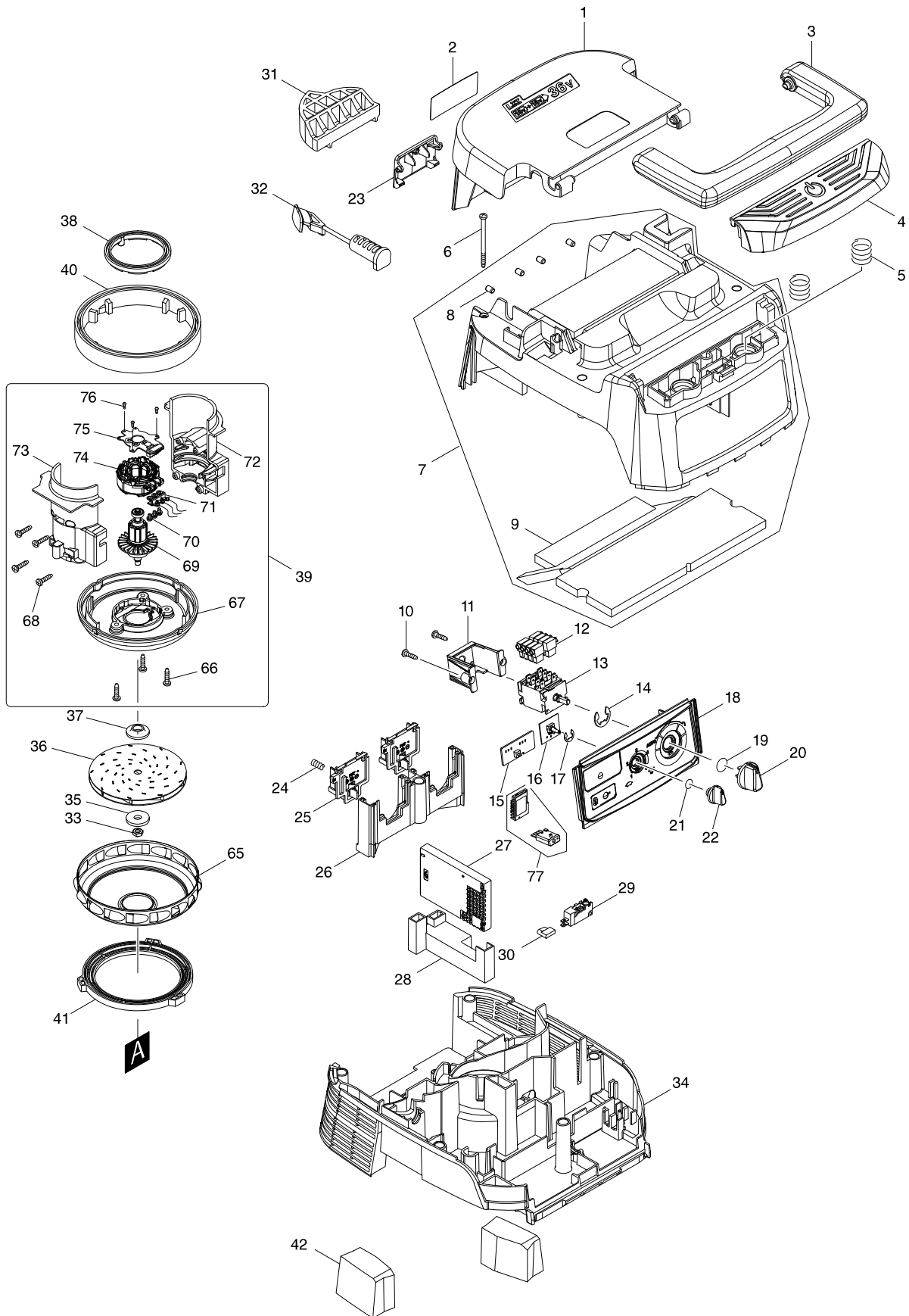
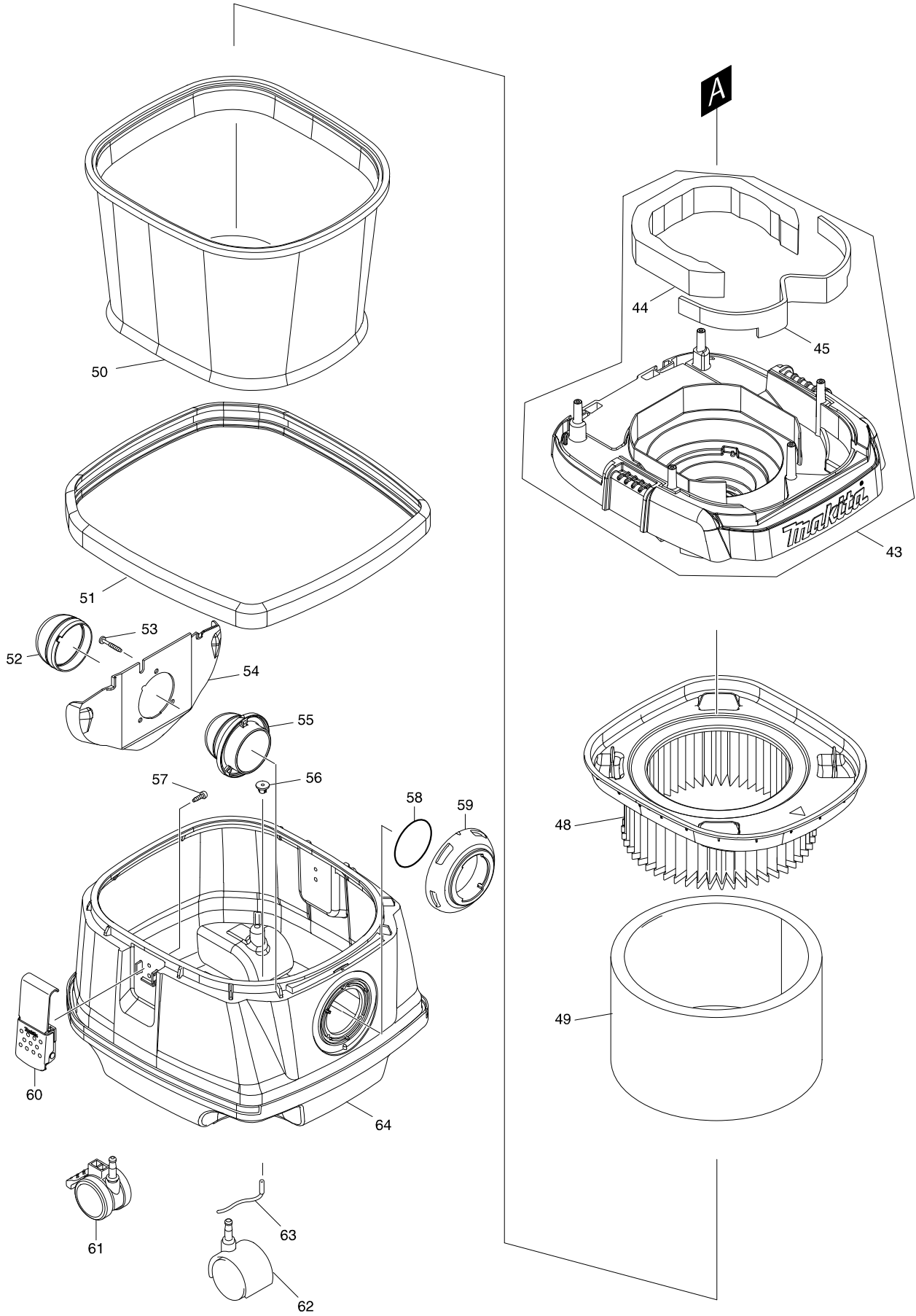


Model No. DVC864L CORDLESS VACUUM CLEANER



Model No. DVC864L CORDLESS VACUUM CLEANER



Model No. DVC864L CORDLESS VACUUM CLEANER

Item	Parts No.	Description	I/C	QTY	N/O	Opt. 1	Opt. 2	NOTE
001	144486-9	BATTERY COVER COMPLETE		1				
C10	891977-8	CAUTION LABEL		1		83100090		
002	853U58-2	DVC864L NAME PLATE		1				
003	455734-4	GRIP		1				
004	455730-2	SWITCH BUTTON		1	*			
004-1	459262-1	SWITCH BUTTON	<	1				
005	234273-5	COMPRESSION SPRING 20		2				
006	266340-8	TAPPING SCREW 4X65		6		73181500		
007	144973-8	COWLING COMPLETE		1		84679900		
D10		INC. 8,9						
008	263005-3	RUBBER PIN 6		4		40169390		
009	424688-6	TOP DAMPER		1				
010	266326-2	TAPPING SCREW 4X18		2		73181500		
011	451343-7	SWITCH HOLDER		1		82078000		
012	686023-8	RECEPTACLE SLEEVE		8		73182990		
013	651098-6	SWITCH 1703.4801		1		85366990		
014	961062-2	STOP RING E-12		1		73182990		
015	620649-6	LED CIRCUIT		1				
016	631922-9	SUB CONTROLLER		1		84679900		
017	961013-5	STOP RING E-7		1		73182990		
018	144770-2	SWITCH BASE COMPLETE		1	*	85369090		
018-1	140H44-7	SWITCH BASE COMPLETE	<	1				
019	213176-6	O RING 14		1		40169320		
020	455733-6	SWITCH LEVER		1				
021	213054-0	O RING 9		1		40169320		
022	451344-5	SWITCH DIAL		1		39269099		
023	455728-9	BATTERY COVER HOOK		1				
024	231240-1	COMPRESSION SPRING 7		1		73209090		
025	644808-8	TERMINAL		2		73182990		
026	455729-7	TERMINAL BASE		1				
027	620726-4	CONTROLLER		1		84679900		
028	457609-3	CONTROLLER HOLDER		1				
029	651910-0	SWITCH D2VW-01-3HS		1				
030	686039-3	RECEPTACLE SLEEVE		1		73182990		
031	424981-8	SPACER		1				
032	424980-0	CAP		1				
033	931303-0	HEX. NUT M6		1	*	73181500		
033-1	252268-6	HEX. NUT M6	O	1				
034	455726-3	SEPARATER		1				
035	253752-4	FLAT WASHER 8		1		84679900		
036	240178-9	FAN 104		1		84679900		
037	313062-2	FLANGE		1		84679900		
038	424685-2	RUBBER RING 60		1		40169320		
039	123974-9	MOTOR ASSEMBLY		1		84679900		
D10		INC. 66-76						
040	424686-0	RUBBER RING 120		1		40169320		
041	424687-8	SUPPORT RING		1		40169320		
042	424690-9	REAR BLOCK FILTER		2				

Model No. DVC864L CORDLESS VACUUM CLEANER

Item	Parts No.	Description	I/C	QTY	N/O	Opt. 1	Opt. 2	NOTE
043	143175-3	TANK COVER COMPLETE		1				
D10		INC. 44,45						
044	424691-7	BAND DAMPER		1		84679900		
045	424689-4	FRONT DAMPER		1		84679900		
048	197166-6	POWDER FILTER H SET		1				
049	423398-2	DAMPER		1				
050	140253-0	PRE-FILTER COMPLETE		1				
051	422148-2	BUMPER		1				
052	424382-0	RUBBER HOLDER		1		84679900		
053	266257-5	TAPPING SCREW 4X28		3		73181500		
054	419351-4	HOLDER PLATE		1				
055	419350-6	HOLDER		1				
056	421468-1	CORD SEAL		1		40169390		
057	266192-7	TAPPING SCREW 4X14		4		73181500		
058	213655-4	O RING 56		1		40169320		
059	451348-7	INLET		1				
060	168537-4	HOOK		2		84679900		
061	168535-8	CASTER 50		2				
062	168434-4	CASTER 50		2				
063	649150-2	EARTH LINE 120		1		84679900		
064	457623-9	TANK		1				
065	347171-5	FAN COVER		1		73182990		
066	266326-2	TAPPING SCREW 4X18		3		73181500		
067	457486-3	FAN BASE		1				
068	266326-2	TAPPING SCREW 4X18		4		73181500		
069	619431-8	ROTOR		1				
070	652069-6	FLAT HEAD SCREW M3X6		3		73181500		
071	632J83-8	LEAD UNIT		1				
072	183F90-5	MOTOR HOUSING SET		1				
D10		INC. 73						
073	183F90-5	MOTOR HOUSING SET		1				
D10		INC. 72						
074	629256-2	STATOR		1				
075	620648-8	CONTROLLER B		1				
076	266490-9	TAPPING SCREW PT 2X6		3		73181500		
077	620755-7	WIRELESS UNIT COMPLETE		1	*	84679900		
077-1	620755-7	WIRELESS UNIT COMPLETE	O	1		84679900		
A01	195433-3	HOSE COMPLETE 28-3.5 SET		1		40169390		
C10	417191-4	CUFF LOCK		1		84679900		
C20	417586-1	STOPPER		1		40169390		
C30	417662-1	SLEEVE		1		84679900		
C40	417766-9	FRONT CUFF 38		1		84679900		
D10		INC. A03,A04						
A02	195432-5	POLY BAG SET(650X650)		1				
A03	417765-1	FRONT CUFF 22		1		84679900		
A04	424379-9	FRONT CUFF 24		1		84679900		
A05	455732-8	TOOL BOX		1				
A06A	195434-1	HOSE COMPLETE 38-2.5 SET		1		40169390		

