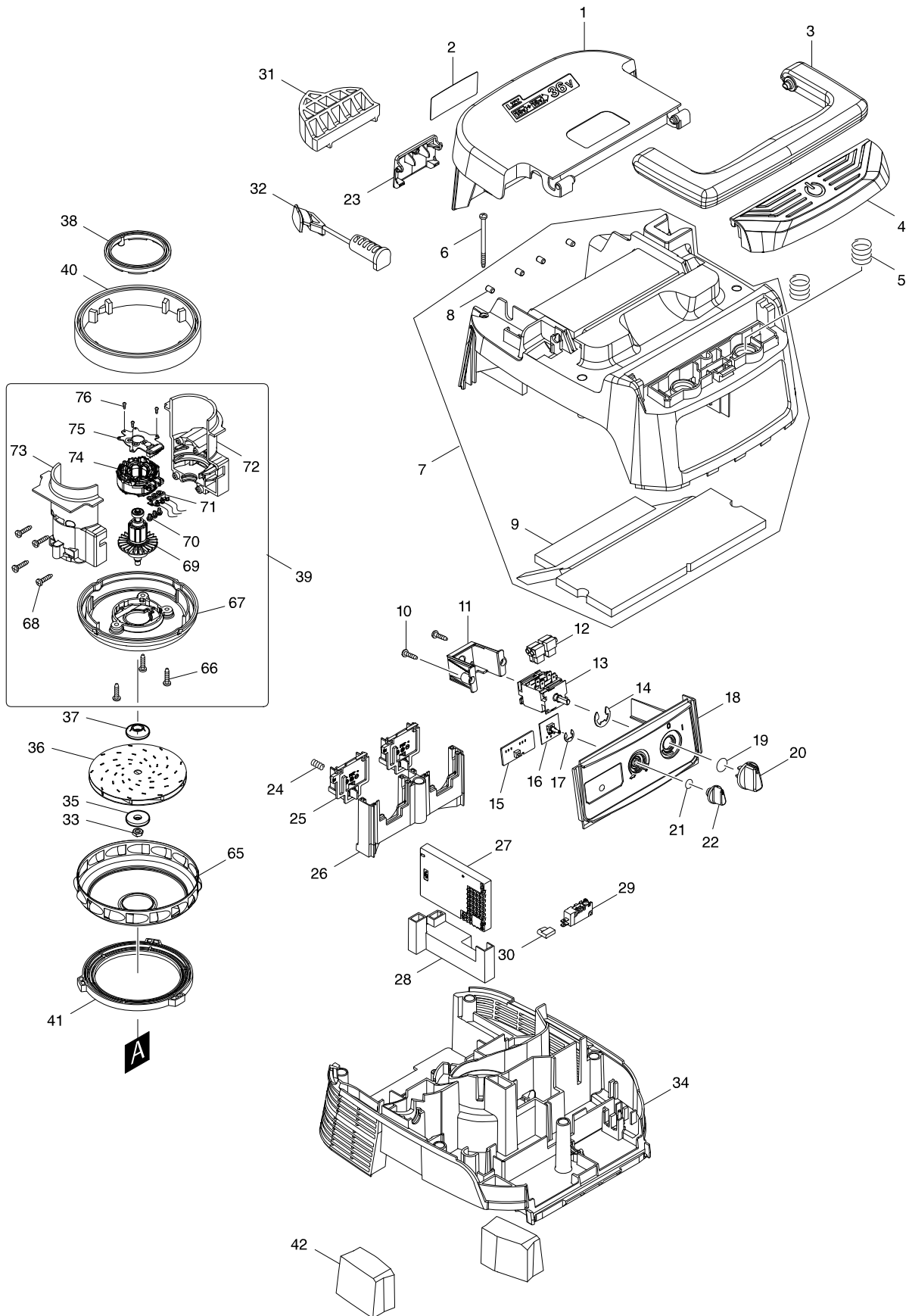
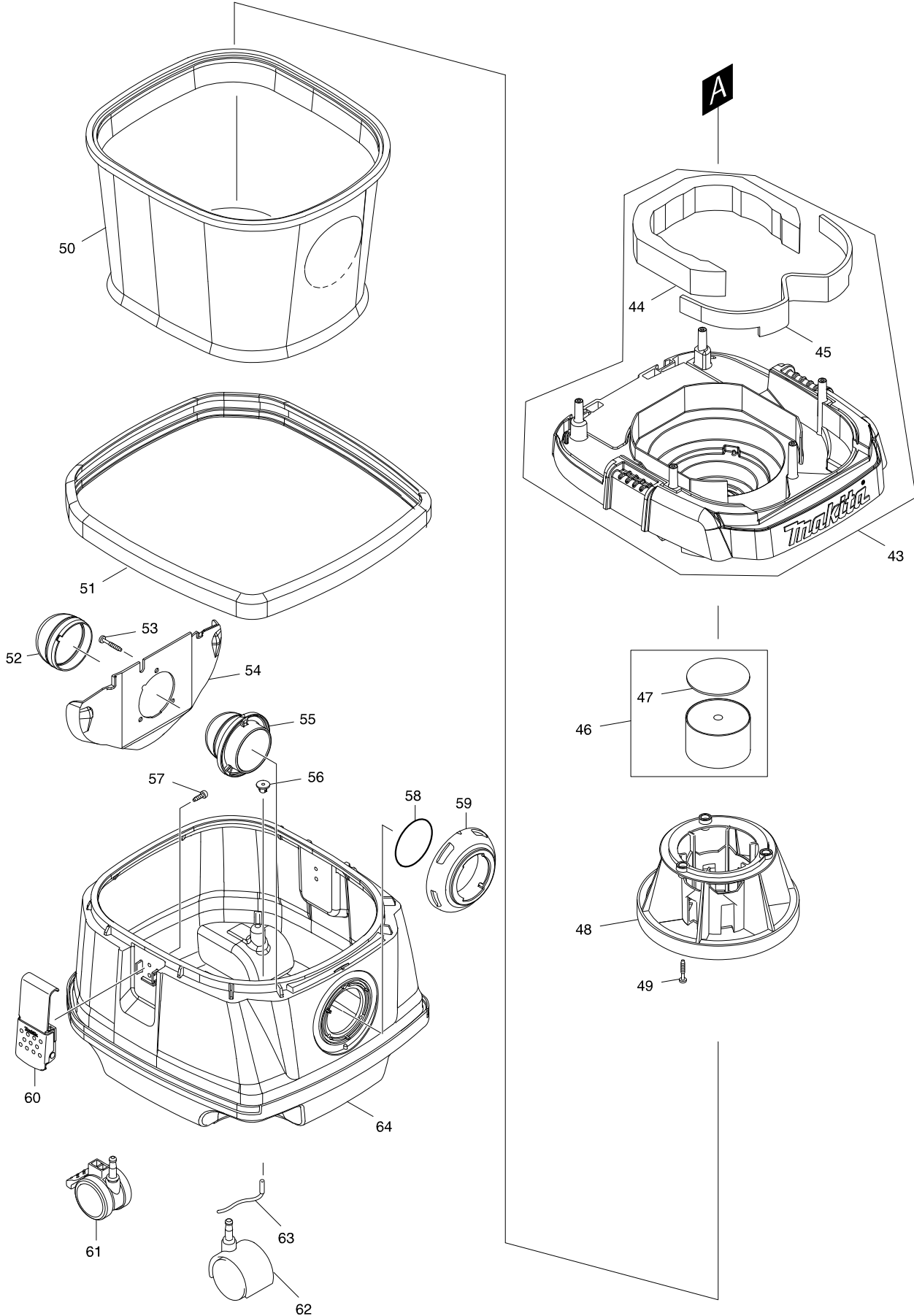


Model No. DVC862L CORDLESS VACUUM CLEANER



Model No. DVC862L CORDLESS VACUUM CLEANER



Model No. DVC862L CORDLESS VACUUM CLEANER

Item	Parts No.	Description	I/C	QTY	N/O	Opt. 1	Opt. 2	NOTE
001	143174-5	BATTERY COVER COMPLETE		1				
C10	891977-8	CAUTION LABEL		1		83100090		
002	853B24-5	DVC862L NAME PLATE		1				
003	455734-4	GRIP		1				
004	455730-2	SWITCH BUTTON		1	*			
004-1	459262-1	SWITCH BUTTON	<	1				
005	234273-5	COMPRESSION SPRING 20		2				
006	266340-8	TAPPING SCREW 4X65		6		73181500		
007	144409-7	COWLING COMPLETE		1				
D10		INC. 8,9						
008	263005-3	RUBBER PIN 6		4		40169390		
009	424688-6	TOP DAMPER		1				
010	266326-2	TAPPING SCREW 4X18		2		73181500		
011	451343-7	SWITCH HOLDER		1		82078000		
012	686023-8	RECEPTACLE SLEEVE		4		73182990		
013	650622-2	SWITCH		1				
014	961062-2	STOP RING E-12		1		73182990		
015	620649-6	LED CIRCUIT		1				
016	631922-9	SUB CONTROLLER		1		84679900		
017	961013-5	STOP RING E-7		1		73182990		
018	144479-6	SWITCH BASE COMPLETE		1				
019	213176-6	O RING 14		1		40169320		
020	455733-6	SWITCH LEVER		1				
021	213054-0	O RING 9		1		40169320		
022	451344-5	SWITCH DIAL		1		39269099		
023	455728-9	BATTERY COVER HOOK		1				
024	231240-1	COMPRESSION SPRING 7		1		73209090		
025	644808-8	TERMINAL		2		73182990		
026	455729-7	TERMINAL BASE		1				
027	620639-9	CONTROLLER		1				
028	457609-3	CONTROLLER HOLDER		1				
029	651910-0	SWITCH D2VW-01-3HS		1				
030	686039-3	RECEPTACLE SLEEVE		1		73182990		
031	424981-8	SPACER		1				
032	424980-0	CAP		1				
033	931303-0	HEX. NUT M6		1	*	73181500		
033-1	252268-6	HEX. NUT M6	O	1				
034	455726-3	SEPARATER		1				
035	253752-4	FLAT WASHER 8		1		84679900		
036	240178-9	FAN 104		1		84679900		
037	313062-2	FLANGE		1		84679900		
038	424685-2	RUBBER RING 60		1		40169320		
039	123974-9	MOTOR ASSEMBLY		1		84679900		
D10		INC. 66-76						
040	424686-0	RUBBER RING 120		1		40169320		
041	424687-8	SUPPORT RING		1		40169320		
042	424690-9	REAR BLOCK FILTER		2				
043	143175-3	TANK COVER COMPLETE		1				

Model No. DVC862L CORDLESS VACUUM CLEANER

Item	Parts No.	Description	I/C	QTY	N/O	Opt. 1	Opt. 2	NOTE
D10		INC. 44,45						
044	424691-7	BAND DAMPER		1		84679900		
045	424689-4	FRONT DAMPER		1		84679900		
046	158166-1	FLOAT COMPLETE		1		84679900		
D10		INC. 47						
047	423365-7	SPONGE SEAL 70		1		40169390		
048	419725-9	FLOAT CAGE		1		73182990		
049	266374-1	TAPPING SCREW 4X25		3		73181500		
050	140248-3	CLOTH FILTER COMPLETE		1		48239090		
051	422148-2	BUMPER		1				
052	424382-0	RUBBER HOLDER		1		84679900		
053	266257-5	TAPPING SCREW 4X28		3		73181500		
054	419351-4	HOLDER PLATE		1				
055	419350-6	HOLDER		1				
056	421468-1	CORD SEAL		1		40169390		
057	266192-7	TAPPING SCREW 4X14		4		73181500		
058	213655-4	O RING 56		1		40169320		
059	451348-7	INLET		1				
060	168537-4	HOOK		2		84679900		
061	168535-8	CASTER 50		2				
062	168434-4	CASTER 50		2				
063	649150-2	EARTH LINE 120		1		84679900		
064	451334-8	TANK		1				
065	347171-5	FAN COVER		1		73182990		
066	266326-2	TAPPING SCREW 4X18		3		73181500		
067	457486-3	FAN BASE		1				
068	266326-2	TAPPING SCREW 4X18		4		73181500		
069	619431-8	ROTOR		1				
070	652069-6	FLAT HEAD SCREW M3X6		3		73181500		
071	632J83-8	LEAD UNIT		1				
072	183F90-5	MOTOR HOUSING SET		1				
D10		INC. 73						
073	183F90-5	MOTOR HOUSING SET		1				
D10		INC. 72						
074	629256-2	STATOR		1				
075	620648-8	CONTROLLER B		1				
076	266490-9	TAPPING SCREW PT 2X6		3		73181500		
A01	122512-4	NOZZLE ASS'Y 38		1				
C01	151449-8	ROLLER 40 COMPLETE		2				
C06	415962-3	ROLLER 14		2				
C11	256241-8	PIN 3		2				
C16	265871-4	TAPPING SCREW BT 4X16		6				
C21	154427-7	ELBOW JOINT COMPLETE		1				
C26	415965-7	UPPER NOZZLE		1				
C31	415964-9	JOINT HOLDER		1				
C36	743328-0	BRUSH		1				
C41	743327-2	WIPER		1				
A02	195434-1	HOSE COMPLETE 38-2.5 SET		1		40169390		

