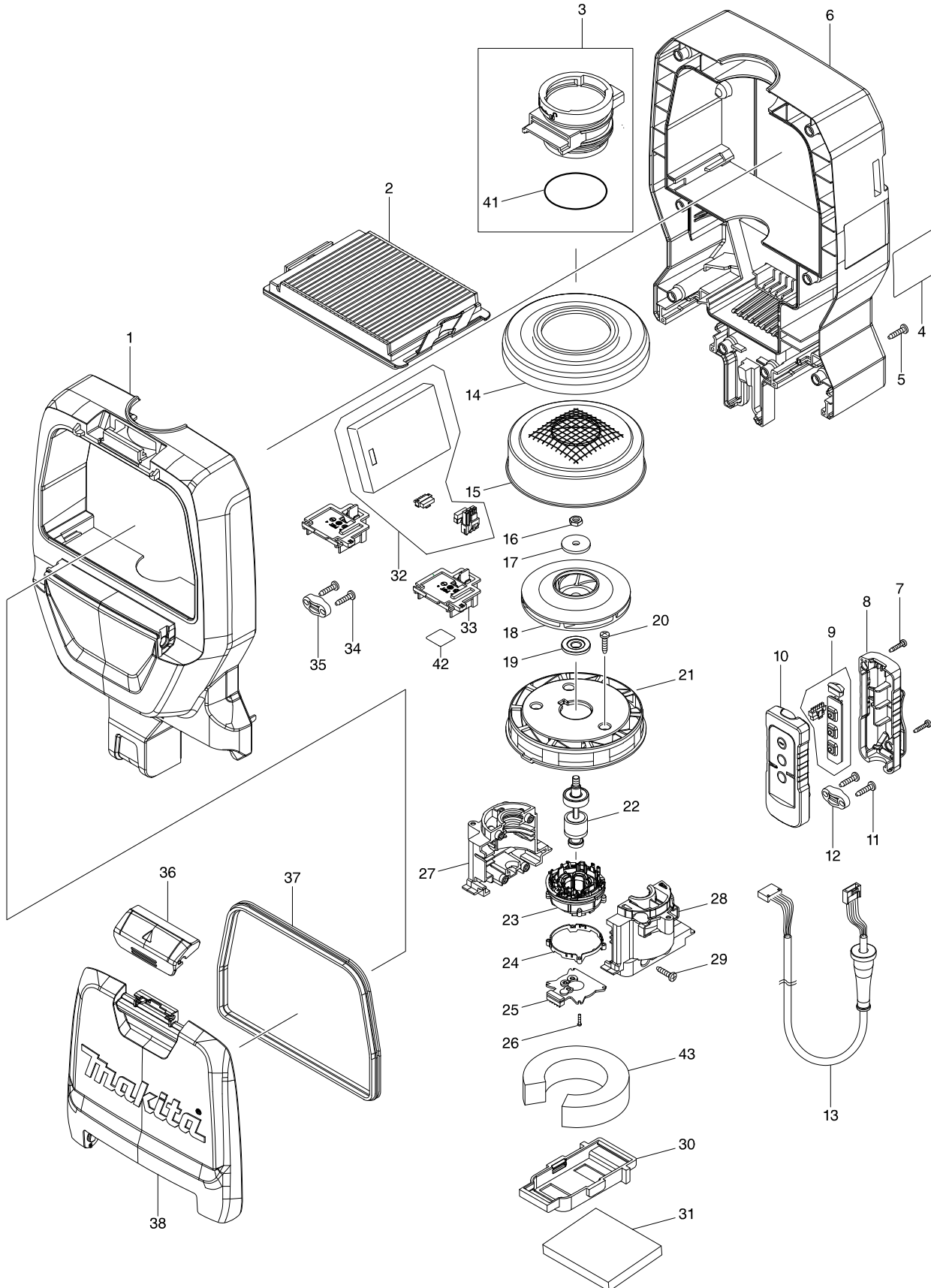
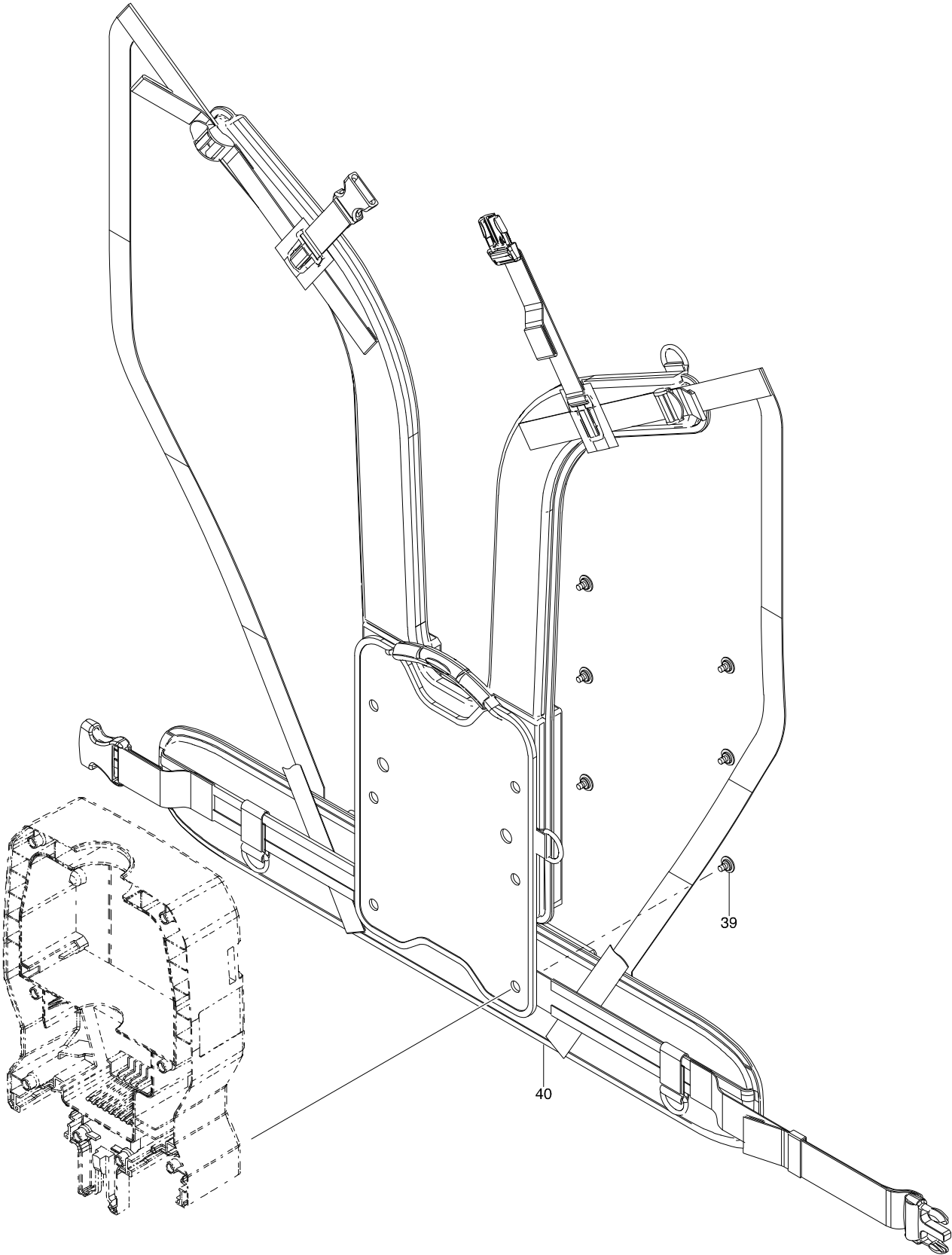


# Model No. DVC261 DC BACKPACK VACUUM CLEANER



Model No. DVC261 DC BACKPACK VACUUM CLEANER



# Model No. DVC261 DC BACKPACK VACUUM CLEANER

Item	Parts No.	Description	I/C	QTY	N/O	Opt. 1	Opt. 2	NOTE
001	140G16-6	UPPER HOUSING COMPLETE		1		84679900		
C10	263005-3	RUBBER PIN 6		4		40169390		
C20	422373-5	BAND DAMPER A		1				
002	123636-9	HEPA FILTER ASSEMBLY		1		84679900		
C10	153820-2	VALVE COMPLETE		1		84818090		
003	135771-1	INLET ASS'Y		1		84679900		
D10		INC. 41						
004	854Y90-3	DVC261 NAME PLATE		1				
005	266326-2	TAPPING SCREW 4X18		8		73181500		
006	140F61-5	LOWER HOUSING COMPLETE		1		84679900		
C10	422374-3	BAND DAMPER B		1				
007	266130-9	TAPPING SCREW BIND PT 3X16		2		73181500		
008	183K74-3	SWITCH CASE SET		1		85365090		
C10	818F86-4	SWITCH LABEL		1				
D10		INC. 10						
009	620525-4	SUB CONTROLLER		1		84679900		
010	183K74-3	SWITCH CASE SET		1		85365090		
C10	818F86-4	SWITCH LABEL		1				
D10		INC. 8						
011	266326-2	TAPPING SCREW 4X18		2		73181500		
012	687123-7	STRAIN RELIEF		1		84679900		
013	699077-6	POWER SUPPLY CORD UNIT		1		85442090		
014	422376-9	SUPPORT RING		1		84679900		
015	161804-6	FAN COVER		1				
016	931303-0	HEX. NUT M6		1	*	73181500		
016-1	252268-6	HEX. NUT M6	O	1				
017	322407-3	WASHER 6		1		73182200		
018	241851-4	FAN 94		1		84145990		
019	313062-2	FLANGE		1		84679900		
020	266326-2	TAPPING SCREW 4X18		3		73181500		
021	456736-3	FAN BASE		1		84679900		
022	619517-8	ROTOR		1	*			
022-1	619517-8	ROTOR	O	1				
023	629381-9	STATOR		1		84679900		
024	687464-1	SUPPORT		1		84679900		
025	620526-2	CONTROLLER B		1		84679900		
026	266786-8	+ PAN HEAD TAPPING SCREW 2X10		4		73181500		
027	183D13-1	MOTOR HOUSING SET		1		84679900		
D10		INC. 28						
028	183D13-1	MOTOR HOUSING SET		1		84679900		
D10		INC. 27						
029	266326-2	TAPPING SCREW 4X18		4		73181500		
030	424837-5	SUPPORT A		1		73182990		
031	424838-3	REAR BLOCK FILTER		2		84219900		
032	620992-3	CONTROLLER		1		84679900		
033	644808-8	TERMINAL		2		73182990		
034	266326-2	TAPPING SCREW 4X18		2		73181500		
035	687123-7	STRAIN RELIEF		1		84679900		

