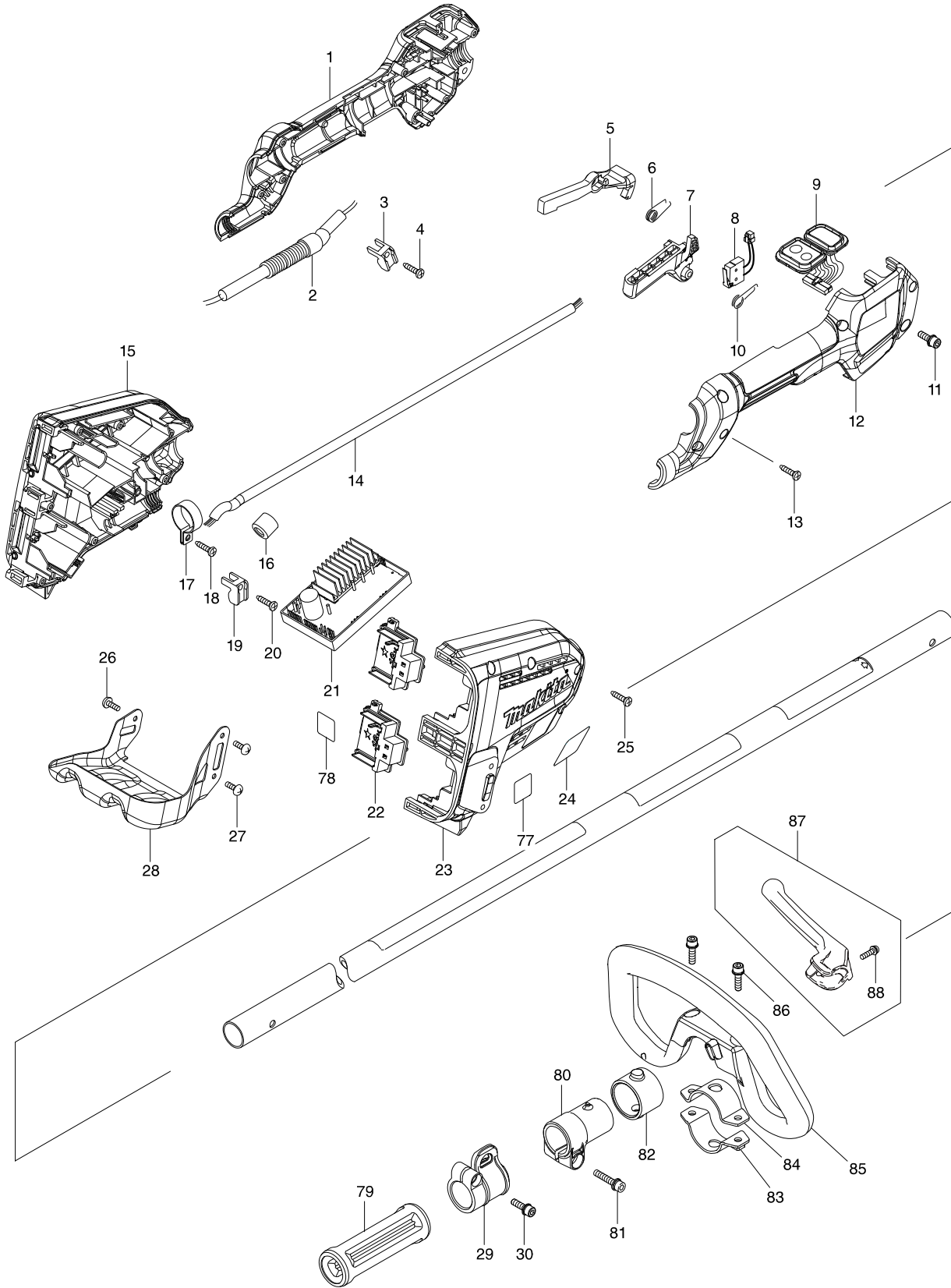
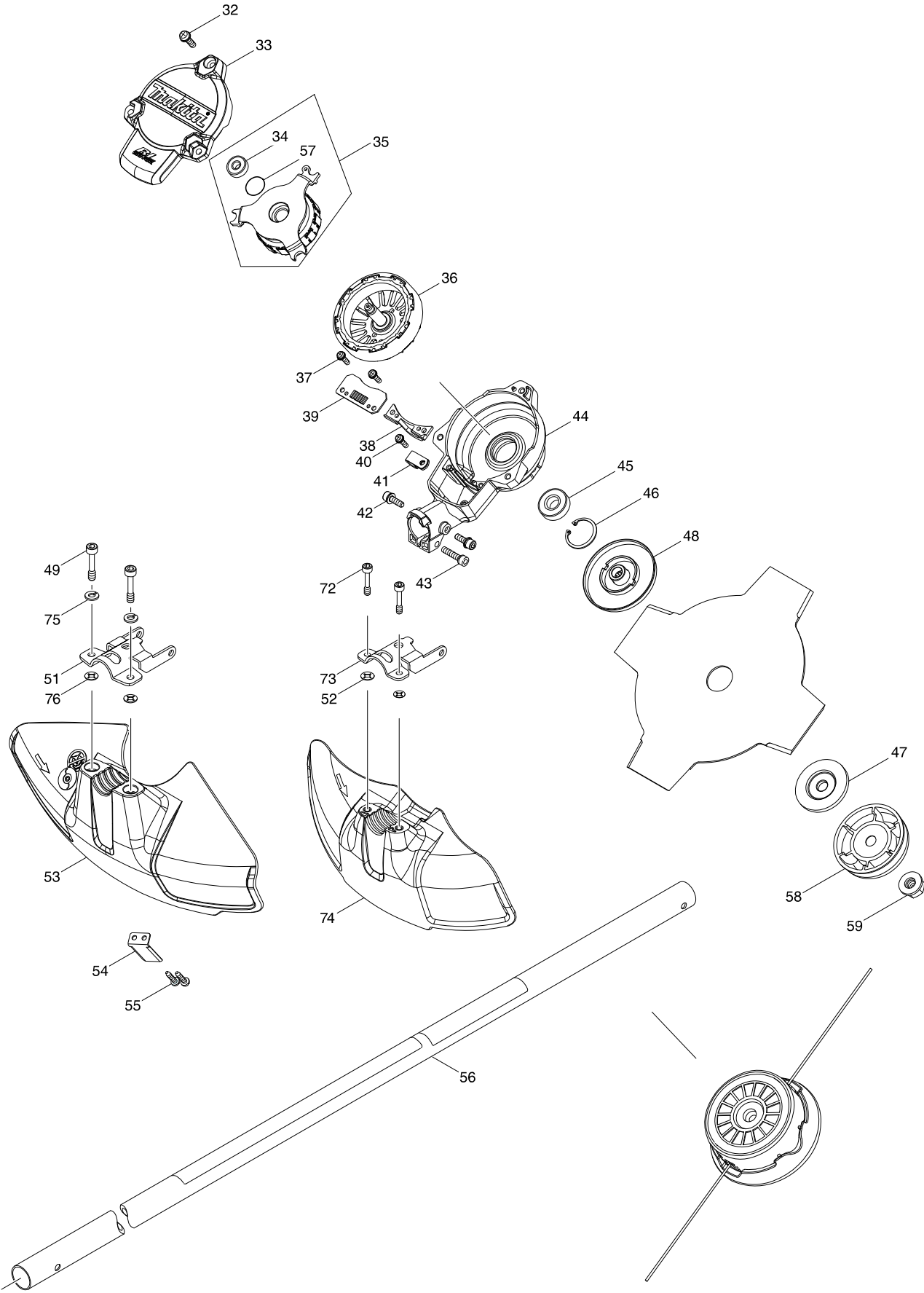


# Model No. DUR368L CORDLESS GRASS TRIMMER



Model No. DUR368L CORDLESS GRASS TRIMMER



# Model No. DUR368L CORDLESS GRASS TRIMMER

Item	Parts No.	Description	I/C	QTY	N/O	Opt. 1	Opt. 2	NOTE
001	183A19-1	GRIP SET		1				
D10		INC. 12						
002	699119-6	POWER SUPPLY CORD UNIT		1				
003	687260-7	STRAIN RELIEF		1	73182990			
004	266326-2	TAPPING SCREW 4X18		1	73181500			
005	455629-1	LOCK OFF LEVER		1	84679900			
006	233621-5	TORSION SPRING 9		1	73209090			
007	455625-9	SWITCH LEVER		1				
008	632E26-0	SWITCH UNIT		1				
009	140L81-5	SUB CONTROLLER COMPLETE G		1				
C10	819N38-6	SWITCH LABEL		1				
C20	819N39-4	INDICATION LABEL		1				
010	233612-6	TORSION SPRING 10		1	73209090			
011	922228-9	H.S.H.BOLT M5X18 WITH WR		1	73181500			
012	183A19-1	GRIP SET		1				
D10		INC. 1						
013	266326-2	TAPPING SCREW 4X18		6	73181500			
014	699067-9	POWER SUPPLY CORD UNIT		1	85442090			
015	183L33-3	HOUSING SET		1				
C10	263005-3	RUBBER PIN 6		4	40169390			
C20	252126-6	HEX. LOCKING NUT M4-7		3	73181500			
D10		INC. 23						
017	346248-3	CLAMP 24		1	73182200			
018	266326-2	TAPPING SCREW 4X18		1	73181500			
019	687260-7	STRAIN RELIEF		1	73182990			
020	266326-2	TAPPING SCREW 4X18		1	73181500			
021	620A36-5	CONTROLLER		1				
022	644808-8	TERMINAL		2	73182990			
023	183L33-3	HOUSING SET		1				
C10	263005-3	RUBBER PIN 6		4	40169390			
C20	252126-6	HEX. LOCKING NUT M4-7		3	73181500			
D10		INC. 15						
024	855V75-4	DUR368L NAME PLATE		1				
025	266326-2	TAPPING SCREW 4X18		7	73181500			
026	251314-2	+ SCREW M4X12		1	73181500			
027	251314-2	+ SCREW M4X12		2	73181500			
028	346858-6	BATTERY GUARD		1	73182200			
029	168478-4	HANGER		1	84679900			
030	922228-9	H.S.H.BOLT M5X18 WITH WR		1	73181500			
032	911233-1	PAN HEAD SCREW M5X20		3	73181500			
033	455626-7	TOP COVER		1	84679900			
034	210062-2	BALL BEARING 607ZZ		1	84821090			
035	529146-8	STATOR ASS'Y		1	85030090			
D10		INC. 34,57						
036	619462-7	ROTOR		1				
037	911128-8	P.H.SCREW M4X16 WITH WR		2	73181500			
038	455628-3	INNER COVER		1	84679900			
039	620562-8	CONTROLLER B		1				

# Model No. DUR368L CORDLESS GRASS TRIMMER

Item	Parts No.	Description	I/C	QTY	N/O	Opt. 1	Opt. 2	NOTE
040	911128-8	P.H.SCREW M4X16 WITH WR		1		73181500		
041	687042-7	STRAIN RELIEF		1		84679900		
042	922223-9	H.S.H.BOLT M5X16 WITH WR		2		73181500		
043	922241-7	HEX. SOCKET HEAD BOLT M5X25		1		73181500		
044	143039-1	MOTOR HOUSING COMPLETE		1		84679900		
045	211131-2	BALL BEARING 6001DDW		1		84821090		
046	962106-1	RETAINING RING R-28		1		73182990		
047	346084-7	CLAMP WASHER		1		73182200		
048	140L84-9	RECEIVE WASHER COMPLETE G		1				
052	261156-6	POLYPROPYLENE WASHER 4		2				
056	140L89-9	PIPE COMPLETE O		1				
C10	819312-8	MAKITA LOGO LABEL		1		83100090		
C20	819N87-3	CAUTION LABEL		1				
057	213325-5	O RING 19		1		40169320		
058	168526-9	CUP		1		84679900		
059	264025-0	HEX. NUT M10-17		1		73181600		
072	266896-1	HEX. SOCKET HEAD BOLT M5X20		2				
073	346785-7	PROTECTOR CLAMP		1				
074	455815-4	PROTECTOR		1		84679900		
078	855V83-5	DUR368L SERIAL NO. LABEL		1				
079	451601-1	SPACER 24		1		73182990		
080	457269-1	PIPE HOLDER 24		1		82078000		
081	922244-1	H.S.H.BOLT M5X25 WITH WG		1				
082	424942-8	DAMPER		1		40169390		
083	347114-7	LOWER CLAMP 35		1		73182990		
084	347113-9	UPPER CLAMP 35		1		73182990		
085	457267-5	LOOP HANDLE		1				
086	922234-4	H.S.H.BOLT M5X20 WITH WG		2				
087	144315-6	BARRIER COMPLETE		1		39269010		
D10		INC. 88						
088	911128-8	P.H.SCREW M4X16 WITH WR		1		73181500		
A01	125516-5	BAND ASSEMBLY		1		84679900		
A03	195246-2	SAFETY GOGGLE		1		90049090		
A04	195150-5	CUTTER BLADE SET		1				
A05	456924-2	TOOL COVER		1				
A06	783202-0	HEX. WRENCH 4		1		82041120		
A07	831304-7	ACCESSORY BAG		1		42022990		
A09	783013-3	BOX DRIVER 16-17		1				
A11B	***DC18RD	DC18RD TWO PORT FAST CHARGER		1				
D10		COMPO-PARTS						
A12B	198013-4	BATTERY BL1850B SET		2				