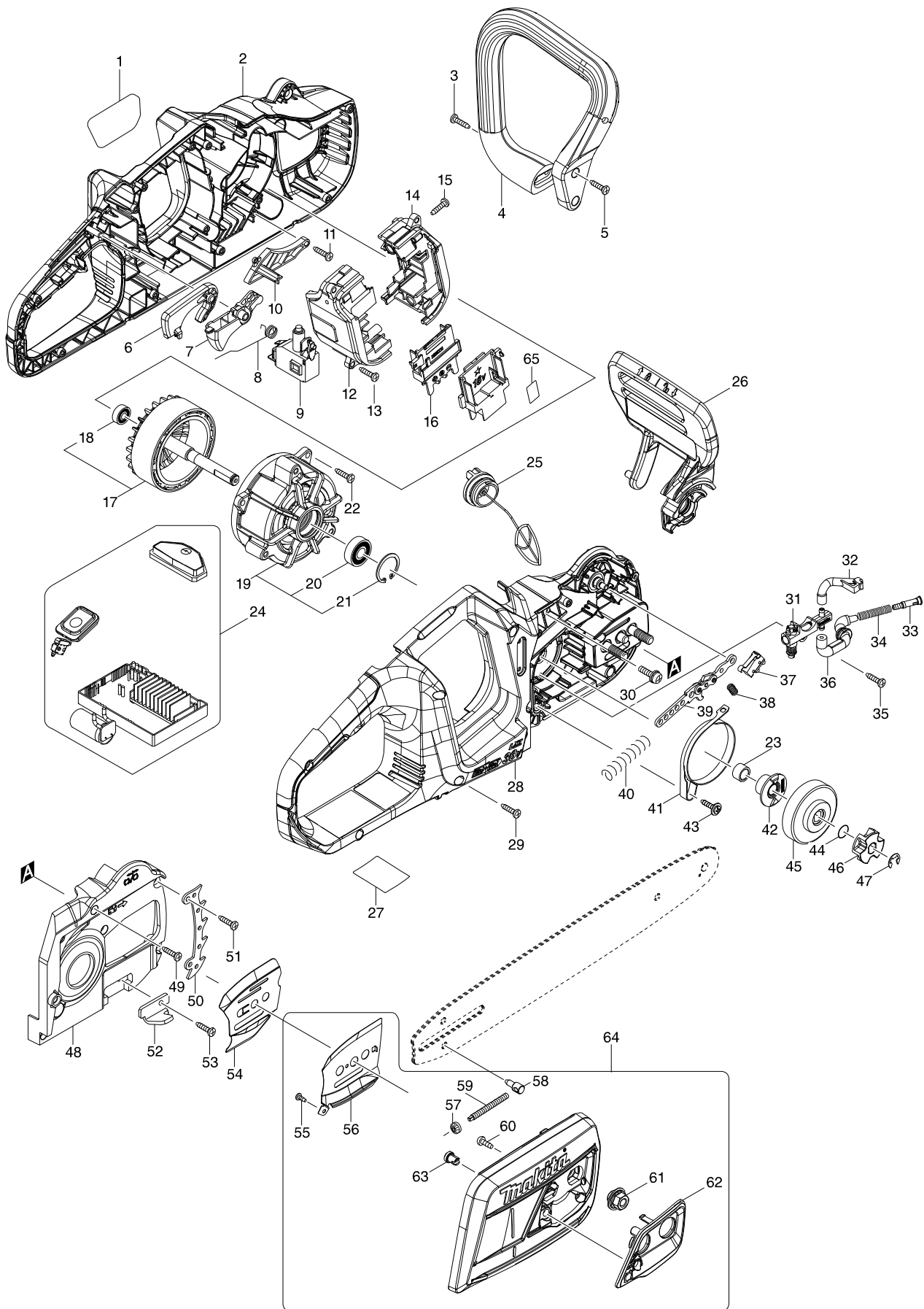


# Model No. DUC355 350MM CORDLESS CHAIN SAW



# Model No. DUC355 350MM CORDLESS CHAIN SAW

Item	Parts No.	Description	I/C	QTY	N/O	Opt. 1	Opt. 2	NOTE
001	818F45-8	DUC355 MODEL NO. LABEL		1				
002	183K77-7	HOUSING SET		1	*	84679900		
	C10	812D16-5	CAUTION LABEL	1	*			
	D10		INC. 28		*			
002-1	183K77-7	HOUSING SET	O	1		84679900		
	C10	812D16-5	CAUTION LABEL	1				
	D10		INC. 28					
003	266326-2	TAPPING SCREW 4X18		2		73181500		
004	457007-1	FRONT HANDLE		1		84679900		
005	266326-2	TAPPING SCREW 4X18		2		73181500		
006	457013-6	CATCH LEVER		1		84679900		
007	457006-3	SWITCH LEVER		1		39269099		
008	232318-3	TORSION SPRING 10		1		73209090		
009	650781-2	SWITCH C3JW-6B-P		1		85366990		
010	457010-2	HOUSING L COVER		1		84679900		
011	266326-2	TAPPING SCREW 4X18		1		73181500		
012	183F15-9	TERMINAL BOX SET		1		84679900		
	C10	263005-3	RUBBER PIN 6	4		40169390		
	D10		INC. 14					
013	266326-2	TAPPING SCREW 4X18		4		73181500		
014	183F15-9	TERMINAL BOX SET		1		84679900		
	C10	263005-3	RUBBER PIN 6	4		40169390		
	D10		INC. 12					
015	266326-2	TAPPING SCREW 4X18		2		73181500		
016	643874-2	TERMINAL		2		73182990		
017	519411-3	ROTOR ASS'Y		1		84679900		
	D10		INC. 18					
018	210028-2	BALL BEARING 606ZZ		1		84821090		
019	592H45-5	STATOR ASS'Y		1		84679900		
	D10		INC. 20,21					
020	210059-1	BALL BEARING 6000DDW		1		84821090		
021	962105-3	RETAINING RING R-26		1		73182990		
022	266326-2	TAPPING SCREW 4X18		3		73181500		
023	257402-3	SLEEVE 10		1		73182990		
024	144007-7	CONTROLLER COMPLETE		1		84679900		
025	168508-1	TANK CAP COMPLETE		1				
	C10	213355-6	O-RING 25	1				
026	458418-3	FRONT HAND GUARD		1				
027	855A12-2	DUC355 NAME PLATE		1				
028	183K77-7	HOUSING SET		1	*	84679900		
	C10	812D16-5	CAUTION LABEL	1	*			
	D10		INC. 2		*			
028-1	183K77-7	HOUSING SET	O	1		84679900		
	C10	812D16-5	CAUTION LABEL	1				
	D10		INC. 2					
029	266326-2	TAPPING SCREW 4X18		8		73181500		
030	911233-1	PAN HEAD SCREW M5X20		3		73181500		
031	142156-4	OIL PUMP COMPLETE		1		84133090		

Item	Parts No.	Description	I/C	QTY	N/O	Opt. 1	Opt. 2	NOTE
032	424904-6	CONNECTOR B		1		84679900		
033	452666-6	NIPPLE		1		40169390		
034	234207-8	COMPRESSION SPRING 6		1		73209090		
035	266326-2	TAPPING SCREW 4X18		1		73181500		
036	424903-8	CONNECTOR A		1		84679900		
037	632H47-0	SWITCH UNIT		1		85366990		
038	231298-0	COMPRESSION SPRING 6		1		73209090		
039	163448-8	LINKPLATE COMPLETE		1		84679900		
040	232319-1	COMPRESSION SPRING 9		1		73209090		
041	345454-7	BRAKE BAND		1		73182990		
042	221427-3	WORM GEAR		1		84834000		
043	265620-9	TAPPING SCREW FLANGE 4X18		1				
044	213060-5	O RING 10		1				
045	161891-5	BRAKE DRUM COMPLETE		1				
046	221464-7	SPROCKET 6		1		73182990		
047	961013-5	STOP RING E-7		1		73182990		
048	457004-7	HOUSING R COVER		1		84679900		
049	266326-2	TAPPING SCREW 4X18		4		73181500		
050	347078-5	SPIKE BUMPER		1		84679900		
051	266326-2	TAPPING SCREW 4X18		2		73181500		
052	347079-3	CHAIN CATCHER		1		84679900		
053	266326-2	TAPPING SCREW 4X18		1		73181500		
054	346694-0	GUIDE PLATE ES		1				
055	266166-8	TAPPING SCREW CT 3X8		2				
056	346699-0	GUIDE PLATE CS		1				
057	227496-2	STRAIGHT BEVEL GEAR 14		1		84679900		
058	326311-8	ADJUST PIN		1				
059	326313-4	ADJUST SCREW		1				
060	266427-6	TAPPING SCREW 4X12		2		73181500		
061	162493-0	FLANGE NUT COMPLETE		2	*			
061-1	162493-0	FLANGE NUT COMPLETE	O	2				
062	454620-6	NUT COVER		1				
063	227620-7	DRIVE GEAR		1				
064	136071-2	SPROCKET COVER ASSY		1				
D10		INC. 55-63			*			
D11		INC. 55-63,66						
065	855A18-0	DUC355 SERIAL NO. LABEL		1				
066	458871-3	SPROCKET COVER		1		84679900		
A01	782027-9	BOX WRENCH		1				
A02	165246-6	GUIDE BAR		1		84679900		
A03	419288-5	CHAIN COVER		1		84679900		
A04	196741-5	SAW CHAIN SET		1				
A05	182229-1	OIL SUPPLY 100CC		1		40169390		
A06B	***DC18RD	DC18RD TWO PORT FAST CHARGER		1				
D10		COMPO-PARTS						
A07B	198013-4	BATTERY BL1850B SET		2				