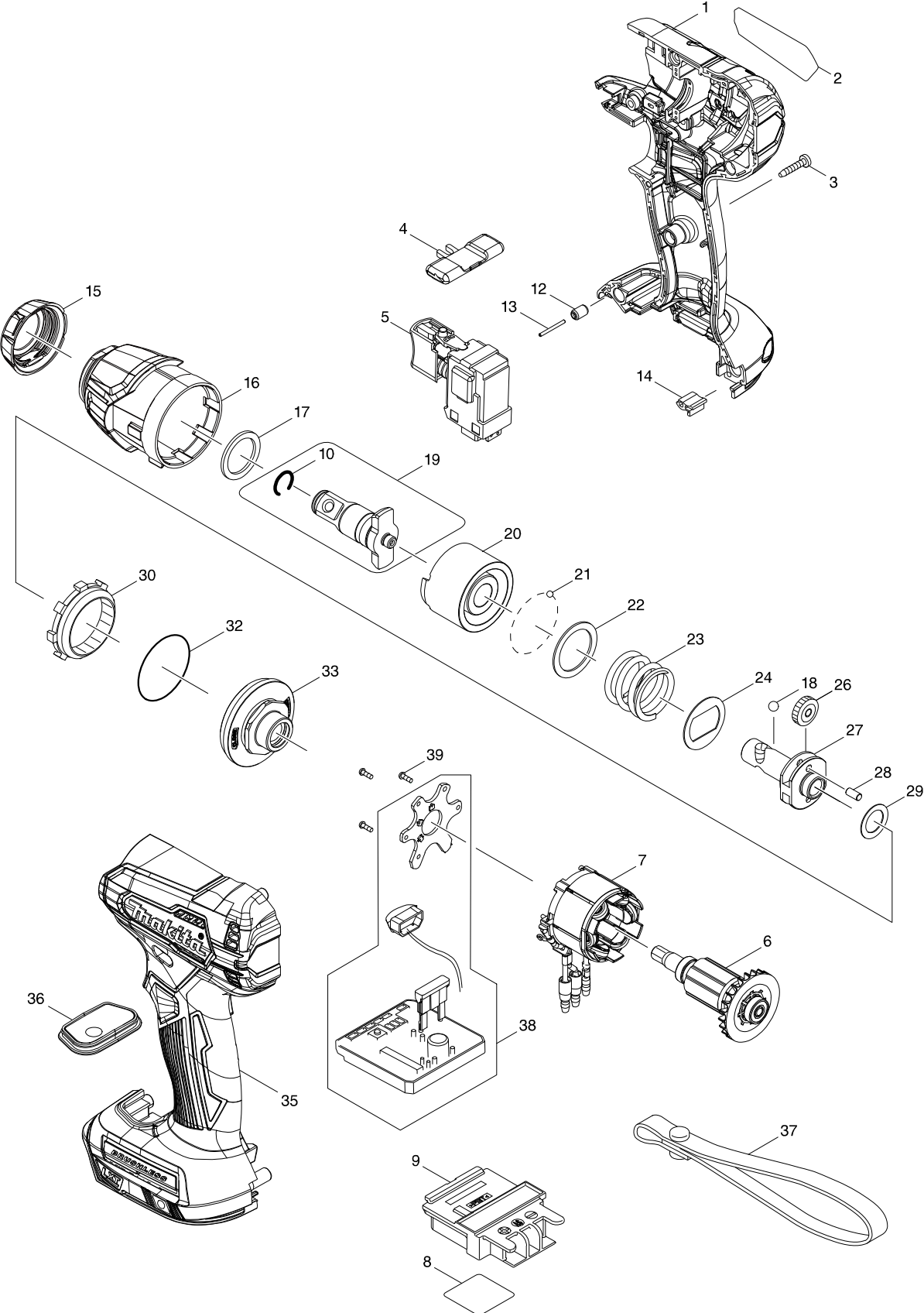


Model No. DTW181 CORDLESS IMPACT WRENCH



Model No. DTW181 CORDLESS IMPACT WRENCH

| Item | Parts No. | Description | I/C | QTY | N/O | Opt. 1 | Opt. 2 | NOTE |
|------|-----------|--------------------------|-----|-----|-----|----------|--------|------|
| 001 | 183J24-2 | HOUSING SET | | 1 | | 84679900 | | |
| C10 | 263005-3 | RUBBER PIN 6 | | 2 | | 40169390 | | |
| C20 | 252126-6 | HEX. LOCKING NUT M4-7 | | 2 | | 73181500 | | |
| D10 | | INC. 35 | | | | | | |
| 002 | 855C45-9 | DTW181 NAME PLATE | | 1 | | | | |
| 003 | 266429-2 | TAPPING SCREW 3X16 | | 9 | | 73181500 | | |
| 004 | 455053-8 | F/R CHANGE LEVER | | 1 | | 73182990 | | |
| 005 | 143975-1 | SWITCH COMPLETE | | 1 | | 85366990 | | |
| C10 | 424890-1 | SWITCH COVER | | 1 | | | | |
| 006 | 619491-0 | ROTOR | | 1 | | 84679900 | | |
| 007 | 629334-8 | STATOR | | 1 | | 85030090 | | |
| 008 | 855C51-4 | DTW181 SERIAL NO. LABEL | | 1 | | | | |
| 009 | 643860-3 | TERMINAL | | 1 | | 73182990 | | |
| 010 | 231907-1 | RING SPRING 10 | | 1 | | 73209090 | | |
| 012 | 263036-2 | RUBBER PIN 5 | | 1 | | 40169390 | | |
| 013 | 268284-8 | PIN 1.5 | | 1 | | 73182990 | | |
| 014 | 424517-3 | CUSHION | | 1 | | 84679900 | | |
| 015 | 422407-4 | BUMPER | | 1 | | 84679900 | | |
| 016 | 140E43-1 | HAMMER CASE COMPLETE | | 1 | | 84679900 | | |
| C10 | 213207-1 | O RING 16 | | 1 | * | | | |
| C11 | 213882-3 | O-RING 16 | < | 1 | | | | |
| 017 | 261159-0 | NYLON WASHER 19 | | 1 | | 73182200 | | |
| 018 | 216002-8 | STEEL BALL 4.8 | | 2 | | 73182990 | | |
| 019 | 136030-6 | ANVIL E ASSY | | 1 | | 84679900 | | |
| D10 | | INC. 10 | | | | | | |
| 020 | 327200-0 | HAMMER | | 1 | | 84679900 | | |
| 021 | 216019-1 | STEEL BALL 3 | | 24 | | 73182990 | | |
| 022 | 267352-4 | FLAT WASHER 22 | | 1 | | 73182200 | | |
| 023 | 232489-6 | COMPRESSION SPRING 21 | | 1 | | 84679900 | | |
| 024 | 267813-4 | WASHER 21 | | 1 | | 73182200 | | |
| 026 | 221437-0 | SPUR GEAR 17 | | 2 | | | | |
| 027 | 327046-4 | SPINDLE | | 1 | | 84679900 | | |
| 028 | 268217-3 | PIN 3.5 | | 2 | | 73182990 | | |
| 029 | 253052-2 | FLAT WASHER 12 | | 1 | | 84679900 | | |
| 030 | 227316-0 | INTERNAL GEAR 43 | | 1 | | 84679900 | | |
| 032 | 213479-8 | O RING 33 | | 1 | | 40169320 | | |
| 033 | 140G75-0 | BEARING BOX COMPLETE | | 1 | | | | |
| C10 | 213845-9 | O-RING 13 | | 1 | | | | |
| 035 | 183J24-2 | HOUSING SET | | 1 | | 84679900 | | |
| C10 | 263005-3 | RUBBER PIN 6 | | 2 | | 40169390 | | |
| C20 | 252126-6 | HEX. LOCKING NUT M4-7 | | 2 | | 73181500 | | |
| D10 | | INC. 1 | | | | | | |
| 036 | 144828-7 | SWITCH PLATE COMPLETE | | 1 | | 73262090 | | |
| 038 | 620743-4 | CONTROLLER | | 1 | | 84679900 | | |
| 039 | 266490-9 | TAPPING SCREW PT 2X6 | | 3 | | 73181500 | | |
| A01 | 346317-0 | HOOK | | 1 | | 73182990 | | |
| A02 | 266622-8 | + TRUSS HEAD SCREW M4X12 | | 1 | | 73181500 | | |
| A03B | ***DC18RC | DC18RC FAST CHARGER | | 1 | | | | |

