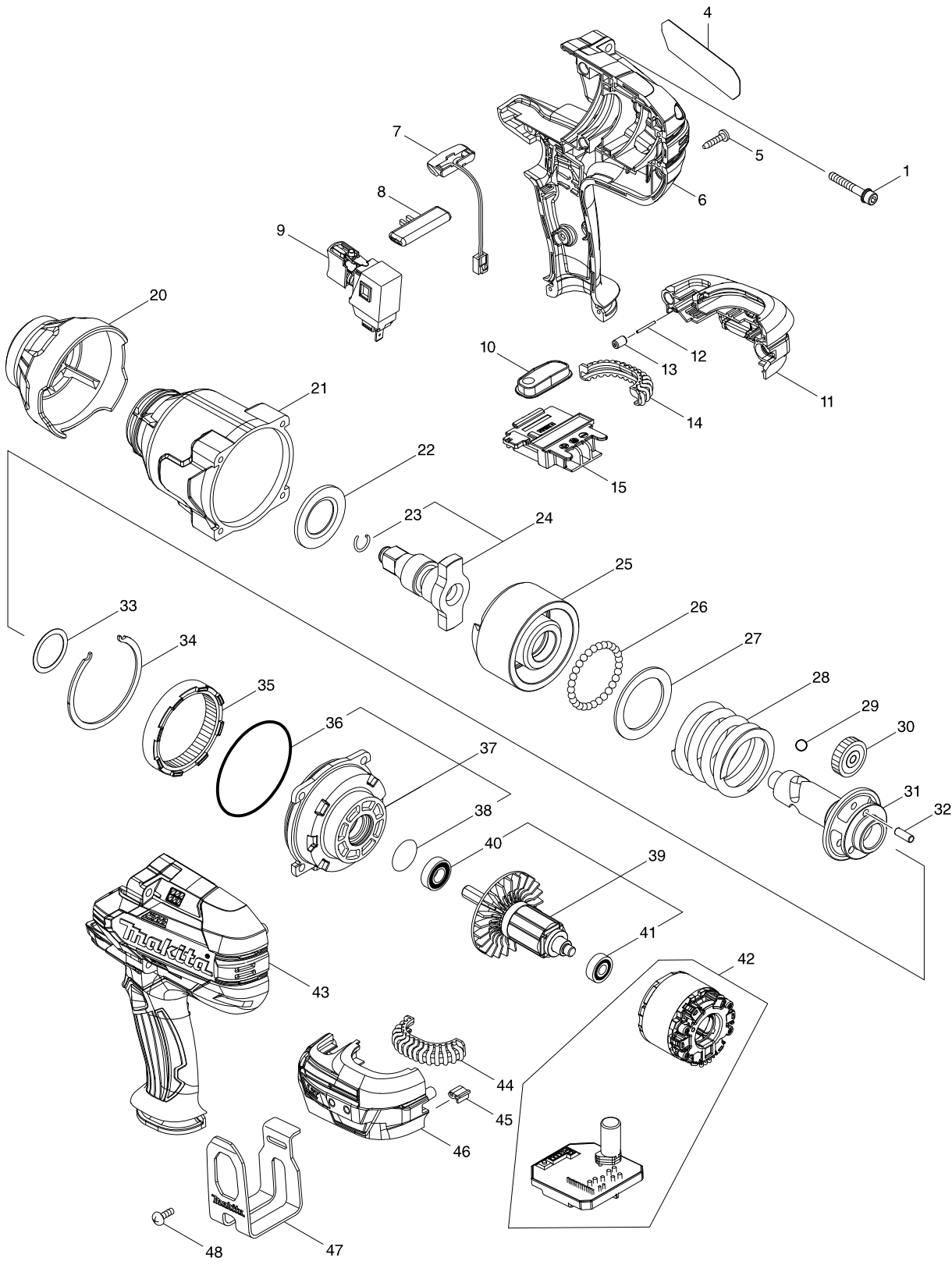


Model No. DTW1002 CORDLESS IMPACT WRENCH



Model No. DTW1002 CORDLESS IMPACT WRENCH

Item	Parts No.	Description	I/C	QTY	N/O	Opt. 1	Opt. 2	NOTE
001	251476-6	H.S.H.BOLT M5X35 WITH WR		4		73181500		
004	851K57-8	DTW1002 NAME PLATE		1				
005	266326-2	TAPPING SCREW 4X18		9		73181500		
006	183C08-8	HOUSING SET		1	*			
D10		INC. 43			*			
006-1	183H36-3	HOUSING SET	O	1		84672900		
D10		INC. 43						
007	620351-1	LED CIRCUIT		1		94054090		
008	456268-0	F/R CHANGE LEVER		1		73182990		
009	143416-7	SWITCH COMPLETE		1		85366990		
010	143417-5	SWITCH PLATE COMPLETE		1		73182990		
011	183C12-7	BATTERY HOUSING SET		1		84679900		
C10	263005-3	RUBBER PIN 6		2		40169390		
D10		INC. 46						
012	268284-8	PIN 1.5		1		73182990		
013	263036-2	RUBBER PIN 5		1		40169390		
014	424773-5	CUSHION RUBBER		1		40169390		
015	643899-6	TERMINAL		1		85369090		
020-1	424978-7	BUMPER		1		40169390		
021-1	144473-8	HAMMER CASE COMPLETE		1				
022	346948-5	WASHER 25		1		73182200		
023-1	232323-0	RING SPRING 10		1				
024-2	135804-2	ANVIL W ASS'Y		1		84679900		
D10		INC. 23						
025	326613-2	HAMMER		1				
026	216002-8	STEEL BALL 4.8		29		73182990		
027	267493-6	FLAT WASHER 38		1		73182200		
028	234383-8	COMPRESSION SPRING 38		1		73209090		
029	216009-4	STEEL BALL 7.1		2		73182990		
030	227391-6	SPUR GEAR 24		3	*	84679900		
030-1	226879-3	SPUR GEAR 24	<	3	*	84834000		
030-2	226880-8	SPUR GEAR 24	O	3		84834000		
031	326611-6	SPINDLE		1		84679900		
032	268079-9	PIN 5		3		73182990		
033	267494-4	FLAT WASHER 25		1		73182200		
034	346947-7	RETAINER		1		73182990		
035	227392-4	INTERNAL SPUR GEAR 54		1		84679900		
036	213720-9	O RING 67		1		40169320		
037	135718-5	INTERNAL GEAR CASE ASS'Y		1		84679900		
D10		INC. 36,38						
038	213961-7	O RING 22		1		40169320		
039	519384-0	ROTOR ASS'Y		1		85030090		
D10		INC. 40,41						
040	210069-8	BALL BEARING 6900DDW		1		84821090		
041	211022-7	BALL BEARING 607ZZ		1		84821090		
042	629170-2	STATOR COMPLETE		1	*	84679900		
042-1	629330-6	STATOR COMPLETE	<	1		85030090		
043	183C08-8	HOUSING SET		1	*			

