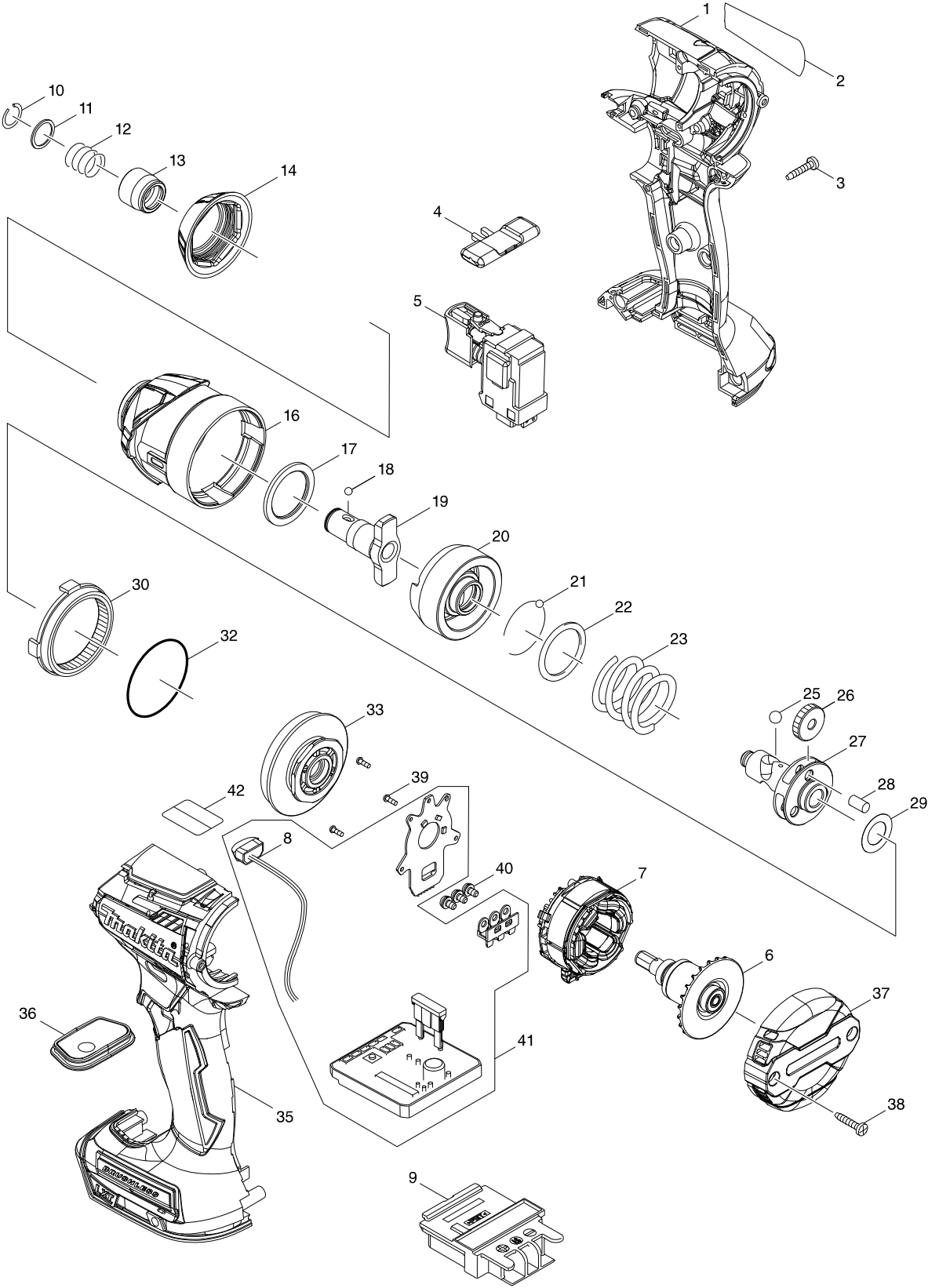


Model No. DTD154 CORDLESS IMPACT DRIVER



Model No. DTD154 CORDLESS IMPACT DRIVER

| Item | Parts No. | Description | I/C | QTY | N/O | Opt. 1 | Opt. 2 | NOTE |
|-------|-----------|--------------------------|-----|-----|-----|----------|--------|------|
| 001 | 183E36-5 | HOUSING SET | | 1 | | 84679900 | | |
| C10 | 263005-3 | RUBBER PIN 6 | | 2 | | 40169390 | | |
| C20 | 252126-6 | HEX. LOCKING NUT M4-7 | | 2 | | 73181500 | | |
| D10 | | INC. 35 | | | | | | |
| 002 | 852L16-1 | DTD154 NAME PLATE | | 1 | | | | |
| 003 | 266429-2 | TAPPING SCREW 3X16 | | 8 | | 73181500 | | |
| 004 | 455053-8 | F/R CHANGE LEVER | | 1 | | 73182990 | | |
| 005 | 143975-1 | SWITCH COMPLETE | | 1 | | 85366990 | | |
| 006 | 619408-3 | ROTOR | | 1 | | 84679900 | | |
| 007 | 629217-2 | STATOR | | 1 | | | | |
| 008 | 620557-1 | LED CIRCUIT | | 1 | | | | |
| 009 | 643860-3 | TERMINAL | | 1 | | 73182990 | | |
| 010 | 231951-8 | RING SPRING 11 | | 1 | | 73209090 | | |
| 011 | 267085-1 | FLAT WASHER 12 | | 1 | | 73182200 | | |
| 012 | 233005-7 | COMPRESSION SPRING 13 | | 1 | | 73209090 | | |
| 013 | 326072-0 | BIT SLEEVE | | 1 | | 82079090 | | |
| 014 | 424873-1 | BUMPER | | 1 | | 84679900 | | |
| 016 | 143951-5 | HAMMER CASE COMPLETE | | 1 | | 84679900 | | |
| 017 | 261155-8 | NYLON WASHER 24 | | 1 | | | | |
| 018 | 216001-0 | STEEL BALL 3.5 | | 2 | | 73182990 | | |
| 019 | 326508-9 | ANVIL M | | 1 | | | | |
| 020 | 326711-2 | HAMMER | | 1 | * | | | |
| 020-1 | 327155-9 | HAMMER | O | 1 | | | | |
| 021 | 216001-0 | STEEL BALL 3.5 | | 24 | | 73182990 | | |
| 022 | 267175-0 | FLAT WASHER 24 | | 1 | | 73182200 | | |
| 023 | 234331-7 | COMPRESSION SPRING 24 | | 1 | | | | |
| 025 | 216041-8 | STEEL BALL 5.6 | | 2 | | 73182990 | | |
| 026 | 227338-0 | SPUR GEAR 22 | | 3 | | 84839000 | | |
| 027 | 326783-7 | SPINDLE | | 1 | | 84679900 | | |
| 028 | 268311-1 | PIN 5 | | 3 | | 73182990 | | |
| 029 | 253314-8 | THIN WASHER 15 | | 1 | | | | |
| 030 | 221457-4 | INTERNAL GEAR 51 | | 1 | | 84834000 | | |
| 032 | 213507-9 | O RING 40 | | 1 | | 40169320 | | |
| 033 | 143976-9 | BEARING BOX COMPLETE | | 1 | | 84833000 | | |
| 035 | 183E36-5 | HOUSING SET | | 1 | | 84679900 | | |
| C10 | 263005-3 | RUBBER PIN 6 | | 2 | | 40169390 | | |
| C20 | 252126-6 | HEX. LOCKING NUT M4-7 | | 2 | | 73181500 | | |
| D10 | | INC. 1 | | | | | | |
| 036 | 143954-9 | SWITCH PLATE COMPLETE | | 1 | | 39269099 | | |
| 037 | 457069-9 | REAR COVER | | 1 | | 84679900 | | |
| 038 | 266429-2 | TAPPING SCREW 3X16 | | 2 | | 73181500 | | |
| 039 | 266490-9 | TAPPING SCREW PT 2X6 | | 3 | | 73181500 | | |
| 040 | 652069-6 | FLAT HEAD SCREW M3X6 | | 3 | | 73181500 | | |
| 041 | 620564-4 | CONTROLLER | | 1 | | 84679900 | | |
| D10 | | INC. 8 | | | | | | |
| A01 | 266622-8 | + TRUSS HEAD SCREW M4X12 | | 1 | | 73181500 | | |
| A02 | 346317-0 | HOOK | | 1 | | 73182990 | | |
| A03B | 450128-8 | BATTERY COVER | | 1 | | 39269099 | | |

