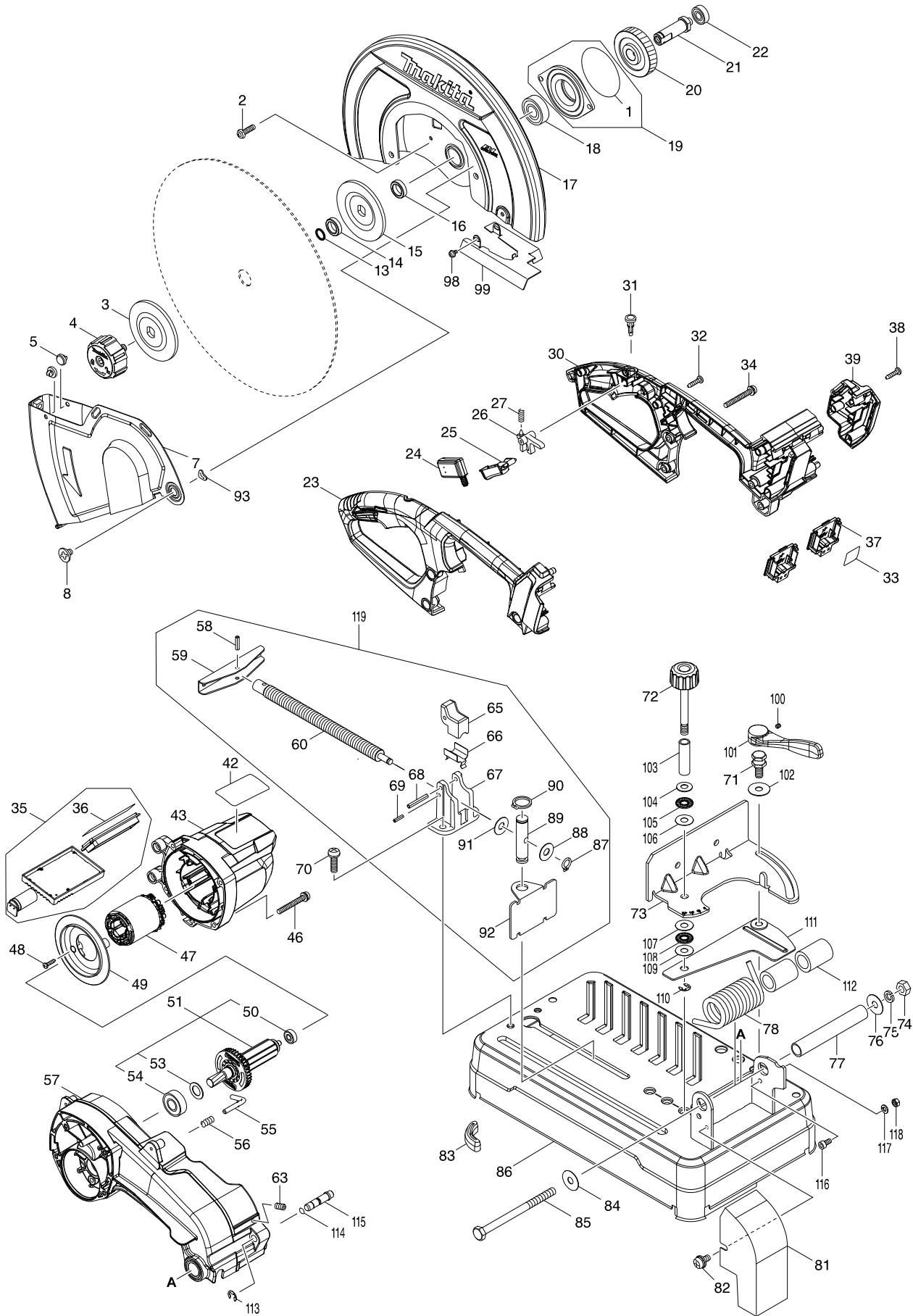


# Model No. DLW140 355MM DC PORTABLE CUT-OFF



# Model No. DLW140 355MM DC PORTABLE CUT-OFF

Item	Parts No.	Description	I/C	QTY	N/O	Opt. 1	Opt. 2	NOTE
001	213858-0	O-RING 65		1		40169320		
002	265122-5	PAN HEAD SCREW M5X20		4		73181500		
003	224299-5	FLANGE 90		1		73182990		
004	123478-1	TOOLLESSBOLT ASSEMBLY		1		84679900		
005	418142-0	PLUG		2		40169390		
007	162488-3	SAFETY GUIDE		1		84679900		
008	265121-7	+ FLAT HEAD SCREW M6		1		73181500		
013	213180-5	O RING 14		1		40169320		
014	257255-0	RING 17		1		73182990		
015	224299-5	FLANGE 90		1		73182990		
016	257255-0	RING 17		1		73182990		
017	162489-1	SAFETY COVER		1		84679900		
018	211282-1	BALL BEARING 6203ZZ		1		84821090		
019	136029-1	BEARING BOX ASSY		1		84828000		
D10		INC. 1						
020	227811-0	HELICAL GEAR 50		1		84834000		
021	324321-9	SPINDLE		1		84679900		
022	210067-2	BALL BEARING 6000ZZ		1		84821090		
023	183K57-3	HANDLE SET		1		84679900		
C10	263005-3	RUBBER PIN 6		3		40169390		
D10		INC. 30						
024	651083-9	SWITCH C3XA-1PSPM		1		85365000		
025	458737-7	SWITCH LEVER		1		84679900		
026	418139-9	SWITCH LOCK		1		73182990		
027	231397-8	COMPRESSION SPRING 4		1		73209090		
030	183K57-3	HANDLE SET		1		84679900		
C10	263005-3	RUBBER PIN 6		3		40169390		
D10		INC. 23						
031	417113-4	SWITCH BUTTON		1		39269099		
032	266326-2	TAPPING SCREW 4X18		5		73181500		
033	854Y37-7	DLW140 SERIAL NO. LABEL		1				
034	265104-7	PAN HEAD SCREW M5X40		4		73181500		
035	620982-6	CONTROLLER COMPLETE		1		84679900		
D10		INC. 36						
036	818B34-9	INDICATION LABEL		1				
037	644809-6	TERMINAL		2				
038	266326-2	TAPPING SCREW 4X18		3		73181500		
039	140D72-8	BATTERY COVER COMPLETE		1		84679900		
C10	263005-3	RUBBER PIN 6		1		40169390		
042	854Y30-1	DLW140 NAME PLATE		1				
043	458733-5	MOTOR HOUSING		1		84679900		
046	265104-7	PAN HEAD SCREW M5X40		4		73181500		
047	629377-0	STATOR		1		84679900		
048	266326-2	TAPPING SCREW 4X18		2		73181500		
049	458736-9	BAFFLE PLATE		1		84679900		
050	210062-2	BALL BEARING 607ZZ		1		84821090		
051	519537-1	ROTOR ASSY		1		84679900		
D10		INC. 50,53,54						

# Model No. DLW140 355MM DC PORTABLE CUT-OFF

Item	Parts No.	Description	I/C	QTY	N/O	Opt. 1	Opt. 2	NOTE
053	267274-8	FLAT WASHER 15		1		73182200		
054	211240-7	BALL BEARING 6202ZZ		1		84821090		
055	324322-7	STOPPER		1		84679900		
056	233372-0	COMPRESSION SPRING 7		1		73209090		
057	140D69-7	GEAR HOUSING COMPLETE		1		84679900		
C10	263005-3	RUBBER PIN 6		1		40169390		
058	951163-4	SPRING PIN 5-20		1		73182990		
059	272027-2	HANDLE 120		1		84679900		
060	324323-5	WISE SCREW		1	*	73181500		
060-1	326802-9	WISE SCREW	O	1		73181500		
063	266321-2	H.S.SET SCREW(FLAT POINT)M6X16		1		73181500		
065	313114-9	WISE NUT		1		73181600		
066	345311-9	PLATE		1		73182990		
067	317662-0	SCREW GUIDE		1		84679900		
068	951175-7	SPRING PIN 5-36		1		73182990		
069	951110-5	SPRING PIN 4-16		1		73182990		
070	265125-9	PAN HEAD SCREW M8X30		2		73181500		
071	266996-7	COLLAR BOLT M10X20		1		73181500		
072	271331-6	KNOB 40		1		40169390		
073	346970-2	GUIDE PLATE		1		73182990		
074	252183-4	HEX.NUT M10-17		1		73181500		
075	942251-8	SPRING WASHER 10		1		73182200		
076	253197-6	FLAT WASHER 10		1		84679900		
077	331648-0	PIPE 20-128		1		73182990		
078	232478-1	TORSION SPRING 33		1		84679900		
081	161399-9	SPARK GUARD		1		84679900		
082	265144-5	PAN HEAD SCREW M6X12		1		73181500		
083	421834-2	CUSHION		3		40169390		
084	253197-6	FLAT WASHER 10		1		84679900		
085	265509-1	HEX.BOLT M10X140		1		73181500		
086	161397-3	BASE		1		84679900		
087	961004-6	RETAINING RING S-8		1		73182990		
088	267257-8	FLAT WASHER 8		1		73182200		
089	256545-8	PIN 16		1		73182990		
090	961056-7	RETAINING RING S-16		1		73182990		
091	267257-8	FLAT WASHER 8		1		73182200		
092	346636-4	WISE PLATE		1		82078000		
093	253903-9	WAVE WASHER 6		1		84679900		
098	911103-4	PAN HEAD SCREW M4X6		2		73181500		
099	346971-0	SPARK COVER		1		73182990		
100	266264-8	H.S.SET SCREW(FLAT POINT)M5X6		1		73181500		
101	272286-8	LEVER 125		1		39269099		
102	253197-6	FLAT WASHER 10		1		84679900		
103	257389-9	SLEEVE 11		1		73182990		
104	253180-3	FLAT WASHER 10		1		84679900		
105	216413-7	THRUST NEEDLE CAGE 1024		1		73182200		
106	253353-8	THIN WASHER 10		1		84679900		
107	253353-8	THIN WASHER 10		1		84679900		

