

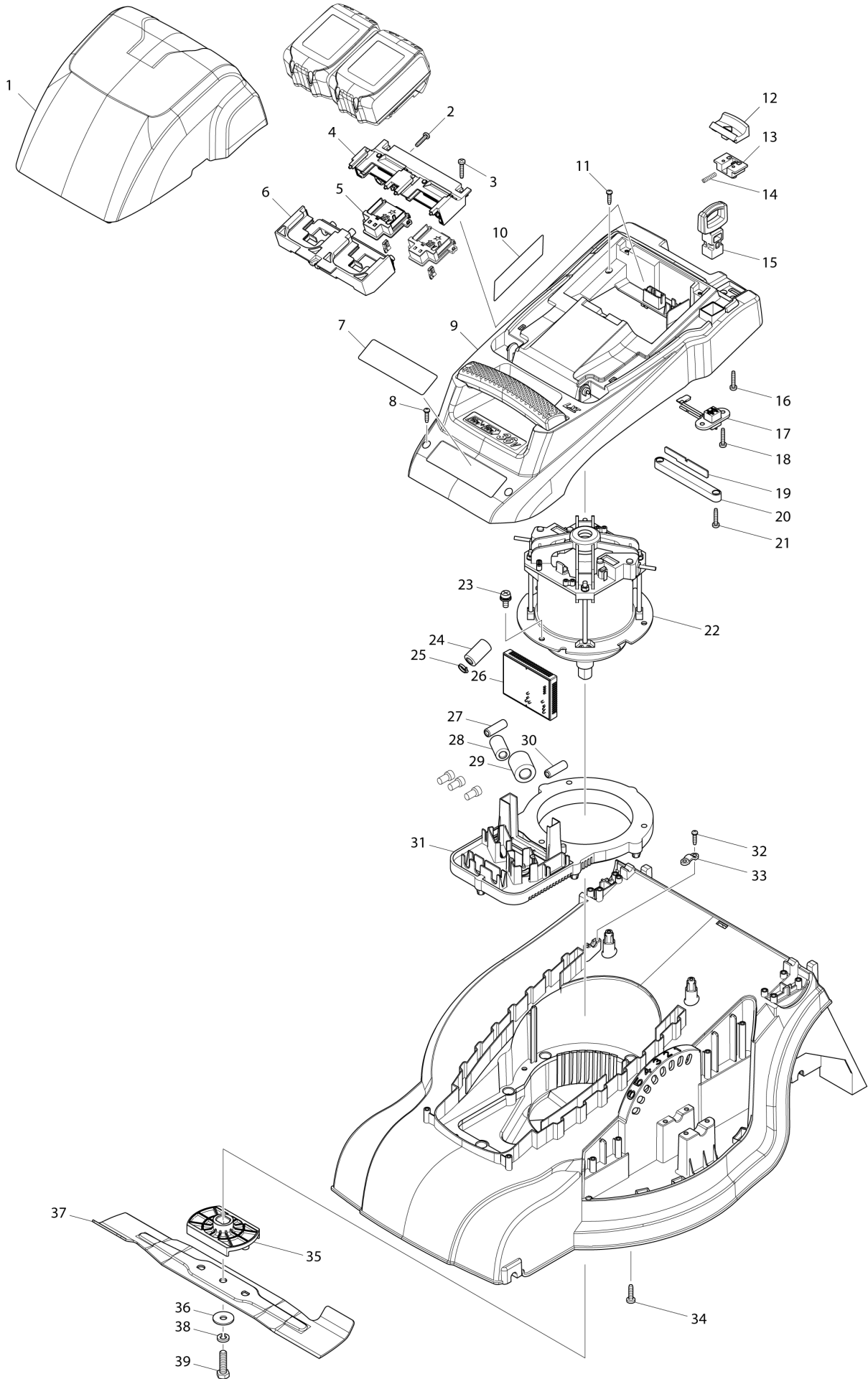
# Diagram / Parts List

**DLM380**

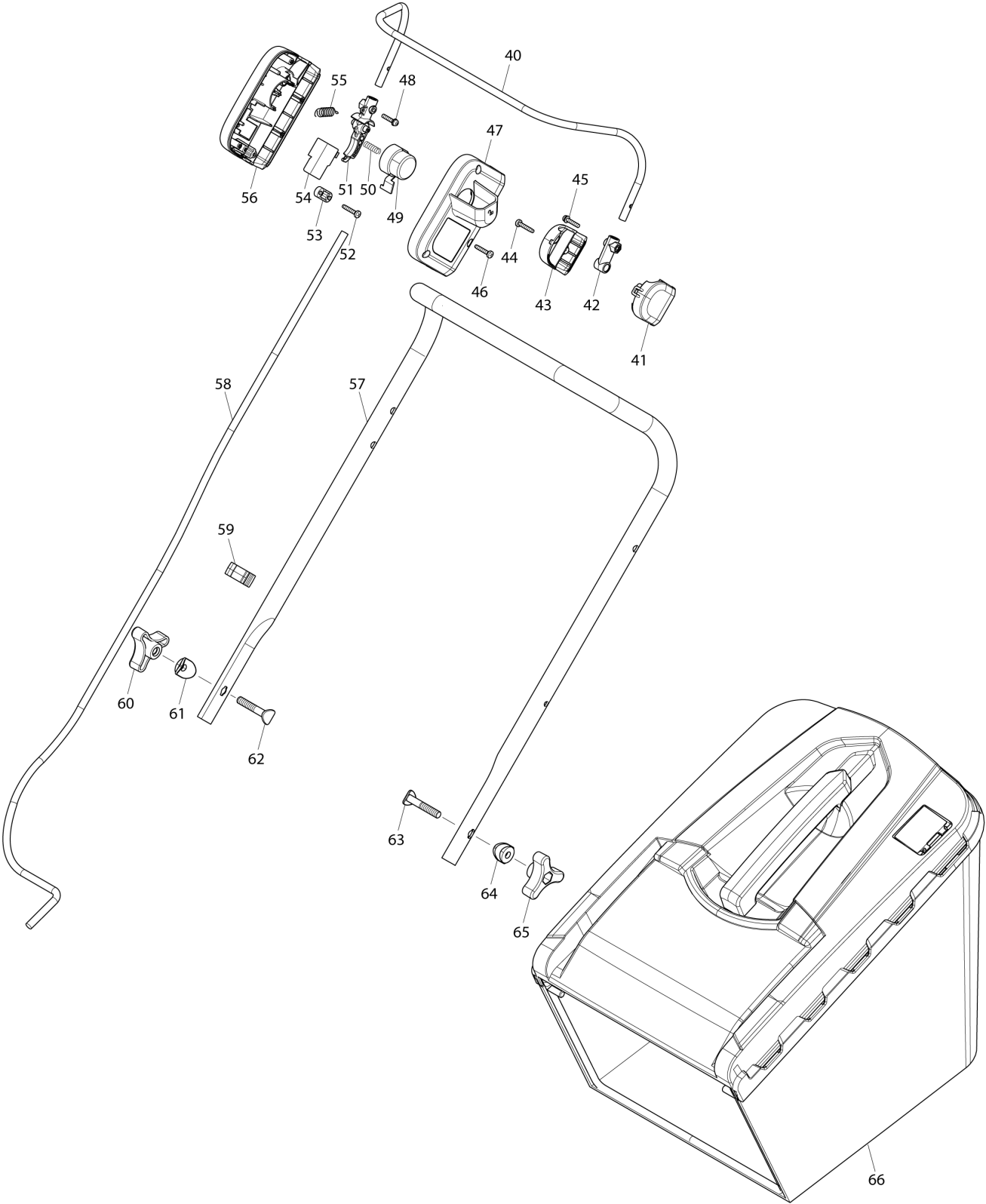
**380MM CORDLESS LAWN MOWER**



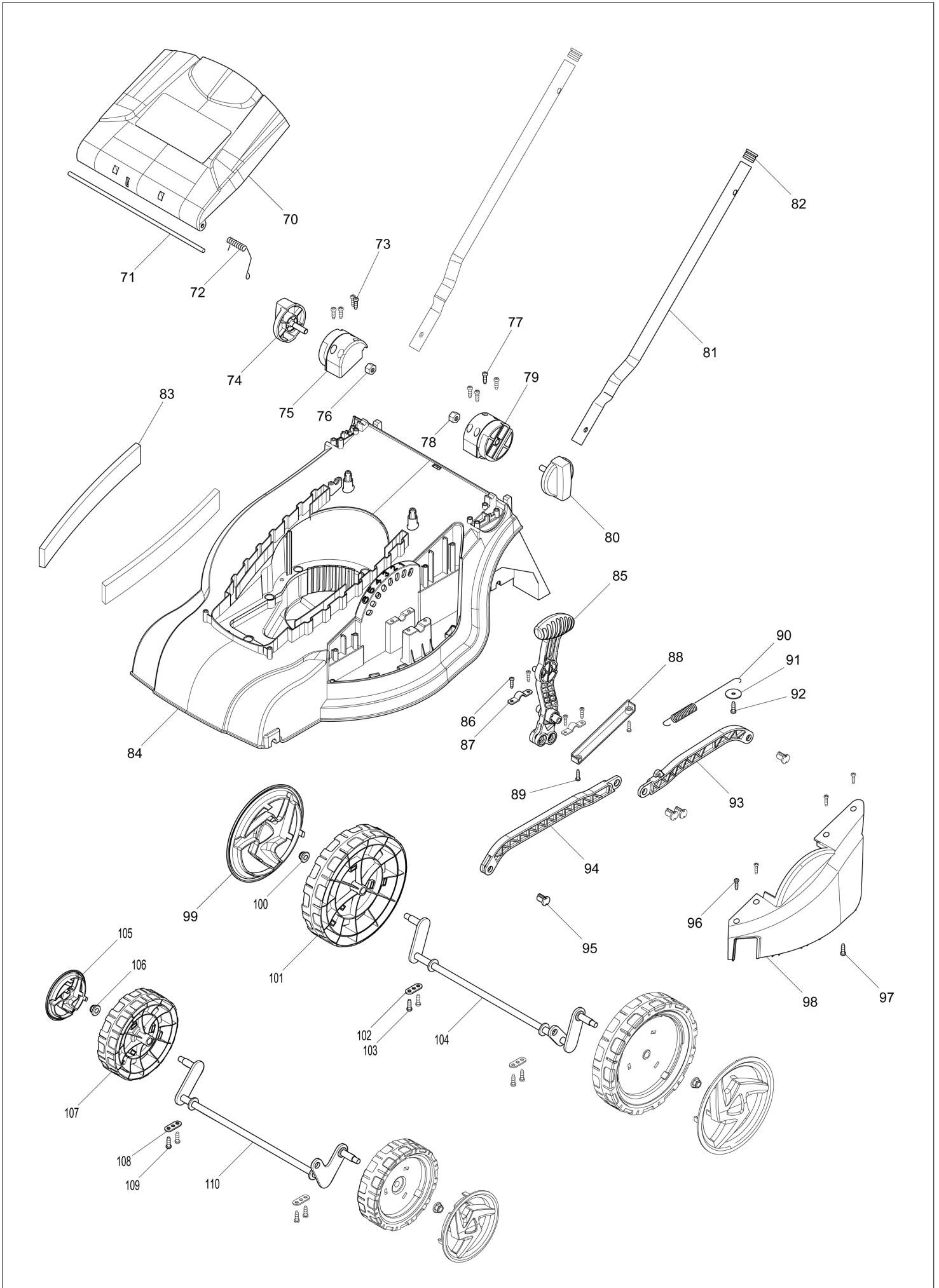
(IN) DLM380 / 380MM CORDLESS LAWN MOWER



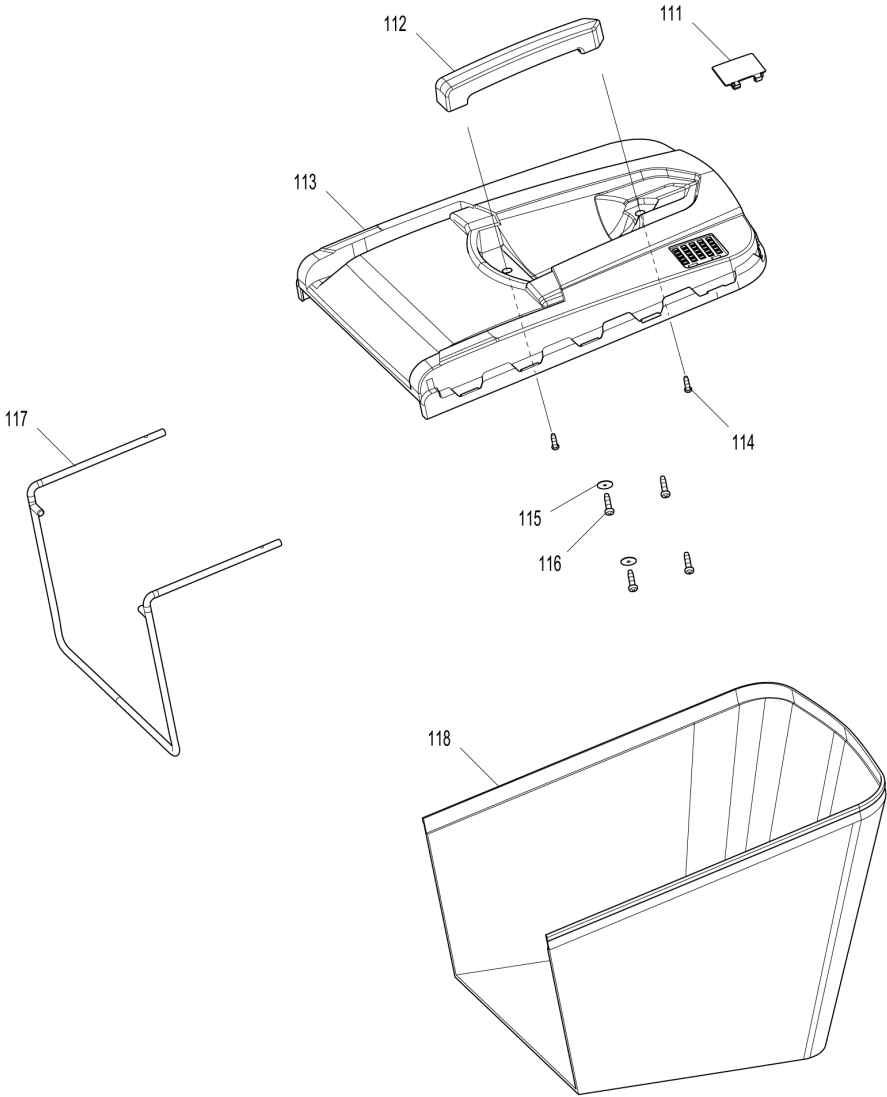
(IN) DLM380 / 380MM CORDLESS LAWN MOWER



(IN) DLM380 / 380MM CORDLESS LAWN MOWER



(IN) DLM380 / 380MM CORDLESS LAWN MOWER



## DLM380 / 380MM CORDLESS LAWN MOWER

| Item  | Sub | Parts No. | Parts Description              | Qty | I/C | E/C No. | Close No. | Remark |
|-------|-----|-----------|--------------------------------|-----|-----|---------|-----------|--------|
| 001   |     | 142585-1  | BATTERY COVER COMPLETE E       | 1   |     |         |           |        |
|       | C10 | 263005-3  | RUBBER PIN 6                   | 1   |     |         |           |        |
|       | C20 | 890380-0  | CAUTION LABEL                  | 1   |     |         |           |        |
| 002   |     | 266424-2  | TAPPING SCREW 4X20             | 3   |     |         |           |        |
| 003   |     | 266424-2  | TAPPING SCREW 4X20             | 3   |     |         |           |        |
| 004   |     | 187926-4  | TERMINAL HOUSING SET           | 1   |     |         |           |        |
|       | C10 | 263005-3  | RUBBER PIN 6                   | 4   |     |         |           |        |
|       | D10 |           | INC. 6                         |     |     |         |           |        |
| 005   |     | 644808-8  | TERMINAL                       | 2   |     |         |           |        |
| 006   |     | 187926-4  | TERMINAL HOUSING SET           | 1   |     |         |           |        |
|       | C10 | 263005-3  | RUBBER PIN 6                   | 4   |     |         |           |        |
|       | D10 |           | INC. 4                         |     |     |         |           |        |
| 007   |     | 803J08-1  | MAKITA LOGO LABEL              | 1   |     |         |           |        |
| 008   |     | 266890-3  | TAPPING SCREW 4X16             | 2   |     |         |           |        |
| 009   |     | 142591-6  | COWLING COMPLETE               | 1   |     |         |           |        |
| 010   |     | 815M03-7  | DLM380 NAME PLATE              | 1   |     |         |           |        |
| 011   |     | 266890-3  | TAPPING SCREW 4X16             | 2   |     |         |           |        |
| 012   |     | 453250-0  | LOCK LEVER                     | 1   |     |         |           |        |
| 013   |     | 453251-8  | LOCK LEVER SUPPORT             | 1   |     |         |           |        |
| 014   |     | 233173-6  | COMPRESSION SPRING 4           | 1   |     |         |           |        |
| 015   |     | 643890-4  | KEY                            | 1   |     |         |           |        |
| 016   |     | 266424-2  | TAPPING SCREW 4X20             | 2   |     |         |           |        |
| 017   |     | 638946-6  | LEAD UNIT                      | 1   |     |         |           |        |
| 018   |     | 266424-2  | TAPPING SCREW 4X20             | 2   |     |         |           |        |
| 019   |     | 620278-5  | LED CIRCUIT                    | 1   |     |         |           |        |
| 020   |     | 455070-8  | LED COVER                      | 1   |     |         |           |        |
| 021   |     | 266424-2  | TAPPING SCREW 4X20             | 2   |     |         |           |        |
| 022   |     | 629118-4  | DC MOTOR                       | 1   |     |         | C7883     |        |
| 022-1 |     | 629433-6  | DC MOTOR                       | 1   | S   | C7883   |           |        |
| 023   |     | 266892-9  | + PAN HEAD SCREW M6X16 WITH WR | 3   |     |         | C7883     |        |
| 023-1 |     | 265A53-4  | + PAN HEAD SCREW M6X22 WITH WR | 3   | S   | C7883   |           |        |
| 026   |     | 620277-7  | CONTROLLER                     | 1   |     |         |           |        |
| 031   |     | 455064-3  | MOTOR BRACKET                  | 1   |     |         |           |        |
| 032-1 |     | 266424-2  | TAPPING SCREW 4X20             | 2   |     |         |           |        |
| 033   |     | 687A88-9  | CORD CLAMP                     | 1   |     |         |           |        |
| 034   |     | 266420-0  | TAPPING SCREW 5X20             | 6   |     |         |           |        |
| 035   |     | 455130-6  | BLADE SUPPORT                  | 1   |     |         |           |        |
| 036   |     | 253852-0  | FLAT WASHER 8                  | 1   |     |         |           |        |
| 037   |     | 196863-1  | BLADE 380 SET                  | 1   |     |         |           |        |
| 038   |     | 942201-3  | SPRING WASHER 8                | 1   |     |         |           |        |
| 039   |     | 266889-8  | HEX BOLT M8X30                 | 1   |     |         |           |        |
| 040   |     | 332106-9  | SWITCH LEVER                   | 1   |     |         |           |        |
| 041   |     | 455076-6  | SWITCH LEVER CASE              | 1   |     |         |           |        |
| 042   |     | 455078-2  | ARM                            | 1   |     |         |           |        |
| 043   |     | 455077-4  | SWITCH LEVER CASE COVER        | 1   |     |         |           |        |
| 044   |     | 266424-2  | TAPPING SCREW 4X20             | 1   |     |         |           |        |
| 045   |     | 911138-5  | PAN HEAD SCREW M4X20           | 1   |     |         |           |        |
| 046   |     | 266424-2  | TAPPING SCREW 4X20             | 4   |     |         |           |        |
| 047   |     | 455073-2  | SWITCH BOX COVER               | 1   |     |         |           |        |
| 048   |     | 911138-5  | PAN HEAD SCREW M4X20           | 1   |     |         |           |        |
| 049   |     | 455074-0  | SWITCH BUTTON                  | 1   |     |         |           |        |
| 050   |     | 233068-3  | COMPRESSION SPRING 6           | 1   |     |         |           |        |
| 051   |     | 455075-8  | LEVER                          | 1   |     |         |           |        |
| 052   |     | 266424-2  | TAPPING SCREW 4X20             | 2   |     |         |           |        |
| 053   |     | 687124-5  | STRAIN RELIEF                  | 1   |     |         |           |        |
| 054   |     | 650730-9  | SWITCH TG72BD-6                | 1   |     |         |           |        |
| 055   |     | 231876-6  | TENSION SPRING 9               | 1   |     |         |           |        |
| 056   |     | 455072-4  | SWITCH BOX                     | 1   |     |         |           |        |
| 057   |     | 332109-3  | UPPER HANDLE                   | 1   |     |         |           |        |
| 058   |     | 660480-8  | POWER SUPPLY CORD #16-3-0.95   | 1   |     |         |           |        |
| 059   |     | 455071-6  | CORD HOLDER                    | 1   |     |         |           |        |
| 060   |     | 252657-5  | THUMB NUT M8                   | 1   |     |         |           |        |
| 061   |     | 455131-4  | CURL WASHER 8                  | 1   |     |         |           |        |
| 062   |     | 266893-7  | FLAT HEAD BOLT M8X45           | 1   |     |         |           |        |
| 063   |     | 266893-7  | FLAT HEAD BOLT M8X45           | 1   |     |         |           |        |

Interchange  
O : Yes  
X : No  
< : the new part can be substituted for the current.  
> : the current part can be substituted for the new.  
S : Interchangeable as a set.

