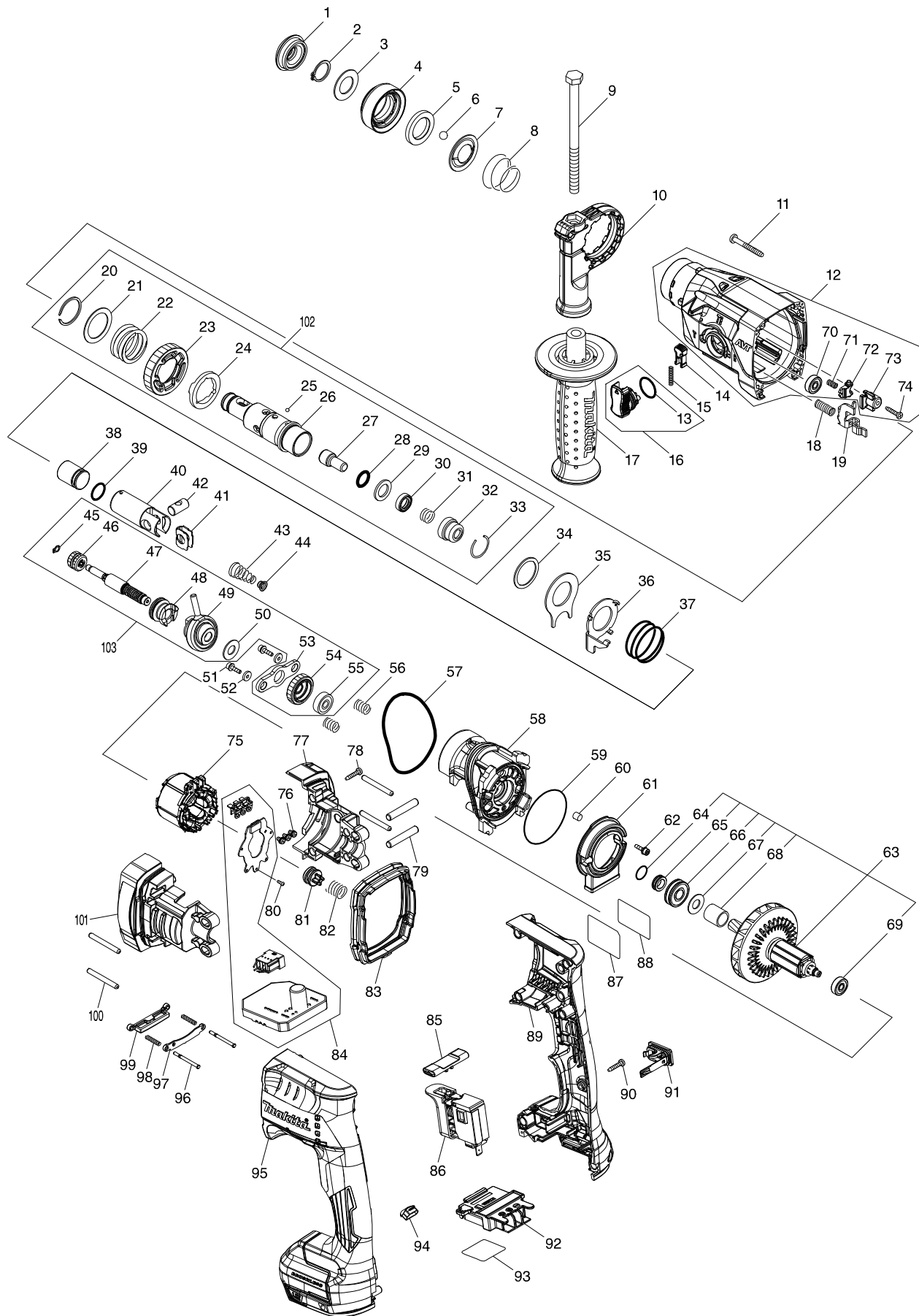


Model No. DHR182 18MM CRDLS COMBINATION HAMMER



Model No. DHR182 18MM CRDLS COMBINATION HAMMER

Item	Parts No.	Description	I/C	QTY	N/O	Opt. 1	Opt. 2	NOTE
001	286037-3	CAP 34		1		40169390		
002	961057-5	RETAINING RING S-17		1		73182990		
003	253377-4	FLAT WASHER 17		1		84679900		
004	458845-4	CHUCK COVER		1		84679900		
005	257416-2	RING 21		1		73182990		
006	216022-2	STEEL BALL 7.0		2		73182990		
007	346177-0	GUIDE WASHER		1		73182200		
008	232347-6	CONICAL COMP. SPRING 21-29		1		73209090		
009	921923-8	HEX. BOLT M8X120		1		73181500		
010	417911-6	GRIP BASE		1		84679900		
011	266053-1	TAPPING SCREW 4X35		4		73181500		
012	136043-7	GEAR HOUSING ASSY		1		84679900		
C10	211375-4	BALL BEARING 6805LLB		1		84821090		
C20	213874-2	OIL SEAL 25		1				
D10		INC. 70-74						
013	213278-8	O RING 17		1		40169320		
014	458851-9	LOCK BUTTON		1		84679900		
015	234264-6	COMPRESSION SPRING 3		1				
016	136040-3	CHANGE LEVER ASSY		1		84679900		
D10		INC. 13						
017	158057-6	GRIP 36 COMPLETE		1		84679900		
C10	931402-8	HEX. NUT M8		1		73181500		
018	232473-1	COMPRESSION SPRING 8		1		84679900		
019	347463-2	CHANGE PLATE B		1		84679900		
020	961135-1	RETAINING(EXT) WR-25		1		73182990		
021	267304-5	FLAT WASHER 25		1		73182200		
022	232360-4	COMPRESSION SPRING 25		1		73209090		
023	226854-9	SPUR GEAR 44		1		84834000		
024	327039-1	DRIVING FLANGE		1		73182990		
025	216019-1	STEEL BALL 3		3		73182990		
026	326886-7	TOOL HOLDER		1		84679900		
027	326887-5	IMPACT BOLT		1		73181500		
028	213117-2	O RING 11		1				
029	253380-5	FLAT WASHER 13		1		73182200		
030	326888-3	RING 10		1		73182990		
031	232357-3	COMPRESSION SPRING 10A		1		73209090		
032	327038-3	CUP SLEEVE		1		73182990		
033	233942-5	RING SPRING 22		1		73209090		
034	267175-0	FLAT WASHER 24		1		73182200		
035	345681-6	JOINT PLATE		1		84679900		
036	347462-4	CHANGE PLATE A		1		84679900		
037	233458-0	COMPRESSION SPRING 32		1		73209090		
038	327215-7	STRIKER		1		84679900		
039	213832-8	O-RING 13		1		40169320		
040	326890-6	PISTON CYLINDER		1		84679900		
041	347127-8	GUIDE PLATE		1		73182990		
042	324612-8	PISTON JOINT		1		73182990		
043	232361-2	CONICAL COMP. SPRING 6-13		1		73209090		

Model No. DHR182 18MM CRDLS COMBINATION HAMMER

Item	Parts No.	Description	I/C	QTY	N/O	Opt. 1	Opt. 2	NOTE
044	347130-9	SPRING GUIDE		1		73182990		
045	961008-8	RETAINING RING S-5		1		73182990		
046	226853-1	SPUR GEAR 12		1		84834000		
047	327216-5	CAM SHAFT		1		84679900		
048	327217-3	CLUTCH CAM		1		84679900		
049	219029-7	SWASH BEARING 9		1		84821090		
050	253733-8	FLAT WASHER 9		1				
051	251510-2	H. S. HEAD BOLT M3X12 WITH WRM		2		73181500		
052	253381-3	FLAT WASHER 3		2				
053	347129-4	SPRING PLATE		1				
054	221496-4	HELICAL GEAR 23		1		84834000		
055	211016-2	BALL BEARING 626LLB		1		84821090		
056	232359-9	COMPRESSION SPRING 7		2				
057	213833-6	O-RING 60		1		40169320		
058	140F85-1	INNER HOUSING COMPLETE		1		84679900		
059	213641-5	O RING 51		1		40169320		
060	443138-2	FILTER		1		84219900		
061	458848-8	AIR DUCT		1		84679900		
062	251510-2	H. S. HEAD BOLT M3X12 WITH WRM		2		73181500		
063	519549-4	ROTOR ASSY		1		84679900		
D10		INC. 64-69						
064	213118-0	O RING 12		1				
065	327227-0	RING 9		1				
066	210162-8	BALL BEARING 609LLU		1		84821020		
067	267231-6	FLAT WASHER 9		1		73182200		
068	458841-2	SLEEVE 12		1				
069	210035-5	BALL BEARING 625DDW		1				
070	210035-5	BALL BEARING 625DDW		1				
071	232474-9	COMPRESSION SPRING 4		1				
072	310913-0	LOCK PLATE		1				
073	458846-2	STOPPER PLATE		1				
074	266130-9	TAPPING SCREW BIND PT 3X16		1		73181500		
075	629393-2	STATOR		1		84679900		
076	652069-6	FLAT HEAD SCREW M3X6		3		73181500		
077	183L14-7	MOTOR HOUSING SET		1		84679900		
D10		INC. 101						
078	266130-9	TAPPING SCREW BIND PT 3X16		4		73181500		
079	268076-5	PIN 6		2				
080	266490-9	TAPPING SCREW PT 2X6		3		73181500		
081	458847-0	SPRING SUPPORT		1		84679900		
082	232358-1	COMPRESSION SPRING 10B		1				
083	422354-9	BELLOWS		1		84679900		
084	620995-7	CONTROLLER		1		84679900		
085	458844-6	F/R CHANGE LEVER		1		84679900		
086	651380-3	SWITCH C3JW-6B-25		1		84679900		
087	855F52-0	DHR182 NAME PLATE		1				
088	818N47-2	CLEAR LABEL		1				
089	183L12-1	HANDLE SET		1		84679900		

Model No. DHR182 18MM CRDLS COMBINATION HAMMER

Item	Parts No.	Description	I/C	QTY	N/O	Opt. 1	Opt. 2	NOTE
C10	263005-3	RUBBER PIN 6		2	40169390			
C20	252126-6	HEX. LOCKING NUT M4-7		2	73181500			
D10		INC. 95						
090	266130-9	TAPPING SCREW BIND PT 3X16		7	73181500			
091	140F99-0	CAP COMPLETE		1	84679900			
C10	213218-6	O RING 16		1	40169320			
C20	818H07-8	CAP LABEL		1				
092	643874-2	TERMINAL		1	73182990			
093	855F59-6	DHR182 SERIAL NO. LABEL		1				
094	620549-0	LED CIRCUIT		1	84679900			
095	183L12-1	HANDLE SET		1	84679900			
C10	263005-3	RUBBER PIN 6		2	40169390			
C20	252126-6	HEX. LOCKING NUT M4-7		2	73181500			
D10		INC. 89						
096	256586-4	FLAT FILLISTER HEAD PIN 2.5		2	84679900			
097	458850-1	GUIDE PLATE		1	84679900			
098	232475-7	COMPRESSION SPRING 3		2	84679900			
099	458849-6	SHATTER		1	84679900			
100	256585-6	ROD 4		4	84679900			
101	183L14-7	MOTOR HOUSING SET		1	84679900			
D10		INC. 77						
102	136041-1	TOOL HOLDER ASSY		1				
D10		INC. 20-33						
103	136042-9	CAM SHAFT ASSY		1				
D10		INC. 45-50,53-55						
A01	415486-9	DEPTH GAUGE		1	84679900			
A02C	821552-6	CONNECTOR PLASTIC CASE (TYPE4)		1	85369090			
C10	453974-8	LATCH		4				
A02D	821552-6	CONNECTOR PLASTIC CASE (TYPE4)		1	85369090			
C10	453974-8	LATCH		4				
A03C	818S67-6	DHR182RTJ PLASTIC CASE LABEL		2				
A03D	818S75-7	DHR182RTJU PLASTIC CASE LABEL		2				
A04C	450128-8	BATTERY COVER		1	39269099			
A04D	450128-8	BATTERY COVER		1	39269099			
A05C	***DC18RC	DC18RC FAST CHARGER		1				
D10		COMPO-PARTS						
A05D	***DC18RC	DC18RC FAST CHARGER		1				
D10		COMPO-PARTS						
A06C	198013-4	BATTERY BL1850B SET		2				
A06D	198013-4	BATTERY BL1850B SET		2				
A08C	839891-0	INNER TRAY		1				
A08D	839891-0	INNER TRAY		1				
A09B	199393-1	WIRELESS UNIT SET		1				
A09D	199393-1	WIRELESS UNIT SET		1				
A10C	818S66-8	DHR182RTJ INDICATION LABEL		1				
A10D	818S74-9	DHR182RTJU INDICATION LABEL		1				