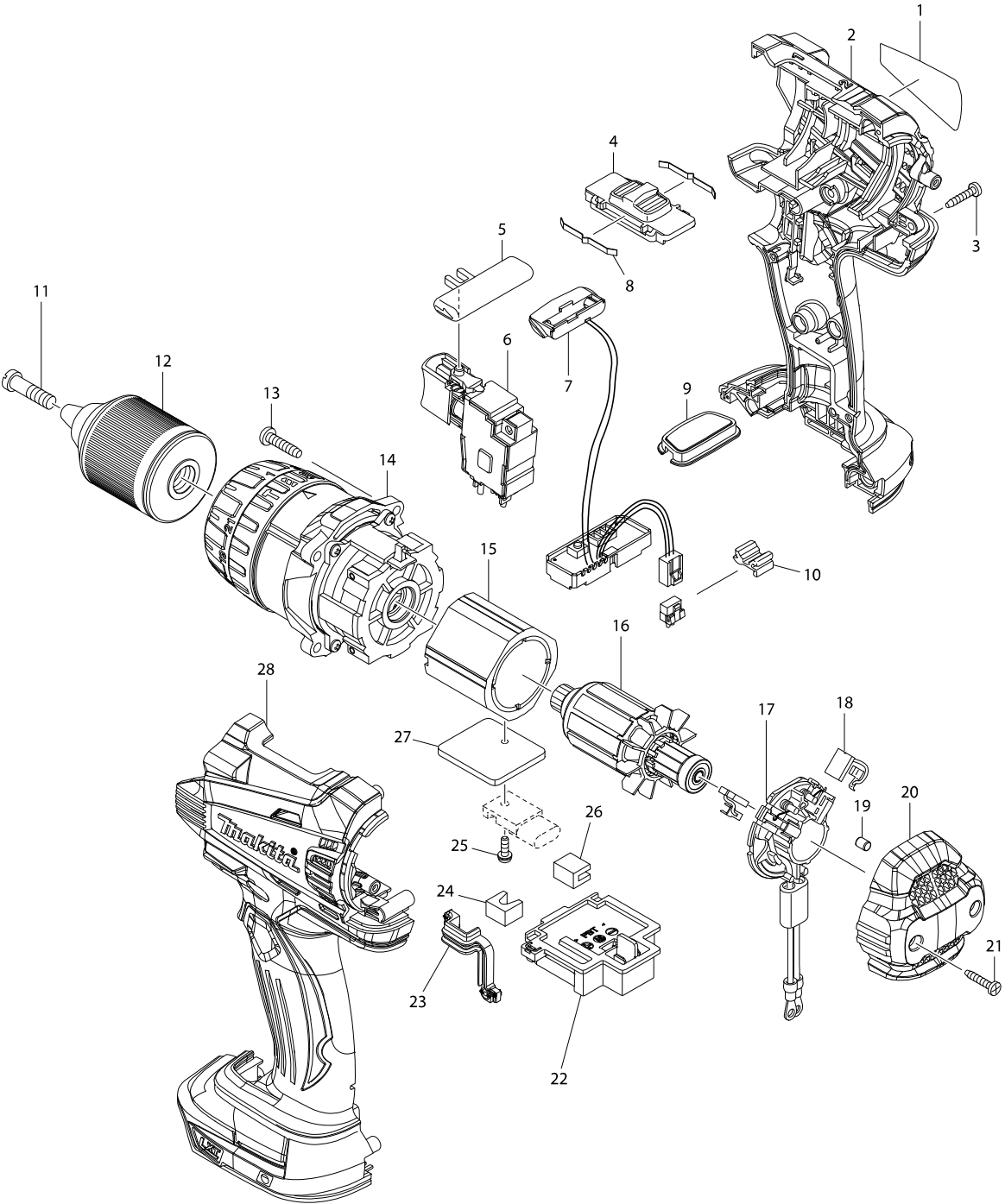


**Model No. DHP458 CORDLESS HAMMER DRIVER DRILL**



# Model No. DHP458 CORDLESS HAMMER DRIVER DRILL

Item	Parts No.	Description	I/C	QTY	N/O	Opt. 1	Opt. 2	NOTE
001	814Y76-9	DHP458 NAME PLATE		1		83100090		
002	187430-3	HOUSING SET		1		84679900		
C10	263005-3	RUBBER PIN 6		2		40169390		
C20	252126-6	HEX. LOCKING NUT M4-7		2		73181500		
D10		INC. 28						
003	266130-9	TAPPING SCREW BIND PT 3X16		7		73181500		
004	126100-9	SPEED CHANGE LEVER ASSEMBLY		1		84679900		
C10	233438-6	COMPRESSION SPRING 4		2		73209090		
005	419250-0	F/R CHANGE LEVER		1		84679900		
006	650724-4	SWITCH TG573FSB-3		1		85366990		
007	620138-1	LIGHT CIRCUIT		1		84679900		
008	232220-0	LEAF SPRING		2		73209090		
009	140963-9	SWITCH PLATE COMPLETE		1		39269099		
010	424476-1	CUSHION		1		40169390		
011	251468-5	- FLAT HEAD SCREW M6X22		1		73181500		
012	766015-4	KEYLESS DRILL CHUCK 13		1	*	82075000		
012-1	763248-2	KEYLESS DRILL CHUCK 13	<	1		84663010		
013	265995-6	TAPPING SCREW 4X18		4		73181500		
014C	126099-8	GEAR ASSEMBLY		1	*			
014D	126099-8	GEAR ASSEMBLY		1	*			
014-1C	126448-9	GEAR ASSEMBLY	<	1		84679900		
014-1D	126448-9	GEAR ASSEMBLY	<	1		84679900		
014-1E	126448-9	GEAR ASSEMBLY		1		84679900		
015	638989-8	YOKE UNIT		1		84679900		
016	619301-1	ARMATURE		1	*	85030090		
016-1	619496-0	ARMATURE	<	1		85030090		
017	638614-1	BRUSH HOLDER COMPLETE		1	*	82078000		
017-1	632K62-2	BRUSH HOLDER COMPLETE	<	1		84679900		
018	194427-5	CARBON BRUSH CB-440		1		85452000		
019	263032-0	RUBBER PIN 4		2		40169390		
020	453394-6	REAR COVER		1		84679900		
021	266130-9	TAPPING SCREW BIND PT 3X16		2		73181500		
022	644808-8	TERMINAL		1		73182990		
023	424430-5	SEAL		1		40169390		
024	423422-1	SPONGE A		1		40169390		
025	911013-5	PAN HEAD SCREW M3X10		1		73181500		
026	423423-9	SPONGE B		1		40169390		
027	689176-2	HEAT SINK		1		76169990		
028	187430-3	HOUSING SET		1		84679900		
C10	263005-3	RUBBER PIN 6		2		40169390		
C20	252126-6	HEX. LOCKING NUT M4-7		2		73181500		
D10		INC. 2						
A01C	126131-8	GRIP ASSEMBLY		1	*			
C10	154935-8	GRIP 36 COMPLETE		1	*	84679900		
C20	266750-9	SQUARE BOLT M8X100		1	*			
C30	346566-9	GRIP SPRING 60		1	*	73209090		
C40	453584-1	GRIP BASE 60		1	*			
C50	265785-7	THUMB SCREW M5X10		1	*	73181500		

# Model No. DHP458 CORDLESS HAMMER DRIVER DRILL

Item	Parts No.	Description	I/C	QTY	N/O	Opt. 1	Opt. 2	NOTE
C60	931202-6	HEX. NUT M5		1	*	73181500		
A01D	126131-8	GRIP ASSEMBLY		1	*			
C10	154935-8	GRIP 36 COMPLETE		1	*	84679900		
C20	266750-9	SQUARE BOLT M8X100		1	*			
C30	346566-9	GRIP SPRING 60		1	*	73209090		
C40	453584-1	GRIP BASE 60		1	*			
C50	265785-7	THUMB SCREW M5X10		1	*	73181500		
C60	931202-6	HEX. NUT M5		1	*	73181500		
A01-1C	123257-7	GRIP ASSEMBLY	<	1		84679900		
C10	154935-8	GRIP 36 COMPLETE		1		84679900		
C20	266899-5	SQUARE BOLT M8X140		1		73181500		
C30	346566-9	GRIP SPRING 60		1		73209090		
C40	455189-3	GRIP BASE 60		1		84679900		
C50	265785-7	THUMB SCREW M5X10		1		73181500		
C60	931202-6	HEX. NUT M5		1		73181500		
A01-1D	123257-7	GRIP ASSEMBLY	<	1		84679900		
C10	154935-8	GRIP 36 COMPLETE		1		84679900		
C20	266899-5	SQUARE BOLT M8X140		1		73181500		
C30	346566-9	GRIP SPRING 60		1		73209090		
C40	455189-3	GRIP BASE 60		1		84679900		
C50	265785-7	THUMB SCREW M5X10		1		73181500		
C60	931202-6	HEX. NUT M5		1		73181500		
A01-1E	123257-7	GRIP ASSEMBLY		1		84679900		
C10	154935-8	GRIP 36 COMPLETE		1		84679900		
C20	266899-5	SQUARE BOLT M8X140		1		73181500		
C30	346566-9	GRIP SPRING 60		1		73209090		
C40	455189-3	GRIP BASE 60		1		84679900		
C50	265785-7	THUMB SCREW M5X10		1		73181500		
C60	931202-6	HEX. NUT M5		1		73181500		
A02	251314-2	+ SCREW M4X12		2		73181500		
A03	346317-0	HOOK		1		73182990		
A04	452947-8	BIT HOLDER		1		82078000		
A05	784637-8	+/- BIT 2-45		2		82075000		
A06	122576-8	STOPPER POLE ASS'Y		1		84679900		
A07C	***DC18RC	DC18RC FAST CHARGER		1				
A07E	***DC18RC	DC18RC FAST CHARGER		1				
A08C	194204-5	BATTERY BL1830 SET		2	*	85076000		
A08E	196399-0	BATTERY BL1840 SET		2	*			
A08-1C	194204-5	BATTERY BL1830 SET	O	2	*	85076000		
A08-1E	196399-0	BATTERY BL1840 SET	O	2	*			
A08-2C	197605-6	BATTERY BL1830B SET	<	2		85076000		
A08-2E	197265-4	BATTERY BL1840B SET	<	2	*	85068090		
A08-3E	198012-6	BATTERY BL1840B SET	<	2				
A09C	450128-8	BATTERY COVER		1		39269099		
A09E	450128-8	BATTERY COVER		1		39269099		
A10C	821524-1	PLASTIC CARRYING CASE		1				
C10	162302-3	LATCH		2		73182990		
C20	325809-2	SHAFT		1				

