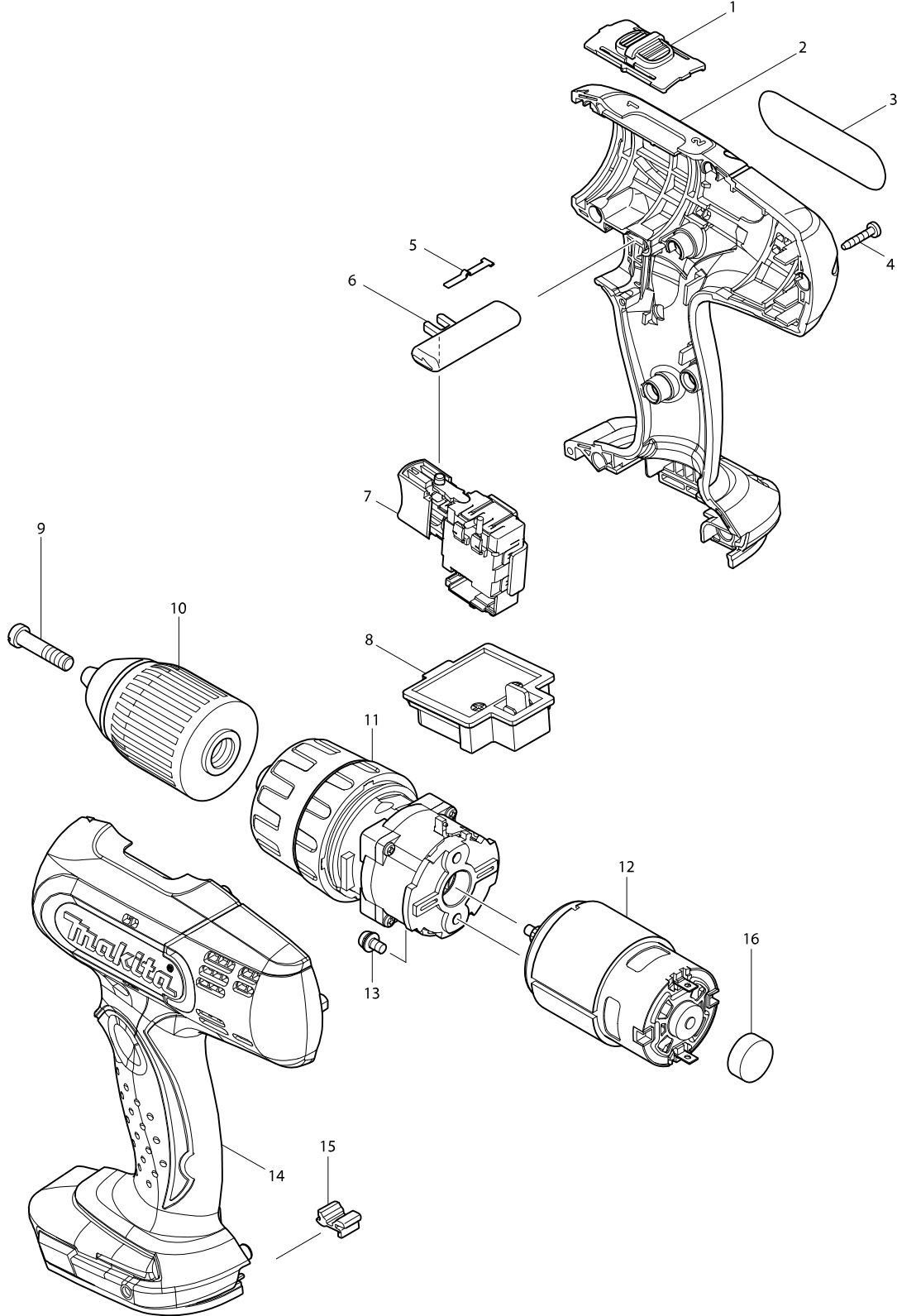


Model No. DHP453 CORDLESS PERCUSSION-DRIVER DRILL



Model No. DHP453 CORDLESS PERCUSSN-DRIVER DRILL

Item	Parts No.	Description	I/C	QTY	N/O	Opt. 1	Opt. 2	NOTE
001	125310-5	SPEED CHANGE LEVER ASSY		1		84679900		
C10	231433-0	COMPRESSION SPRING 4		2		73209090		
002	187363-2	HOUSING SET		1		84679900		
C10	263005-3	RUBBER PIN 6		2		40169390		
D10		INC. 14						
003	815J03-9	DHP453 NAME PLATE		1				
004	266130-9	TAPPING SCREW BIND PT 3X16		9		73181500		
005	232182-2	LEAF SPRING		1		73209090		
006	419250-0	F/R CHANGE LEVER		1		84679900		
007	632A24-0	SWITCH UNIT		1		85365090		
008	643852-2	TERMINAL		1		73182990		
009	251468-5	- FLAT HEAD SCREW M6X22		1		73181500		
010	766004-9	KEYLESS DRILL CHUCK 13		1		82075000		
011A	125485-0	GEAR ASSY		1	*	84834000		
011-1A	125485-0	GEAR ASSY	O	1		84834000		
011-1B	125485-0	GEAR ASSY		1		84834000		
011-1C	125485-0	GEAR ASSY		1		84834000		
012	629834-8	DC MOTOR		1		85011019		
013	911108-4	PAN HEAD SCREW M4X8		2		73181500		
014	187363-2	HOUSING SET		1		84679900		
C10	263005-3	RUBBER PIN 6		2		40169390		
D10		INC. 2						
015	424476-1	CUSHION		1		40169390		
016	421940-3	CAP		1		40169390		
A01	784636-0	+/- BIT 2-65		1		82075000		
A02A	***DC18SD	DC18SD BATTERY CHARGER		1				
A02B	***DC18SD	DC18SD BATTERY CHARGER		1				
A02C	***DC18RC	DC18RC FAST CHARGER		1				
A03-1A	196235-0	BATTERY BL1815N SET		2	*	85076000		
A03-1B	194204-5	BATTERY BL1830 SET		2	*	85076000		
A03-1C	194204-5	BATTERY BL1830 SET		2	*	85076000		
A03-2A	198011-8	BATTERY BL1815N SET	X	2				
A03-2B	197605-6	BATTERY BL1830B SET	<	2		85076000		
A03-2C	197605-6	BATTERY BL1830B SET	<	2		85076000		
A04	450128-8	BATTERY COVER		1		39269099		
A05A	158777-2	PLASTIC CARRYING CASE		1		39269099		
C10	163455-1	LATCH		2		73182990		
C20	419360-3	HANDLE		1		84679900		
A05B	158777-2	PLASTIC CARRYING CASE		1		39269099		
C10	163455-1	LATCH		2		73182990		
C20	419360-3	HANDLE		1		84679900		
A05C	821695-4	PLASTIC CASE		1				
C10	452143-8	SHAFT		2				
C20	455522-9	SLIDE LATCH		2				
A06C	D-52299	74PCS. BIT SET, MM, TYPE MZ		1				