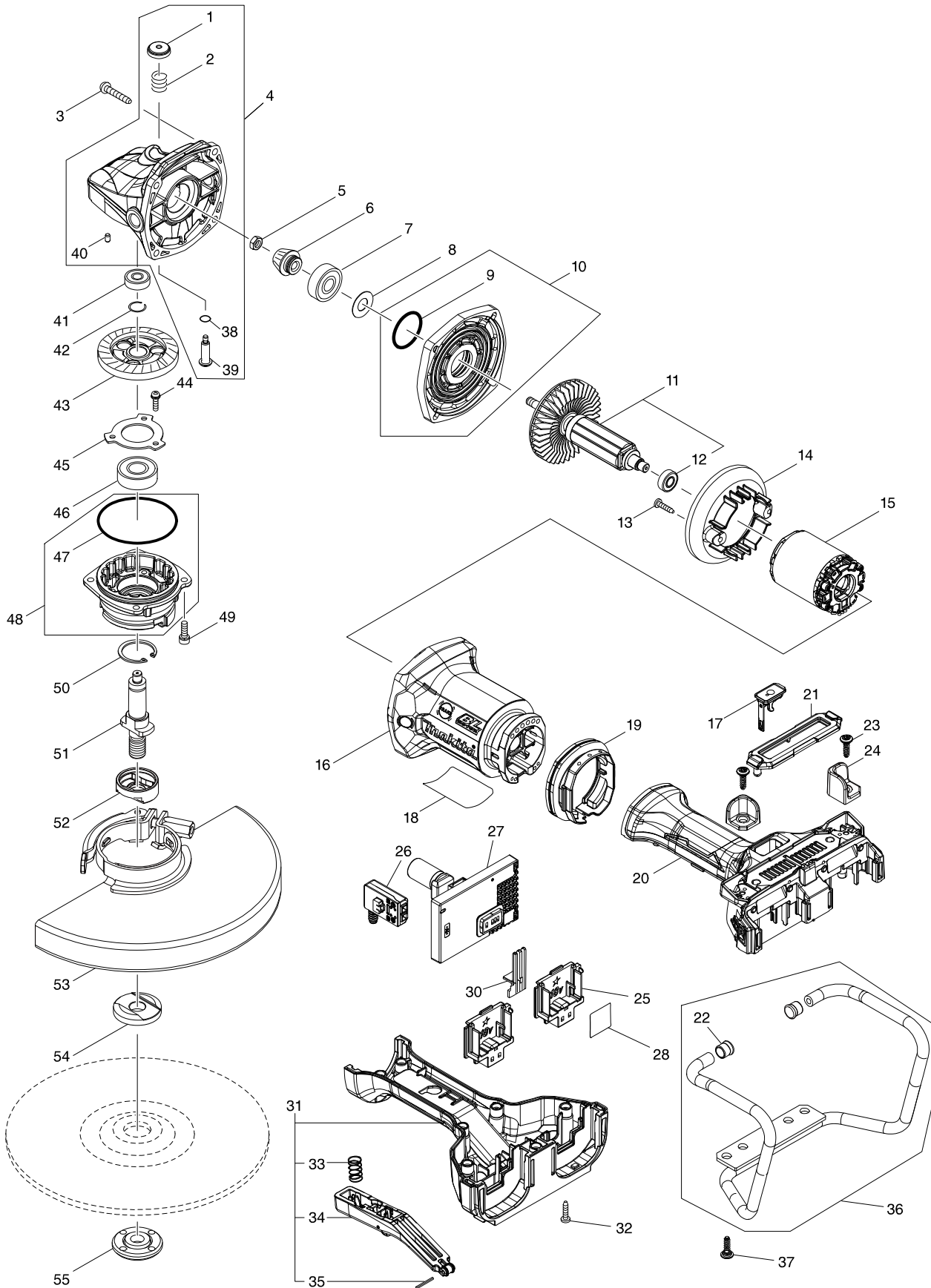


Model No. DGA901 230MM CORDLESS ANGLE GRINDER



Model No. DGA901 230MM CORDLESS ANGLE GRINDER

Item	Parts No.	Description	I/C	QTY	N/O	Opt. 1	Opt. 2	NOTE
001	451485-7	PIN CAP		1		73182990		
002	233089-5	COMPRESSION SPRING 12		1		73209090		
003	266173-1	TAPPING SCREW 5X30		4		73181500		
004	135918-7	GEAR HOUSING ASS'Y		1		84679900		
D10		INC. 1,2,38-40						
005	264010-3	HEX.NUT M7		1		73181600		
006	227563-3	SPIRAL BEVEL GEAR 10B		1		84679900		
007	211137-0	BALL BEARING 6201LLU		1		84821090		
008	253759-0	FLAT WASHER 12		1		84679900		
009	213459-4	O RING 32		1		40169320		
010	135916-1	GEAR HOUSING COVER ASS'Y		1		84679900		
D10		INC. 9						
011	519436-7	ROTOR ASS'Y		1	*	85030090		
D10		INC. 12			*			
011-1	519436-7	ROTOR ASS'Y	O	1		85030090		
D10		INC. 12						
012	211166-3	BALL BEARING 698DDW		1		84821090		
013	266326-2	TAPPING SCREW 4X18		2		73181500		
014	457618-2	BAFFLE PLATE		1		84679900		
015	629376-2	STATOR		1		84679900		
016	457615-8	MOTOR HOUSING		1		84679900		
017	140F99-0	CAP COMPLETE		1		84679900		
C10	213218-6	O RING 16		1		40169320		
C20	818H07-8	CAP LABEL		1				
018	854U99-1	DGA901 NAME PLATE		1				
019	457619-0	VIBRATION PROOF RUBBER		1		40169910		
020	136022-5	HANDLE SWITCH LEVER ASS'Y		1	*	84679900		
C10	263005-3	RUBBER PIN 6		4	*	40169390		
D10		INC. 31,33-35			*			
020-1	136110-8	HANDLE SWITCH LEVER ASS'Y	<	1				
C10	263005-3	RUBBER PIN 6		4		40169390		
D10		INC. 31,33-35						
021	457620-5	DUST COVER		1		84679900		
022	422230-7	CAP		2				
023	251587-7	H.L.TAPPING SCREW 5X18		2		73181400		
024	327048-0	PROTECTION BLOCK		2	*	84679900		
024-1	347482-8	PROTECTION BLOCK	O	2				
025	644809-6	TERMINAL		2				
026	651083-9	SWITCH C3XA-1PSPM		1		85365000		
027	620987-6	CONTROLLER COMPLETE		1		84679900		
C10	801H41-5	INDICATION LABEL		1				
028	854V05-2	DGA901 SERIAL NO. LABEL		1				
030	457621-3	LENS		1		39269010		
031	136022-5	HANDLE SWITCH LEVER ASS'Y		1	*	84679900		
C10	263005-3	RUBBER PIN 6		4	*	40169390		
D10		INC. 20,33-35			*			
031-1	136110-8	HANDLE SWITCH LEVER ASS'Y	<	1				
C10	263005-3	RUBBER PIN 6		4		40169390		

