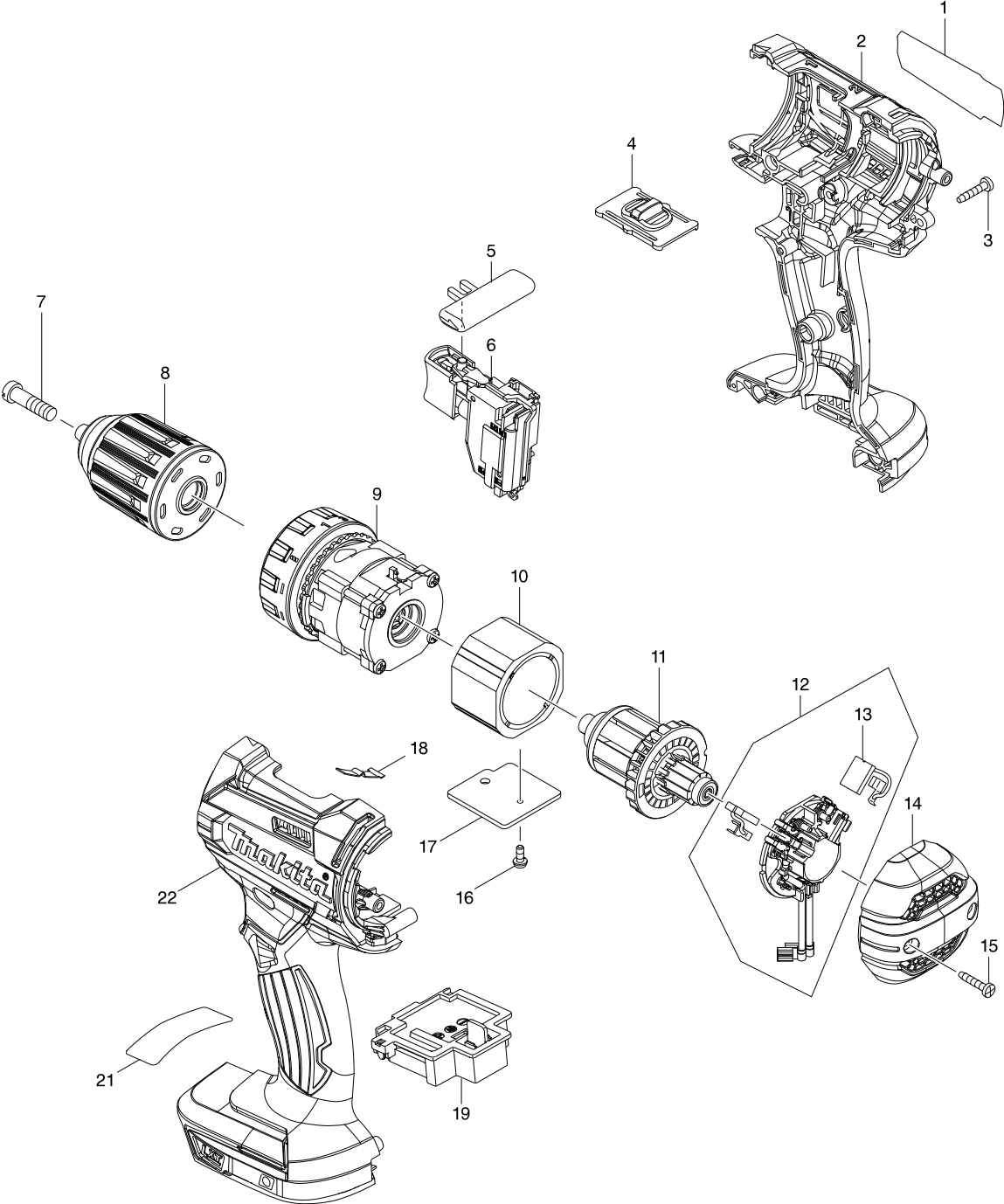


Model No. DDF482 CORDLESS DRIVER DRILL



Model No. DDF482 CORDLESS DRIVER DRILL

Item	Parts No.	Description	I/C	QTY	N/O	Opt. 1	Opt. 2	NOTE
001	851E35-2	DDF482 NAME PLATE		1				
002	183B65-0	HOUSING SET		1		84679900		
C10	263005-3	RUBBER PIN 6		2		40169390		
D10		INC. 22						
003	266429-2	TAPPING SCREW 3X16		9		73181500		
004	123442-2	SPEED CHANGE LEVER ASSEMBLY		1		84679900		
C10	233438-6	COMPRESSION SPRING 4		2		73209090		
005	419041-9	F/R CHANGE LEVER		1		73182990		
006	650753-7	SWITCH C3HA-Z1A-TLF1MS		1		85366990		
C10	620444-4	LED CIRCUIT		1				
007	251468-5	- FLAT HEAD SCREW M6X22		1		73181500		
008	766027-7	KEYLESS DRILL CHUCK 13		1				
009	123444-8	GEAR ASSEMBLY		1		84679900		
010	632F32-1	YOKE UNIT		1	*	82078000		
010-1	632J70-7	YOKE UNIT	<	1		85030090		
011	619380-9	ARMATURE		1		85030090		
012	632F22-4	BRUSH HOLDER COMPLETE		1		84679900		
D10		INC. 13						
013	194427-5	CARBON BRUSH CB-440		1		85452000		
014	456099-7	REAR COVER		1		84679900		
015	266429-2	TAPPING SCREW 3X16		2		73181500		
016A	911006-2	PAN HEAD SCREW M3X8		1	*	73181500		
016B	911006-2	PAN HEAD SCREW M3X8		1	*	73181500		
016C	911006-2	PAN HEAD SCREW M3X8		1	*	73181500		
016-1A	652066-2	+PAN HEAD SCREW M3X9 WITH W	<	1				
016-1B	652066-2	+PAN HEAD SCREW M3X9 WITH W	<	1				
016-1C	652066-2	+PAN HEAD SCREW M3X9 WITH W	<	1				
016-1D	652066-2	+PAN HEAD SCREW M3X9 WITH W		1				
017	689070-8	HEAT SINK		1		76169990		
018	232182-2	LEAF SPRING		1		73209090		
019	644808-8	TERMINAL		1		73182990		
022	183B65-0	HOUSING SET		1		84679900		
C10	263005-3	RUBBER PIN 6		2		40169390		
D10		INC. 2						
A01	251314-2	+ SCREW M4X12		1		73181500		
A02	346317-0	HOOK		1		73182990		
A03	784637-8	+/- BIT 2-45		1		82075000		
A04A	141856-3	PLASTIC CARRYING CASE COMPLETE		1				
C10	162302-3	LATCH		2		73182990		
C20	324207-7	SHAFT		1		84679900		
C30	451749-9	HANDLE		1		84679900		
A04C	141856-3	PLASTIC CARRYING CASE COMPLETE		1				
C10	162302-3	LATCH		2		73182990		
C20	324207-7	SHAFT		1		84679900		
C30	451749-9	HANDLE		1		84679900		
A04D	821695-4	PLASTIC CASE		1				
C10	452143-8	SHAFT		2				
C20	455522-9	SLIDE LATCH		2				

