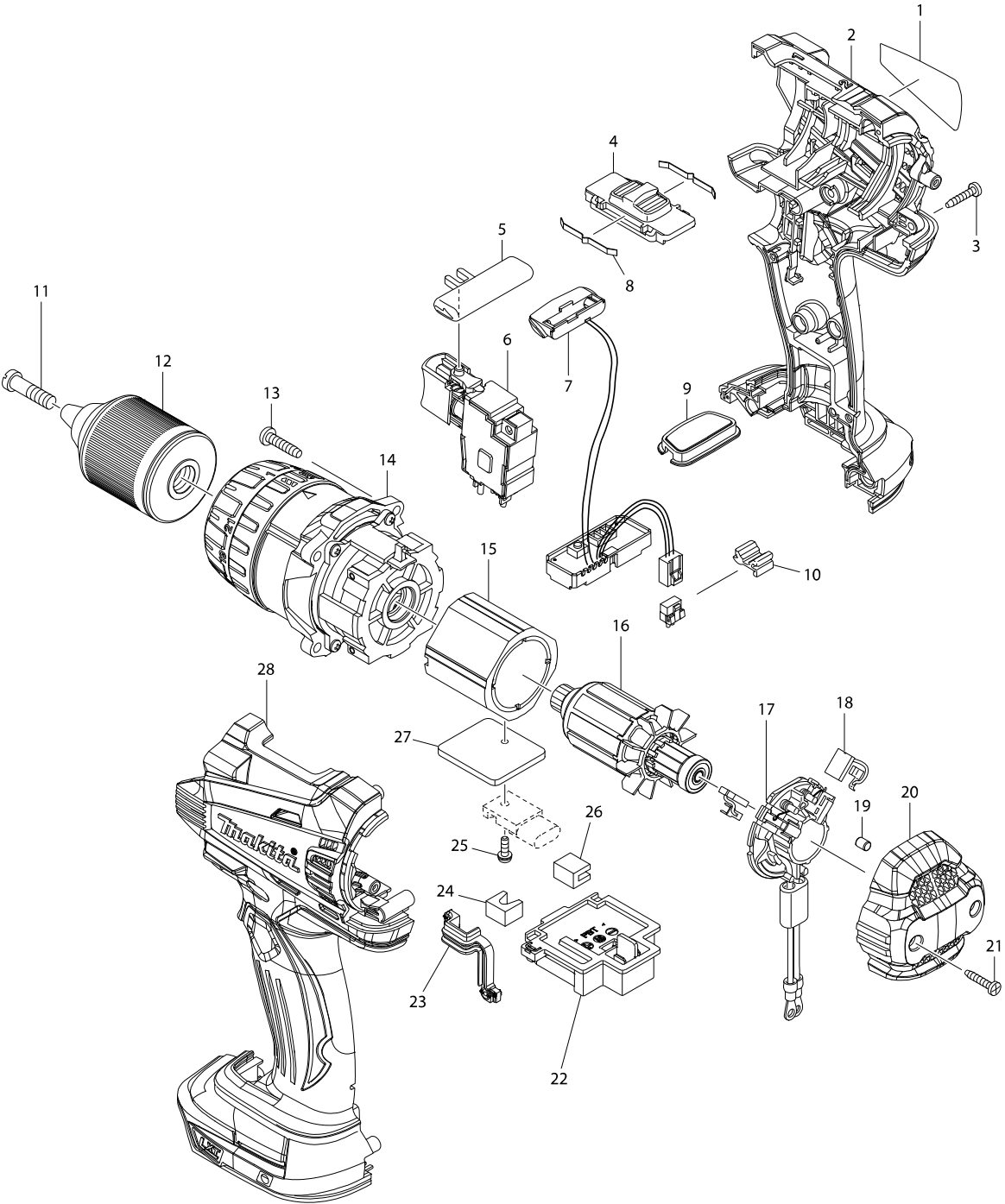


Model No. DDF458 CORDLESS DRIVER DRILL



Model No. DDF458 CORDLESS DRIVER DRILL

Item	Parts No.	Description	I/C	QTY	N/O	Opt. 1	Opt. 2	NOTE
001	814Y91-3	DDF458 NAME PLATE		1				
002	187430-3	HOUSING SET		1		84679900		
C10	263005-3	RUBBER PIN 6		2		40169390		
C20	252126-6	HEX. LOCKING NUT M4-7		2		73181500		
D10		INC. 28						
003	266130-9	TAPPING SCREW BIND PT 3X16		7		73181500		
004	126100-9	SPEED CHANGE LEVER ASSEMBLY		1		84679900		
C10	233438-6	COMPRESSION SPRING 4		2		73209090		
005	419250-0	F/R CHANGE LEVER		1		84679900		
006C	650682-4	SWITCH TG573FSB-3		1	*			
006D	650682-4	SWITCH TG573FSB-3		1	*			
006-1C	650724-4	SWITCH TG573FSB-3	<	1		85366990		
006-1D	650724-4	SWITCH TG573FSB-3	<	1		85366990		
006-1E	650724-4	SWITCH TG573FSB-3		1		85366990		
007	620138-1	LIGHT CIRCUIT		1		84679900		
008	232220-0	LEAF SPRING		2		73209090		
009	140963-9	SWITCH PLATE COMPLETE		1		39269099		
010	424476-1	CUSHION		1		40169390		
011	251468-5	- FLAT HEAD SCREW M6X22		1		73181500		
012	766015-4	KEYLESS DRILL CHUCK 13		1	*	82075000		
012-1	763248-2	KEYLESS DRILL CHUCK 13	<	1		84663010		
013	265995-6	TAPPING SCREW 4X18		4		73181500		
014	126098-0	GEAR ASSEMBLY		1		84834000		
015	638989-8	YOKE UNIT		1		84679900		
016	619301-1	ARMATURE		1	*	85030090		
016-1	619496-0	ARMATURE	<	1		85030090		
017	638614-1	BRUSH HOLDER COMPLETE		1	*	82078000		
017-1	632K62-2	BRUSH HOLDER COMPLETE	<	1		84679900		
018	194427-5	CARBON BRUSH CB-440		1		85452000		
019	263032-0	RUBBER PIN 4		2		40169390		
020	453394-6	REAR COVER		1		84679900		
021	266130-9	TAPPING SCREW BIND PT 3X16		2		73181500		
022	644808-8	TERMINAL		1		73182990		
023	424430-5	SEAL		1		40169390		
024	423422-1	SPONGE A		1		40169390		
025	911013-5	PAN HEAD SCREW M3X10		1		73181500		
026	423423-9	SPONGE B		1		40169390		
027	689176-2	HEAT SINK		1		76169990		
028	187430-3	HOUSING SET		1		84679900		
C10	263005-3	RUBBER PIN 6		2		40169390		
C20	252126-6	HEX. LOCKING NUT M4-7		2		73181500		
D10		INC. 2						
A01C	126130-0	GRIP ASSEMBLY		1	*			
C10	154935-8	GRIP 36 COMPLETE		1	*	84679900		
C20	266750-9	SQUARE BOLT M8X100		1	*			
C30	346566-9	GRIP SPRING 60		1	*	73209090		
C40	453584-1	GRIP BASE 60		1	*			
A01D	126130-0	GRIP ASSEMBLY		1	*			

Model No. DDF458 CORDLESS DRIVER DRILL

Item	Parts No.	Description	I/C	QTY	N/O	Opt. 1	Opt. 2	NOTE
C10	154935-8	GRIP 36 COMPLETE		1	*	84679900		
C20	266750-9	SQUARE BOLT M8X100		1	*			
C30	346566-9	GRIP SPRING 60		1	*	73209090		
C40	453584-1	GRIP BASE 60		1	*			
A01-1C	123258-5	GRIP ASSEMBLY	<	1		84679900		
C10	154935-8	GRIP 36 COMPLETE		1		84679900		
C20	266899-5	SQUARE BOLT M8X140		1		73181500		
C30	346566-9	GRIP SPRING 60		1		73209090		
C40	455189-3	GRIP BASE 60		1		84679900		
A01-1D	123258-5	GRIP ASSEMBLY	<	1		84679900		
C10	154935-8	GRIP 36 COMPLETE		1		84679900		
C20	266899-5	SQUARE BOLT M8X140		1		73181500		
C30	346566-9	GRIP SPRING 60		1		73209090		
C40	455189-3	GRIP BASE 60		1		84679900		
A01-1E	123258-5	GRIP ASSEMBLY		1		84679900		
C10	154935-8	GRIP 36 COMPLETE		1		84679900		
C20	266899-5	SQUARE BOLT M8X140		1		73181500		
C30	346566-9	GRIP SPRING 60		1		73209090		
C40	455189-3	GRIP BASE 60		1		84679900		
A02	251314-2	+ SCREW M4X12		2		73181500		
A03	346317-0	HOOK		1		73182990		
A04	452947-8	BIT HOLDER		1		82078000		
A05	784637-8	+/- BIT 2-45		2		82075000		
A06C	***DC18RC	DC18RC FAST CHARGER		1				
A06E	***DC18RC	DC18RC FAST CHARGER		1				
A07C	194204-5	BATTERY BL1830 SET		2	*	85076000		
A07E	196399-0	BATTERY BL1840 SET		2	*			
A07-1C	194204-5	BATTERY BL1830 SET	O	2	*	85076000		
A07-1E	196399-0	BATTERY BL1840 SET	O	2	*			
A07-2C	197605-6	BATTERY BL1830B SET	<	2		85076000		
A07-2E	197265-4	BATTERY BL1840B SET	<	2	*	85068090		
A07-3E	198012-6	BATTERY BL1840B SET	<	2				
A08C	450128-8	BATTERY COVER		1		39269099		
A08E	450128-8	BATTERY COVER		1		39269099		
A09C	821524-1	PLASTIC CARRYING CASE		1				
C10	162302-3	LATCH		2		73182990		
C20	325809-2	SHAFT		1				
C30	451749-9	HANDLE		1		84679900		
C40	453473-0	PLASTIC CASE LID		1				
A09E	821524-1	PLASTIC CARRYING CASE		1				
C10	162302-3	LATCH		2		73182990		
C20	325809-2	SHAFT		1				
C30	451749-9	HANDLE		1		84679900		
C40	453473-0	PLASTIC CASE LID		1				
A10C	802J90-7	DDF458RFE PLASTIC CASE LABEL		2				
A10E	805U89-7	DDF458RME PLASTIC CASE LABEL		2				