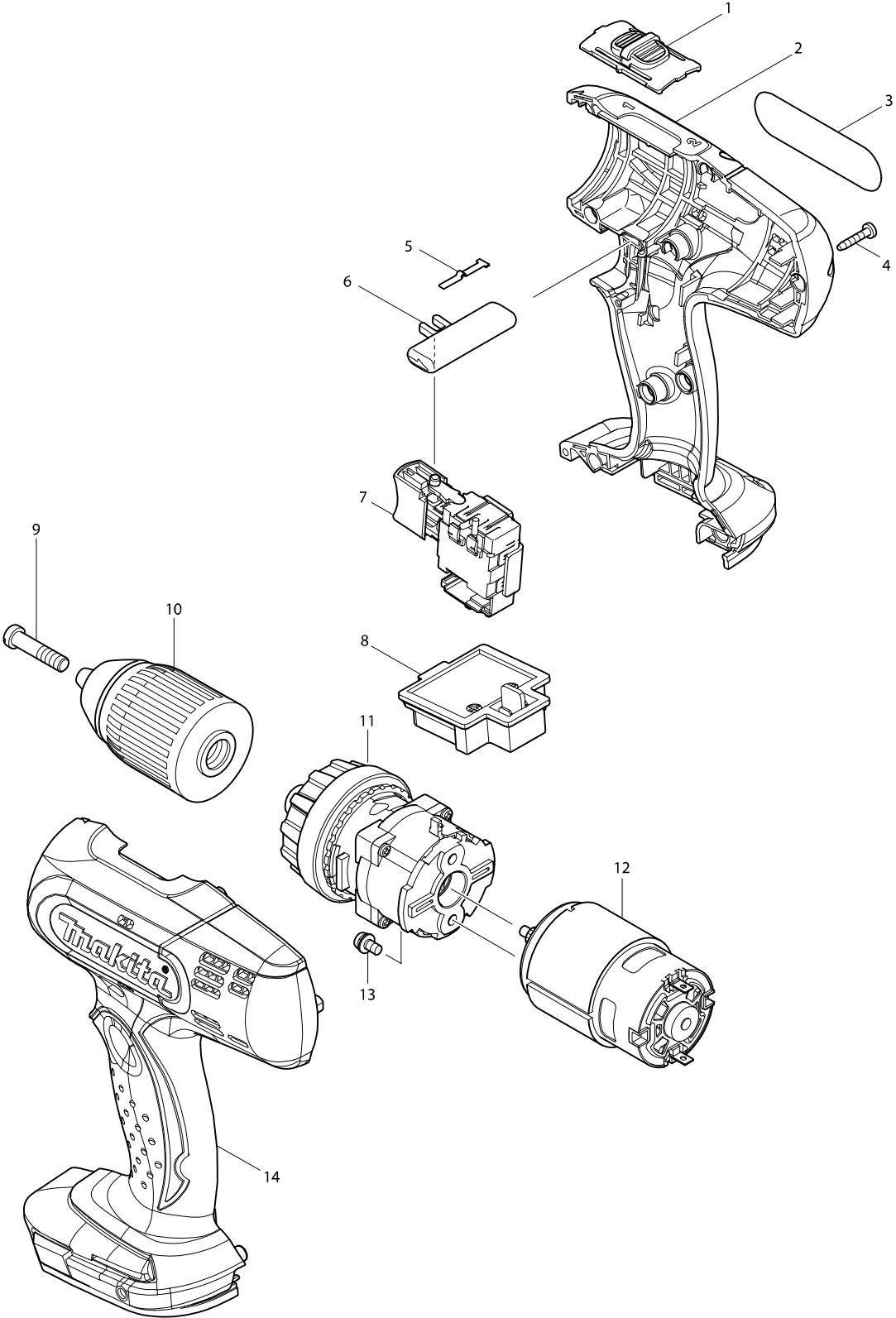


Model No. DDF453 CORDLESS DRIVER DRILL 13MM



# Model No. DDF453 CORDLESS DRIVER DRILL 13MM

Item	Parts No.	Description	I/C	QTY	N/O	Opt. 1	Opt. 2	NOTE
001	125310-5	SPEED CHANGE LEVER ASS'Y		1		84679900		
C10	231433-0	COMPRESSION SPRING 4		2		73209090		
002	187363-2	HOUSING SET		1		84679900		
D10		INC. 14						
003	815G82-9	DDF453 NAME PLATE		1		83100090		
004	266130-9	TAPPING SCREW BIND PT 3X16		9		73181500		
005	232182-2	LEAF SPRING		1		73209090		
006	419250-0	F/R CHANGE LEVER		1		84679900		
007	632A24-0	SWITCH UNIT		1		85365090		
008	643852-2	TERMINAL		1		73182990		
009	251468-5	- FLAT HEAD SCREW M6X22		1		73181500		
010	766004-9	KEYLESS DRILL CHUCK 13		1		82075000		
011A	125483-4	GEAR ASS'Y		1	*	84834000		
011-1A	125483-4	GEAR ASS'Y	O	1		84834000		
011-1B	125483-4	GEAR ASS'Y		1		84834000		
011-1C	125483-4	GEAR ASS'Y		1		84834000		
011-1D	125483-4	GEAR ASS'Y		1		84834000		
011-1F	125483-4	GEAR ASS'Y		1		84834000		
012	629834-8	DC MOTOR		1		85011019		
013	911108-4	PAN HEAD SCREW M4X8		2		73181500		
014	187363-2	HOUSING SET		1		84679900		
D10		INC. 2						
A01	784636-0	+ - BIT 2-65		1		82075000		
A02A	***DC18SD	DC18SD BATTERY CHARGER		1				
A02B	***DC18SD	DC18SD BATTERY CHARGER		1				
A02C	***DC18RC	DC18RC FAST CHARGER		1				
A02D	***DC18SD	DC18SD BATTERY CHARGER		1				
A02F	***DC18SD	DC18SD BATTERY CHARGER		1				
D10		COMPO-PARTS						
A03F	197605-6	BATTERY BL1830B SET		1		85076000		
A03-1A	196235-0	BATTERY BL1815N SET		2	*	85076000		
A03-1B	194204-5	BATTERY BL1830 SET		2	*	85076000		
A03-1C	194204-5	BATTERY BL1830 SET		2	*	85076000		
A03-1D	197605-6	BATTERY BL1830B SET		3		85076000		
A03-2A	198011-8	BATTERY BL1815N SET	X	2				
A03-2B	197605-6	BATTERY BL1830B SET	<	2		85076000		
A03-2C	197605-6	BATTERY BL1830B SET	<	2		85076000		
A04A	450128-8	BATTERY COVER		1		39269099		
A04B	450128-8	BATTERY COVER		1		39269099		
A04C	450128-8	BATTERY COVER		1		39269099		
A04D	450128-8	BATTERY COVER		2		39269099		
A04F	450128-8	BATTERY COVER		1		39269099		
A05A	158777-2	PLASTIC CARRYING CASE		1		39269099		
C10	163455-1	LATCH		2		73182990		
C20	419360-3	HANDLE		1		84679900		
A05B	158777-2	PLASTIC CARRYING CASE		1		39269099		
C10	163455-1	LATCH		2		73182990		
C20	419360-3	HANDLE		1		84679900		

