



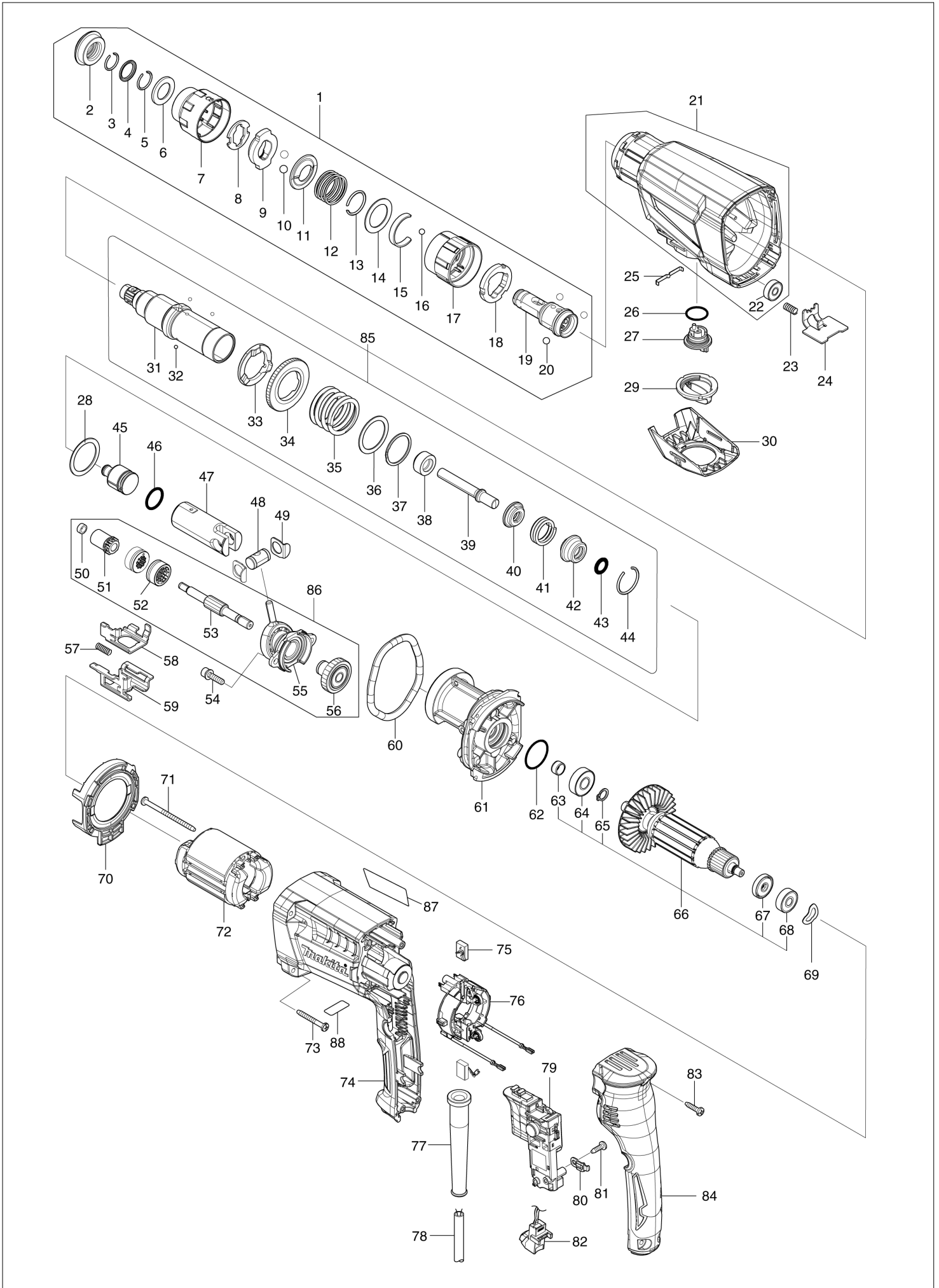
Diagram / Parts List

HR2670FT

26MM COMBINATION HAMMER



(IN) HR2670FT / 26MM COMBINATION HAMMER



IN	INDIA
-----------	--------------

HR2670FT / 26MM COMBINATION HAMMER

Item	Sub	Parts No.	Parts Description	Qty	I/C	E/C No.	Close No.	Remark
001		127219-7	TOOL HOLDER ASSEMBLY	1				
	D10		INC. 2-20					
002		422570-3	CAP 35	1				
003		233989-9	RING SPRING 14	1				
004		346834-0	WASHER 16	1				
005		233992-0	RING SPRING 15	1				
006		253467-3	WASHER 17	1				
007		459162-5	CHUCK COVER	1				
008		347687-0	PLATE	1				
009		310926-1	STOPPER	1				
010		216022-2	STEEL BALL 7.0	2				
011		347745-2	GUIDE WASHER	1				
012		232554-1	COMPRESSION SPRING 26	1				
013		233924-7	RING SPRING 21	1				
014		253468-1	FLAT WASHER 24	1				
015		232555-9	LEAF SPRING	1				
016		216018-3	STEEL BALL 5.0	1				
017		459159-4	CHANGE COVER A	1				
018		347496-7	CHANGE RING A	1				
019		327264-4	TOOL HOLDER	1				
020		216013-3	STEEL BALL 6	3				
021		137222-0	GEAR HOUSING ASS'Y	1				
	D10		INC. 22					
022		210143-2	BALL BEARING 626ZZ	1				
023		233360-7	COMPRESSION SPRING 4	1				
024		347C59-7	LOCK PLATE	1				
025		232286-0	LEAF SPRING	1				
026		213278-8	O RING 17	1				
027		137166-4	CHANGE LEVER ASSEMBLY	1				
	C10	263005-3	RUBBER PIN 6	1				
028		267153-0	FLAT WASHER 30	1				
029		455394-2	CHANGE LEVER CAP	1				
030		4130H9-3	CHANGE LEVER COVER	1				
031		141W50-5	TOOL HOLDER GUIDE COMPLETE	1				
032		216019-1	STEEL BALL 3	3				
032-1		216068-8	STEEL BALL 3	3	<	DX515		DX515
033		327D75-1	DRIVING FLANGE	1				
034		227B57-0	SPUR GEAR 40	1				
035		234148-8	COMPRESSION SPRING 31	1				
036		267153-0	FLAT WASHER 30	1				
037		257932-4	SPIRO LOCK WASHER 30	1				
038		327D80-8	SLEEVE 9	1				
039		327D82-4	IMPACT BOLT B	1				
040		325792-3	WASHER 10	1				
041		234149-6	COMPRESSION SPRING 20	1				
042		325793-1	O-RING CASE B	1				
043		213073-6	O RING 9	1				
044		233979-2	RING SPRING 28	1				
045		325784-2	STRIKER	1				
046		213258-4	O RING 17.5	1				
047		327D74-3	PISTON CYLINDER	1				
048		327D79-3	PISTON JOINT	1				
049		347C60-2	GUIDE PLATE	2				
050		257A41-5	RING 6	1				
051		227B56-2	SPUR GEAR 9	1				
052		310678-4	CLUTCH CAM	2				
053		327D78-5	CAM SHAFT	1				
054		265D67-1	HEX SOCKET HEAD BOLT M5X20 WIT	2				
055		219036-0	SWASH BEARING 9-15	1				
056		141W51-3	HELICAL GEAR 30 COMPLETE	1				
057		234343-0	COMPRESSION SPRING 5	1				
058		346833-2	CHANGE PLATE B	1				
059		346832-4	CHANGE PLATE A	1				
060		213728-3	O-RING 68	1				
061		141W46-6	INNER HOUSING COMPLETE	1				

A:HR2670FT(H)
L:HR2670FT(L)

Interchange
O : Yes
X : No
< : the new part can be substituted for the current.
> : the current part can be substituted for the new.
S : Interchangeable as a set.

IN	INDIA
-----------	--------------

HR2670FT / 26MM COMBINATION HAMMER

Item	Sub	Parts No.	Parts Description	Qty	I/C	E/C No.	Close No.	Remark
062		213407-3	O RING 26	1				
063		257A43-1	SLEEVE 9	1				
064		210059-1	BALL BEARING 6000DDW	1				
065		961006-2	RETAINING RING S-10	1				
066A		510613-4	ARMATURE ASS'Y 240V	1				
066L		510610-0	ARMATURE ASS'Y 115V	1				
	D10		INC. 63-65,67,68					
067		681652-2	INSULATION WASHER	1				
068		210023-2	BALL BEARING 627DDW	1				
069		267804-5	WAVE WASHER 15	1				
070		4130J1-3	BAFFLE PLATE	1				
071		266340-8	TAPPING SCREW 4X65	2				
072A		634864-6	FIELD 240V	1				
072L		634861-2	FIELD 115V	1				
073		266053-1	TAPPING SCREW 4X35	4				
074		4130H7-7	MOTOR HOUSING	1				
075		194074-2	CARBON BRUSH CB-325	1				
076		632V64-4	BRUSH HOLDER UNIT	1				
077		682566-8	CORD GUARD 10	1				
078		665890-4	POWER SUPPLY CORD 1.0-2-4.0	1				
079		651087-1	SWITCH	1				
080		687682-1	STRAIN RELIEF	1				
081		266385-6	TAPPING SCREW 4X14	1				
082A		631937-6	LIGHT CIRCUIT	1				
082L		631936-8	LIGHT CIRCUIT	1				
083		266326-2	TAPPING SCREW 4X18	3				
084		4130H8-5	HANDLE COVER	1				
085		137230-1	TOOL HOLDER ASS'Y	1			DX515	
	D10		INC. 31-44				DX515	
085-1		137260-2	TOOL HOLDER ASS'Y	1	<	DX515		
	D10		INC. 31-44			DX515		
086		137224-6	CAM SHAFT ASS'Y	1				
	D10		INC. 50-53,55,56					
087		8147V7-4	HR2670FT NAME PLATE	1				
088		8147V8-2	HR2670FT SERIAL NO. LABEL	1				
A01		122G56-6	GRIP ASSEMBLY	1				
A02		191F46-4	DRILL CHUCK SET	1				
A03		321144-6	DEPTH GAUGE	1				
A04		821925-3	PLASTIC CARRYING CASE	1				
	C10	417724-5	LATCH	2				
B01		1915A6-7	HAMMER SERVICE KIT	1				
	C10	195127-0	OIL VESSEL SET	1				
	D10		INC. 2,3,5,10,43,44,46,75					
F08		1914L8-4	DUSTCUP SET	1				
F09		1914M0-7	DUSTCUP SET	1				
G12		1914X3-8	DUST EXTRACTION PAD SET	1		DW136		

<p>A:HR2670FT(H) L:HR2670FT(L)</p>	<p>Interchange O : Yes X : No < : the new part can be substituted for the current. > : the current part can be substituted for the new. S : Interchangeable as a set.</p>
--	---