



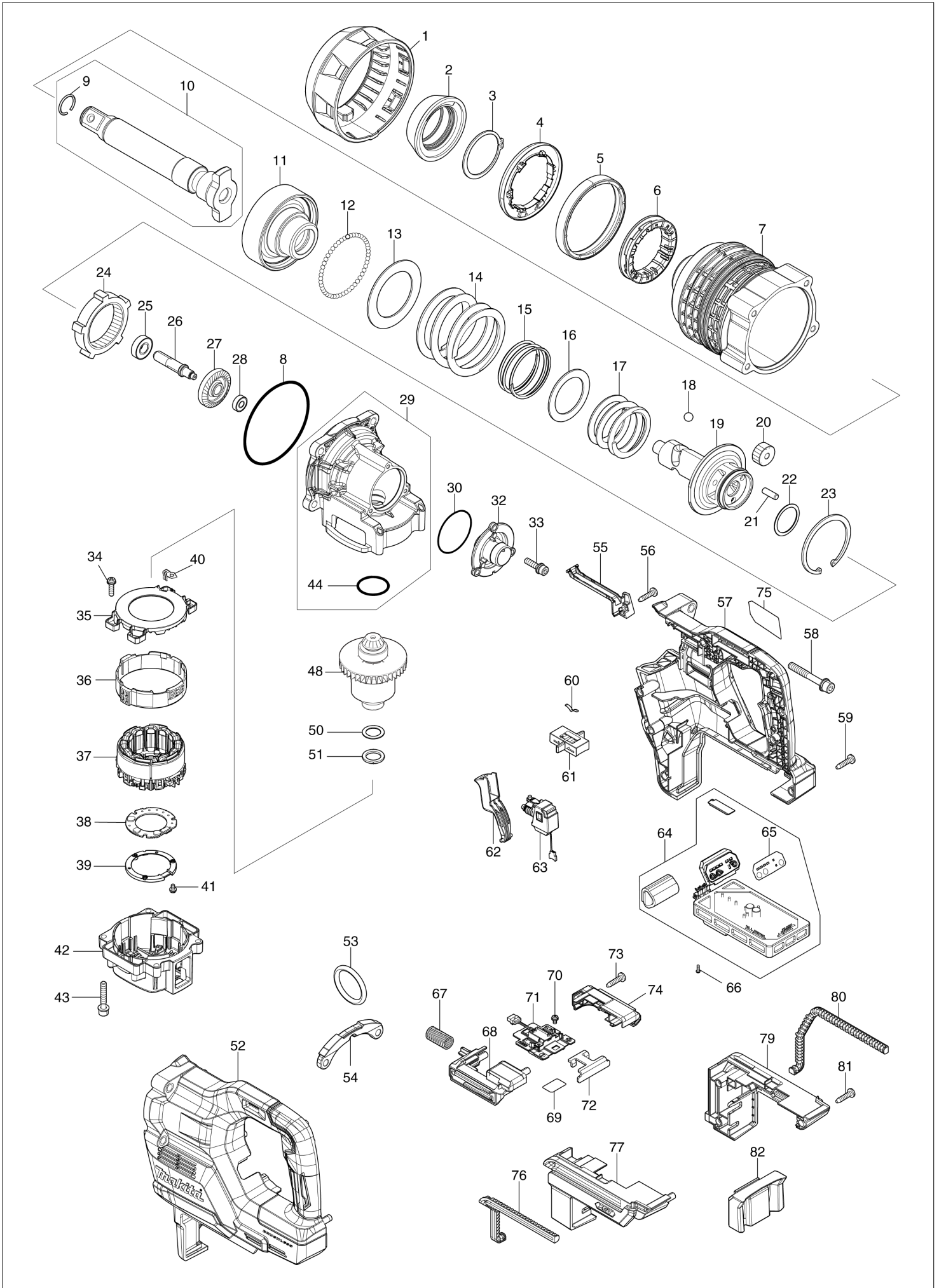
# Diagram / Parts List

**TW010G**

**CORDLESS IMPACT WRENCH**



(IN) TW010G / CORDLESS IMPACT WRENCH



<b>IN</b>	<b>INDIA</b>
-----------	--------------

## TW010G / CORDLESS IMPACT WRENCH

Item	Sub	Parts No.	Parts Description	Qty	I/C	E/C No.	Close No.	Remark
001		422B76-3	BUMPER D	1				
002		422B75-5	BUMPER C	1				
003		961254-3	RETAINING RING (EXT) S-58	1				
004		620P36-5	LED CIRCUIT	1				
005		422B71-3	BUFFER RUBBER A	1				
006		422B72-1	BUFFER RUBBER B	1				
007		141W71-7	HAMMER CASE COMPLETE	1			DW500	
007-1		1411R8-8	HAMMER CASE COMPLETE	1	<	DW500		
008		213914-6	O-RING 100	1				
009		231921-7	RING SPRING 22	1				
010		137142-8	ANVIL L ASS'Y	1				
	D10		INC. 9					
011		327D89-0	HAMMER	1				
012		216018-3	STEEL BALL 5.0	49				
013		253609-9	FLAT WASHER 60A	1				
014		232874-3	COMPRESSION SPRING 71	1				
015		232875-1	COMPRESSION SPRING 61	1				
016		253610-4	FLAT WASHER 48	1				
017		232873-5	COMPRESSION SPRING51	1				
018		216010-9	STEEL BALL 10.3	2				
019		327D88-2	SPINDLE	1				
020		227B64-3	SPUR GEAR 24	3				
021		256197-5	PIN 7	3				
022		267039-8	FLAT WASHER 32	1				
023		962352-6	RETAINING RING R-75	1				
024		227B58-8	INTERNAL GEAR 57	1				
025		211131-2	BALL BEARING 6001DDW	1				
026		227B63-5	SPUR GEAR 9	1				
027		227B61-9	SPIRAL BEVEL GEAR 31	1				
028		211021-9	BALL BEARING 607LLB	1				
029		137146-0	INTERNAL GEAR CASE ASSY	1				
	C10	263002-9	RUBBER PIN 4	1				
	D10		INC. 44					
030		213604-1	O RING 50	1				
032		137161-4	BEARING COVER ASSEMBLY	1				
	C10	263002-9	RUBBER PIN 4	1				
033		266903-0	HEX.S.HEAD BOLT M5X20 WITH WR	3				
034		911128-8	P.H.SCREW M4X16 WITH WR	4				
035		4130L1-7	BUFFLE PLATE	1				
036		4130L0-9	MOTOR HOUSING INNER	1			DV067	
037		629C72-0	STATOR	1			DV067	
038		620P37-3	CONTROLLER B	1			DV067	
039		687B69-9	STOPPER	1			DV067	
041		652031-1	PAN HEAD SCREW M3X6	3			DW500	
041-1		652077-7	FLAT HEAD SCREW M3X6	3	O	DW500		
042		312F54-4	MOTOR HOUSING	1			DV067	
042-1		1410X4-2	MOTOR HOUSING COMPLETE	1	S	DV067		
043		265D24-9	H. S. H. BOLT M5X30 WITH WRM	4				
044		213460-9	O RING 35	1				
048		519860-4	ROTOR ASS'Y	1			DT526	
048-1		519860-4	ROTOR ASS'Y	1	O	DT526		
050		253198-4	FLAT WASHER 18	1				
051		261129-9	URETHANE WASHER 18	1				
052		1830L3-4	HOUSING SET	1			DW500	
	D10		INC. 57				DW500	
052-1		1831F9-6	HOUSING SET	1	<	DW500		
	D10		INC. 57			DW500		
053		282022-4	RING 40	1				
054		162D36-2	BRACKET	1				
055		4130L2-5	LEAD COVER	1				
056		266326-2	TAPPING SCREW 4X18	1				
057		1830L3-4	HOUSING SET	1			DW500	
	D10		INC. 52				DW500	
057-1		1831F9-6	HOUSING SET	1	<	DW500		
	D10		INC. 52			DW500		

A:TW010GZ(N)  
B:TW010GT201(H)

Interchange  
O : Yes  
X : No  
< : the new part can be substituted for the current.  
> : the current part can be substituted for the new.  
S : Interchangeable as a set.

