



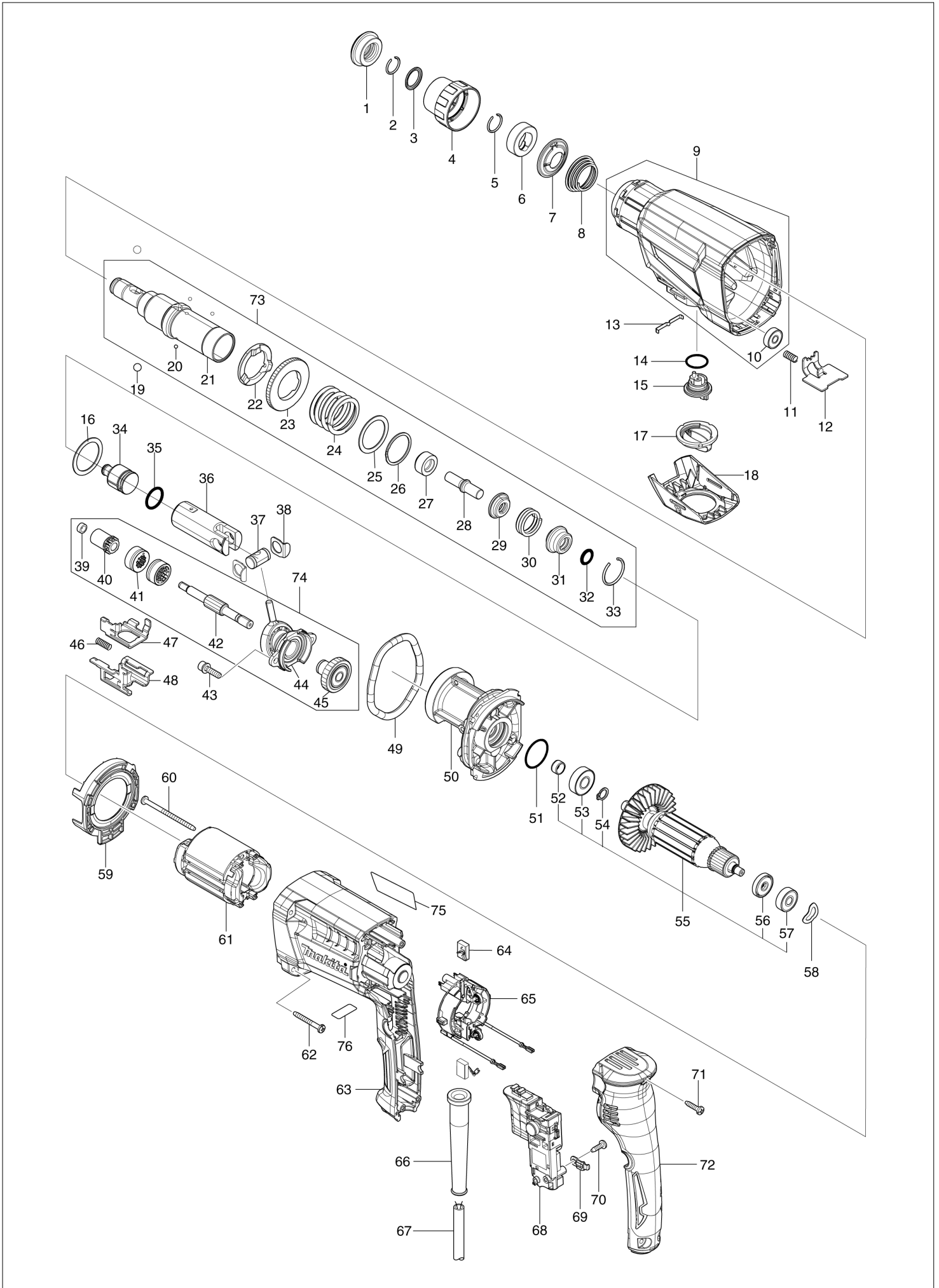
# Diagram / Parts List

**HR2670**

**26MM COMBINATION HAMMER**



# (IN) HR2670 / 26MM COMBINATION HAMMER



IN

INDIA

## HR2670 / 26MM COMBINATION HAMMER

Item	Sub	Parts No.	Parts Description	Qty	I/C	E/C No.	Close No.	Remark
001		286288-8	CAP 35	1				
002		233989-9	RING SPRING 14	1				
003		346834-0	WASHER 16	1				
004		4130J0-5	CHUCK COVER	1				
005		233992-0	RING SPRING 15	1				
006		327269-4	RING 17	1				
007		347944-6	GUIDE WASHER	1				
008		232503-8	CONICAL COMP. SPRING 21-34	1				
009		137222-0	GEAR HOUSING ASS'Y	1				
	D10		INC. 10					
010		210143-2	BALL BEARING 626ZZ	1				
011		233360-7	COMPRESSION SPRING 4	1				
012		347C59-7	LOCK PLATE	1				
013		232286-0	LEAF SPRING	1				
014		213278-8	O RING 17	1				
015		137166-4	CHANGE LEVER ASSEMBLY	1				
	C10	263005-3	RUBBER PIN 6	1				
016		267153-0	FLAT WASHER 30	1				
017		455394-2	CHANGE LEVER CAP	1				
018		4130H9-3	CHANGE LEVER COVER	1				
019		216022-2	STEEL BALL 7.0	2				
020		216019-1	STEEL BALL 3	3				
021		141W48-2	TOOL HOLDER COMPLETE	1				
022		327D75-1	DRIVING FLANGE	1				
023		227B57-0	SPUR GEAR 40	1				
024		234148-8	COMPRESSION SPRING 31	1				
025		267153-0	FLAT WASHER 30	1				
026		257932-4	SPIRO LOCK WASHER 30	1				
027		327D80-8	SLEEVE 9	1				
028		327D81-6	IMPACT BOLT A	1				
029		325792-3	WASHER 10	1				
030		234149-6	COMPRESSION SPRING 20	1				
031		325793-1	O-RING CASE B	1				
032		213073-6	O RING 9	1				
033		233979-2	RING SPRING 28	1				
034		325784-2	STRIKER	1				
035		213258-4	O RING 17.5	1				
036		327D74-3	PISTON CYLINDER	1				
037		327D79-3	PISTON JOINT	1				
038		347C60-2	GUIDE PLATE	2				
039		257A41-5	RING 6	1				
040		227B56-2	SPUR GEAR 9	1				
041		310678-4	CLUTCH CAM	2				
042		327D78-5	CAM SHAFT	1				
043		265D67-1	HEX SOCKET HEAD BOLT M5X20 WIT	2				
044		219036-0	SWASH BEARING 9-15	1				
045		141W51-3	HELICAL GEAR 30 COMPLETE	1				
046		234343-0	COMPRESSION SPRING 5	1				
047		346833-2	CHANGE PLATE B	1				
048		346832-4	CHANGE PLATE A	1				
049		213728-3	O-RING 68	1				
050		141W46-6	INNER HOUSING COMPLETE	1				
051		213407-3	O RING 26	1				
052		257A43-1	SLEEVE 9	1				
053		210059-1	BALL BEARING 6000DDW	1				
054		961006-2	RETAINING RING S-10	1				
055A		510613-4	ARMATURE ASS'Y 240V	1				
055L		510610-0	ARMATURE ASS'Y 115V	1				
	D10		INC. 52-54,56,57					
056		681652-2	INSULATION WASHER	1				
057		210023-2	BALL BEARING 627DDW	1				
058		267804-5	WAVE WASHER 15	1				
059		4130J1-3	BAFFLE PLATE	1				
060		266340-8	TAPPING SCREW 4X65	2				
061A		634864-6	FIELD 240V	1				

A:HR2670(H)  
L:HR2670(L)

Interchange

O : Yes

X : No

&lt; : the new part can be substituted for the current.

&gt; : the current part can be substituted for the new.

S : Interchangeable as a set.

