



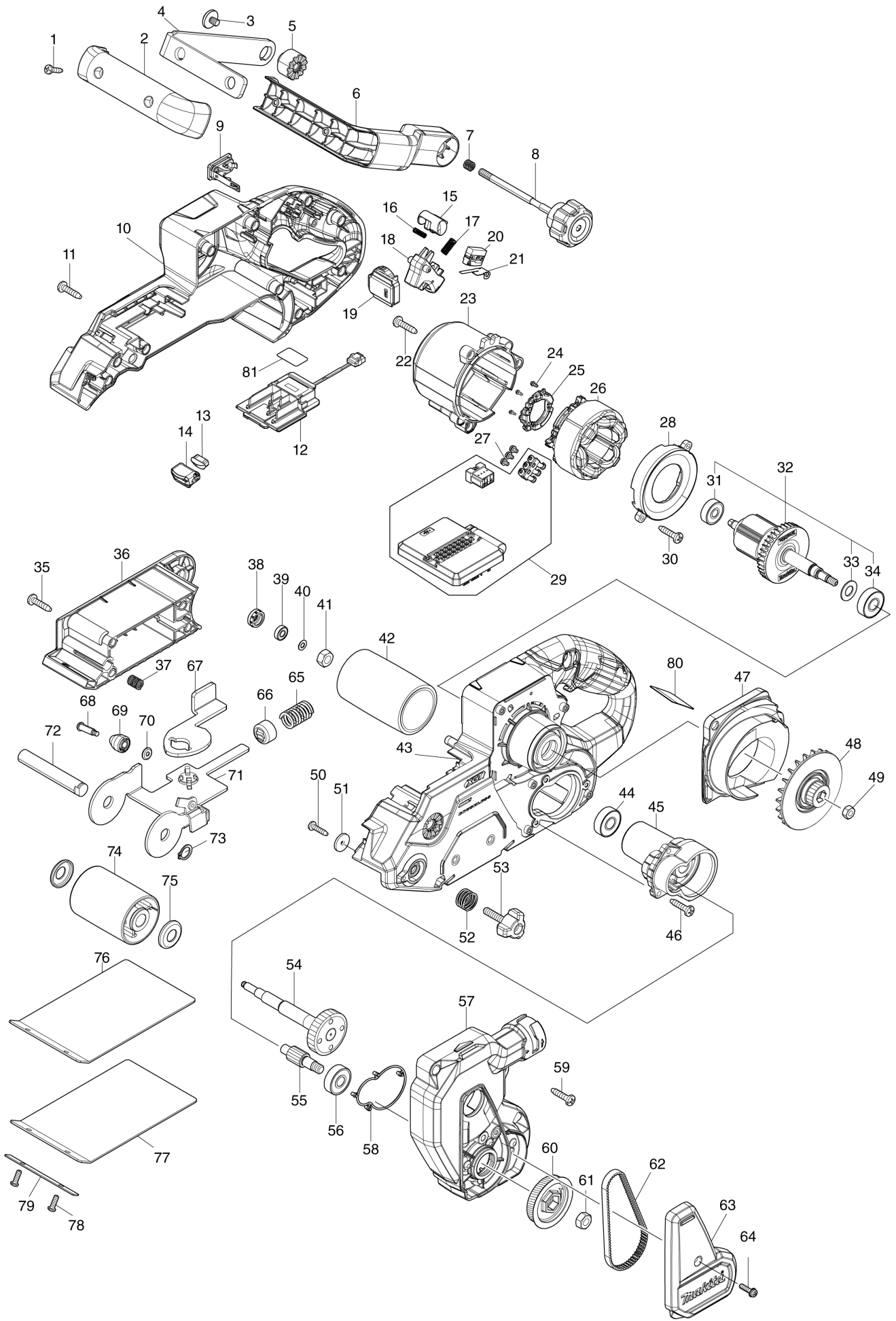
# Diagram / Parts List

**BS001G**

**76MM CORDLESS BELT SANDER**



(IN) BS001G / 76MM CORDLESS BELT SANDER



<b>IN</b>	<b>INDIA</b>
-----------	--------------

## BS001G / 76MM CORDLESS BELT SANDER

Item	Sub	Parts No.	Parts Description	Qty	I/C	E/C No.	Close No.	Remark
001		266326-2	TAPPING SCREW 4X18	2				
002		1830W6-5	FRONT HANDLE SET	1				
	D10		INC. 6					
003		265E03-3	+ FLAT HEAD SCREW M6X8	1				
004		347C69-4	FRONT HANDLE C	1				
005		4130P5-7	FRONT HANDLE CAM	1				
006		1830W6-5	FRONT HANDLE SET	1				
	D10		INC. 2					
007		231326-1	COMPRESSION SPRING 6	1				
008		265D79-4	KNOB 40	1				
009		140G30-2	CAP COMPLETE	1				
	C10	213A05-9	O-RING16	1				
010		1830W1-5	HOUSING SET	1				
	C10	263005-3	RUBBER PIN 6	4				
	C20	8079S1-4	CAUTION LABEL	1				
	D10		INC. 43					
011		266326-2	TAPPING SCREW 4X18	11				
012		632P64-8	TERMINAL UNIT	1				
013		620F48-8	LED CIRCUIT	1				
014		412719-3	LED HOUSING	1				
015		4130N7-9	LOCKON BUTTON	1				
016		231433-0	COMPRESSION SPRING 4	1				
017		231372-4	COMPRESSION SPRING 5	1				
018		141Y94-7	SWITCH LEVER COMPLETE	1				
019		620H67-6	DIAL CIRCUIT	1				
020		632V75-9	SWITCH UNIT	1				
021		232672-5	LEAF SPRING	1				
022		266326-2	TAPPING SCREW 4X18	3				
023		4130P2-3	MOTOR HOUSING	1				
024		652119-7	PAN HEAD SCREW M2X6	3				
025		632R96-7	SENSOR UNIT	1				
026		629A85-9	STATOR	1				
027		652069-6	FLAT HEAD SCREW M3X6	3				
028		4130P3-1	BUFFLE PLATE	1				
029		620P40-4	CONTROLLER	1				
030		266326-2	TAPPING SCREW 4X18	2				
031		210023-2	BALL BEARING 627DDW	1				
032		519864-6	ROTOR ASS'Y	1				
	D10		INC. 31,33,34					
033		267256-0	FLAT WASHER 10	1				
034		210059-1	BALL BEARING 6000DDW	1				
035		266326-2	TAPPING SCREW 4X18	4				
036		4130N3-7	ROLLER COVER	1				
037		233249-9	COMPRESSION SPRING 7	1				
038		421977-0	RUBBER RING 13	1				
039		210278-9	BALL BEARING 695 DDW	1				
040		253811-4	FLAT WASHER 5	1				
041		252154-1	HEX. NUT M8-13	1				
042		162217-4	DRIVING ROLLER	1				
043		1830W1-5	HOUSING SET	1				
	C10	263005-3	RUBBER PIN 6	4				
	C20	8079S1-4	CAUTION LABEL	1				
	D10		INC. 10					
044		210059-1	BALL BEARING 6000DDW	1				
045		141Y93-9	FRAME COMPLETE	1				
046		266326-2	TAPPING SCREW 4X18	3				
047		4130P1-5	SCROLL COVER	1				
048		241663-5	FAN 76	1				
049		252153-3	HEX. NUT M6-10	1				
050		266326-2	TAPPING SCREW 4X18	1				
051		253400-5	FLAT WASHER 4	1				
052		233142-7	COMPRESSION SPRING 14	1				
053		265790-4	THUMB SCREW M6X28	1				
054		141Y92-1	HERICAL GEAR 39 COMPLETE	1				
055		226520-8	HELICAL GEAR 10	1				

A:BS001GZ(N)  
B:BS001GM201(H)

Interchange  
O : Yes  
X : No  
< : the new part can be substituted for the current.  
> : the current part can be substituted for the new.  
S : Interchangeable as a set.

