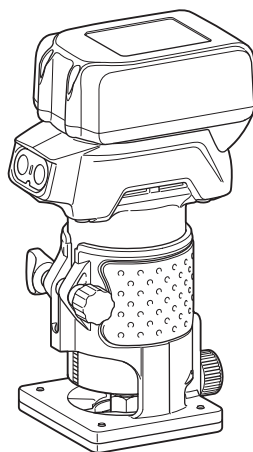


INSTRUCTION MANUAL



Cordless Trimmer

DRT52



Read before use.

SPECIFICATIONS

Model:	DRT52
Collet chuck capacity	6 mm, or 1/4"
No load speed	30,000 min ⁻¹
Overall height (with BL1860B)	220 mm
Rated voltage	D.C. 18 V
Net weight	1.3 - 1.6 kg

- Due to our continuing program of research and development, the specifications herein are subject to change without notice.
- Specifications and battery cartridge may differ from country to country.
- The weight may differ depending on the attachment(s), including the battery cartridge. The lightest and heaviest combinations, according to EPTA-Procedure 01/2014, are shown in the table.

Applicable battery cartridge and charger

Battery cartridge	BL1815N / BL1820B / BL1830B / BL1840B / BL1850B / BL1860B
Charger	DC18RC / DC18RD / DC18RE / DC18SD / DC18SE / DC18SF / DC18SH / DC18WC

- Some of the battery cartridges and chargers listed above may not be available depending on your region of residence.

⚠ WARNING: Only use the battery cartridges and chargers listed above. Use of any other battery cartridges and chargers may cause injury and/or fire.

Symbols

The followings show the symbols which may be used for the equipment. Be sure that you understand their meaning before use.



Read instruction manual.



Wear eye protection.



Ni-MH
Li-ion

Only for EU countries
Due to the presence of hazardous components in the equipment, waste electrical and electronic equipment, accumulators and batteries may have a negative impact on the environment and human health. Do not dispose of electrical and electronic appliances or batteries with household waste!
In accordance with the European Directive on waste electrical and electronic equipment and on accumulators and batteries and waste accumulators and batteries, as well as their adaptation to national law, waste electrical equipment, batteries and accumulators should be stored separately and delivered to a separate collection point for municipal waste, operating in accordance with the regulations on environmental protection.
This is indicated by the symbol of the crossed-out wheeled bin placed on the equipment.

Intended use

The tool is intended for trimming the edge of laminate sheet or similar materials.

Noise

The typical A-weighted noise level determined according to EN62841-2-17:

Sound pressure level (L_{pA}) : 81 dB (A)

Sound power level (L_{WA}) : 89 dB (A)

Uncertainty (K) : 3 dB (A)

NOTE: The declared noise emission value(s) has been measured in accordance with a standard test method and may be used for comparing one tool with another.

NOTE: The declared noise emission value(s) may also be used in a preliminary assessment of exposure.

⚠ WARNING: Wear ear protection.

⚠ WARNING: The noise emission during actual use of the power tool can differ from the declared value(s) depending on the ways in which the tool is used especially what kind of workpiece is processed.

⚠ WARNING: Be sure to identify safety measures to protect the operator that are based on an estimation of exposure in the actual conditions of use (taking account of all parts of the operating cycle such as the times when the tool is switched off and when it is running idle in addition to the trigger time).

Vibration

The vibration total value (tri-axial vector sum) determined according to EN62841-2-17:

Work mode: rotation without load

Vibration emission (a_h): 2.5 m/s² or less

Uncertainty (K): 1.5 m/s²

NOTE: The declared vibration total value(s) has been measured in accordance with a standard test method and may be used for comparing one tool with another.

NOTE: The declared vibration total value(s) may also be used in a preliminary assessment of exposure.

⚠WARNING: The vibration emission during actual use of the power tool can differ from the declared value(s) depending on the ways in which the tool is used especially what kind of workpiece is processed.

⚠WARNING: Be sure to identify safety measures to protect the operator that are based on an estimation of exposure in the actual conditions of use (taking account of all parts of the operating cycle such as the times when the tool is switched off and when it is running idle in addition to the trigger time).

Declarations of Conformity

For European countries only

The Declarations of conformity are included in Annex A to this instruction manual.

SAFETY WARNINGS

General power tool safety warnings

⚠WARNING Read all safety warnings, instructions, illustrations and specifications provided with this power tool. Failure to follow all instructions listed below may result in electric shock, fire and/or serious injury.

Save all warnings and instructions for future reference.

The term "power tool" in the warnings refers to your mains-operated (corded) power tool or battery-operated (cordless) power tool.

Work area safety

1. **Keep work area clean and well lit.** Cluttered or dark areas invite accidents.
2. **Do not operate power tools in explosive atmospheres, such as in the presence of flammable liquids, gases or dust.** Power tools create sparks which may ignite the dust or fumes.
3. **Keep children and bystanders away while operating a power tool.** Distractions can cause you to lose control.

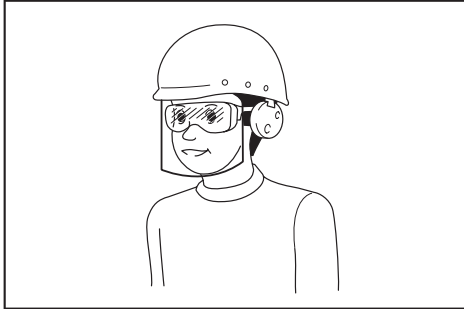
Electrical safety

1. **Power tool plugs must match the outlet. Never modify the plug in any way. Do not use any adapter plugs with earthed (grounded) power tools.** Unmodified plugs and matching outlets will reduce risk of electric shock.
2. **Avoid body contact with earthed or grounded surfaces, such as pipes, radiators, ranges and refrigerators.** There is an increased risk of electric shock if your body is earthed or grounded.
3. **Do not expose power tools to rain or wet conditions.** Water entering a power tool will increase the risk of electric shock.
4. **Do not abuse the cord. Never use the cord for carrying, pulling or unplugging the power tool. Keep cord away from heat, oil, sharp edges or moving parts.** Damaged or entangled cords increase the risk of electric shock.
5. **When operating a power tool outdoors, use an extension cord suitable for outdoor use.** Use of a cord suitable for outdoor use reduces the risk of electric shock.
6. **If operating a power tool in a damp location is unavoidable, use a residual current device (RCD) protected supply.** Use of an RCD reduces the risk of electric shock.
7. **Power tools can produce electromagnetic fields (EMF) that are not harmful to the user.** However, users of pacemakers and other similar medical devices should contact the maker of their device and/or doctor for advice before operating this power tool.

Personal safety

1. **Stay alert, watch what you are doing and use common sense when operating a power tool. Do not use a power tool while you are tired or under the influence of drugs, alcohol or medication.** A moment of inattention while operating power tools may result in serious personal injury.
2. **Use personal protective equipment. Always wear eye protection.** Protective equipment such as a dust mask, non-skid safety shoes, hard hat or hearing protection used for appropriate conditions will reduce personal injuries.
3. **Prevent unintentional starting. Ensure the switch is in the off-position before connecting to power source and/or battery pack, picking up or carrying the tool.** Carrying power tools with your finger on the switch or energising power tools that have the switch on invites accidents.
4. **Remove any adjusting key or wrench before turning the power tool on.** A wrench or a key left attached to a rotating part of the power tool may result in personal injury.
5. **Do not overreach. Keep proper footing and balance at all times.** This enables better control of the power tool in unexpected situations.
6. **Dress properly. Do not wear loose clothing or jewellery. Keep your hair and clothing away from moving parts.** Loose clothes, jewellery or long hair can be caught in moving parts.
7. **If devices are provided for the connection of dust extraction and collection facilities, ensure these are connected and properly used.** Use of dust collection can reduce dust-related hazards.

8. **Do not let familiarity gained from frequent use of tools allow you to become complacent and ignore tool safety principles.** A careless action can cause severe injury within a fraction of a second.
9. **Always wear protective goggles to protect your eyes from injury when using power tools.** The goggles must comply with ANSI Z87.1 in the USA, EN 166 in Europe, or AS/NZS 1336 in Australia/New Zealand. In Australia/New Zealand, it is legally required to wear a face shield to protect your face, too.
7. **Use the power tool, accessories and tool bits etc. in accordance with these instructions, taking into account the working conditions and the work to be performed.** Use of the power tool for operations different from those intended could result in a hazardous situation.
8. **Keep handles and grasping surfaces dry, clean and free from oil and grease.** Slippery handles and grasping surfaces do not allow for safe handling and control of the tool in unexpected situations.
9. **When using the tool, do not wear cloth work gloves which may be entangled.** The entanglement of cloth work gloves in the moving parts may result in personal injury.



It is an employer's responsibility to enforce the use of appropriate safety protective equipments by the tool operators and by other persons in the immediate working area.

Power tool use and care

1. **Do not force the power tool. Use the correct power tool for your application.** The correct power tool will do the job better and safer at the rate for which it was designed.
2. **Do not use the power tool if the switch does not turn it on and off.** Any power tool that cannot be controlled with the switch is dangerous and must be repaired.
3. **Disconnect the plug from the power source and/or remove the battery pack, if detachable, from the power tool before making any adjustments, changing accessories, or storing power tools.** Such preventive safety measures reduce the risk of starting the power tool accidentally.
4. **Store idle power tools out of the reach of children and do not allow persons unfamiliar with the power tool or these instructions to operate the power tool.** Power tools are dangerous in the hands of untrained users.
5. **Maintain power tools and accessories. Check for misalignment or binding of moving parts, breakage of parts and any other condition that may affect the power tool's operation. If damaged, have the power tool repaired before use.** Many accidents are caused by poorly maintained power tools.
6. **Keep cutting tools sharp and clean.** Properly maintained cutting tools with sharp cutting edges are less likely to bind and are easier to control.

Battery tool use and care

1. **Recharge only with the charger specified by the manufacturer.** A charger that is suitable for one type of battery pack may create a risk of fire when used with another battery pack.
2. **Use power tools only with specifically designed battery packs.** Use of any other battery packs may create a risk of injury and fire.
3. **When battery pack is not in use, keep it away from other metal objects, like paper clips, coins, keys, nails, screws or other small metal objects, that can make a connection from one terminal to another.** Shorting the battery terminals together may cause burns or a fire.
4. **Under abusive conditions, liquid may be ejected from the battery; avoid contact. If contact accidentally occurs, flush with water. If liquid contacts eyes, additionally seek medical help.** Liquid ejected from the battery may cause irritation or burns.
5. **Do not use a battery pack or tool that is damaged or modified.** Damaged or modified batteries may exhibit unpredictable behaviour resulting in fire, explosion or risk of injury.
6. **Do not expose a battery pack or tool to fire or excessive temperature.** Exposure to fire or temperature above 130 °C may cause explosion.
7. **Follow all charging instructions and do not charge the battery pack or tool outside the temperature range specified in the instructions.** Charging improperly or at temperatures outside the specified range may damage the battery and increase the risk of fire.

Service

1. **Have your power tool serviced by a qualified repair person using only identical replacement parts.** This will ensure that the safety of the power tool is maintained.
2. **Never service damaged battery packs.** Service of battery packs should only be performed by the manufacturer or authorized service providers.
3. **Follow instruction for lubricating and changing accessories.**

Cordless trimmer safety warnings

1. Use clamps or another practical way to secure and support the workpiece to a stable platform. Holding the work by your hand or against the body leaves it unstable and may lead to loss of control.
2. Hold the power tool by insulated gripping surfaces only, because the cutter may contact hidden wiring. Cutting a "live" wire may make exposed metal parts of the power tool "live" and could give the operator an electric shock.
3. Only use a trimmer bit that is rated at least equal to the maximum speed marked on the tool. If the tool has a variable speed control function, set the tool speed under the speed rating of the trimmer bit.
4. The trimmer bit shank must match the designed collet chuck.
5. Wear hearing protection during extended period of operation.
6. Handle the trimmer bits very carefully.
7. Check the trimmer bit carefully for cracks or damage before operation. Replace cracked or damaged trimmer bit immediately.
8. Avoid cutting nails. Inspect for and remove all nails from the workpiece before operation.
9. Hold the tool firmly.
10. Keep hands away from rotating parts.
11. Make sure the trimmer bit is not contacting the workpiece before the switch is turned on.
12. Before using the tool on an actual workpiece, let it run for a while. Watch for vibration or wobbling that could indicate improperly installed trimmer bit.
13. Be careful of the trimmer bit rotating direction and the feed direction.
14. Do not leave the tool running. Operate the tool only when hand-held.
15. Always switch off and wait for the trimmer bit to come to a complete stop before removing the tool from workpiece.
16. Do not touch the trimmer bit immediately after operation; it may be extremely hot and could burn your skin.
17. Do not smear the base carelessly with thinner, gasoline, oil or the like. They may cause cracks in the base.
18. Use trimmer bits of the correct shank diameter suitable for the speed of the tool.
19. Some material contains chemicals which may be toxic. Take caution to prevent dust inhalation and skin contact. Follow material supplier safety data.
20. Always use the correct dust mask/respirator for the material and application you are working with.

SAVE THESE INSTRUCTIONS.

⚠ WARNING: DO NOT let comfort or familiarity with product (gained from repeated use) replace strict adherence to safety rules for the subject product. MISUSE or failure to follow the safety rules stated in this instruction manual may cause serious personal injury.

Important safety instructions for battery cartridge

1. Before using battery cartridge, read all instructions and cautionary markings on (1) battery charger, (2) battery, and (3) product using battery.
2. Do not disassemble or tamper with the battery cartridge. It may result in a fire, excessive heat, or explosion.
3. If operating time has become excessively shorter, stop operating immediately. It may result in a risk of overheating, possible burns and even an explosion.
4. If electrolyte gets into your eyes, rinse them out with clear water and seek medical attention right away. It may result in loss of your eyesight.
5. Do not short the battery cartridge:
 - (1) Do not touch the terminals with any conductive material.
 - (2) Avoid storing battery cartridge in a container with other metal objects such as nails, coins, etc.
 - (3) Do not expose battery cartridge to water or rain.A battery short can cause a large current flow, overheating, possible burns and even a breakdown.
6. Do not store and use the tool and battery cartridge in locations where the temperature may reach or exceed 50 °C (122 °F).
7. Do not incinerate the battery cartridge even if it is severely damaged or is completely worn out. The battery cartridge can explode in a fire.
8. Do not nail, cut, crush, throw, drop the battery cartridge, or hit against a hard object to the battery cartridge. Such conduct may result in a fire, excessive heat, or explosion.
9. Do not use a damaged battery.
10. The contained lithium-ion batteries are subject to the Dangerous Goods Legislation requirements.

For commercial transports e.g. by third parties, forwarding agents, special requirement on packaging and labeling must be observed.
For preparation of the item being shipped, consulting an expert for hazardous material is required. Please also observe possibly more detailed national regulations.
Tape or mask off open contacts and pack up the battery in such a manner that it cannot move around in the packaging.
11. When disposing the battery cartridge, remove it from the tool and dispose of it in a safe place. Follow your local regulations relating to disposal of battery.
12. Use the batteries only with the products specified by Makita. Installing the batteries to non-compliant products may result in a fire, excessive heat, explosion, or leak of electrolyte.

13. If the tool is not used for a long period of time, the battery must be removed from the tool.
14. During and after use, the battery cartridge may take on heat which can cause burns or low temperature burns. Pay attention to the handling of hot battery cartridges.
15. Do not touch the terminal of the tool immediately after use as it may get hot enough to cause burns.
16. Do not allow chips, dust, or soil stuck into the terminals, holes, and grooves of the battery cartridge. It may cause heating, catching fire, burst and malfunction of the tool or battery cartridge, resulting in burns or personal injury.
17. Unless the tool supports the use near high-voltage electrical power lines, do not use the battery cartridge near high-voltage electrical power lines. It may result in a malfunction or breakdown of the tool or battery cartridge.
18. Keep the battery away from children.

SAVE THESE INSTRUCTIONS.

CAUTION: Only use genuine Makita batteries. Use of non-genuine Makita batteries, or batteries that have been altered, may result in the battery bursting causing fires, personal injury and damage. It will also void the Makita warranty for the Makita tool and charger.

Tips for maintaining maximum battery life

1. Charge the battery cartridge before completely discharged. Always stop tool operation and charge the battery cartridge when you notice less tool power.
2. Never recharge a fully charged battery cartridge. Overcharging shortens the battery service life.
3. Charge the battery cartridge with room temperature at 10 °C - 40 °C (50 °F - 104 °F). Let a hot battery cartridge cool down before charging it.
4. When not using the battery cartridge, remove it from the tool or the charger.
5. Charge the battery cartridge if you do not use it for a long period (more than six months).

FUNCTIONAL DESCRIPTION

CAUTION: Always be sure that the tool is switched off and the battery cartridge is removed before adjusting or checking function on the tool.

Installing or removing battery cartridge

CAUTION: Always switch off the tool before installing or removing of the battery cartridge.

CAUTION: Hold the tool and the battery cartridge firmly when installing or removing battery cartridge. Failure to hold the tool and the battery cartridge firmly may cause them to slip off your hands and result in damage to the tool and battery cartridge and a personal injury.

To install the battery cartridge, align the tongue on the battery cartridge with the groove in the housing and slip it into place. Insert it all the way until it locks in place with a little click. If you can see the red indicator as shown in the figure, it is not locked completely.

To remove the battery cartridge, slide it from the tool while sliding the button on the front of the cartridge.

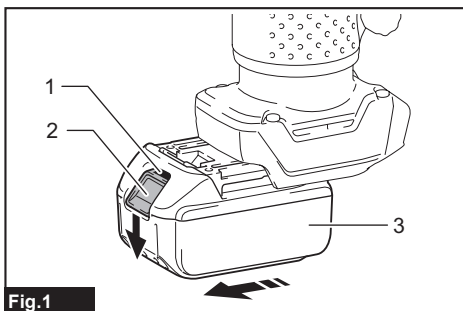


Fig.1

► 1. Red indicator 2. Button 3. Battery cartridge

CAUTION: Always install the battery cartridge fully until the red indicator cannot be seen. If not, it may accidentally fall out of the tool, causing injury to you or someone around you.

CAUTION: Do not install the battery cartridge forcibly. If the cartridge does not slide in easily, it is not being inserted correctly.

Indicating the remaining battery capacity

Only for battery cartridges with the indicator

Press the check button on the battery cartridge to indicate the remaining battery capacity. The indicator lamps light up for a few seconds.

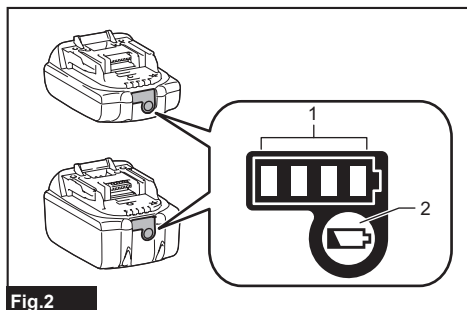


Fig.2

► 1. Indicator lamps 2. Check button

Indicator lamps			Remaining capacity
Lighted	Off	Blinking	
■	□	▬	75% to 100%
■ ■ ■ ■	□ □ □ □		
■ ■ ■ ■	□ □ □ □		50% to 75%
■ ■ ■ ■	□ □ □ □		25% to 50%
■ ■ ■ ■	□ □ □ □		0% to 25%
▬	□ □ □ □		Charge the battery.
■ ■ ■ ■	□ □ □ □		The battery may have malfunctioned.
□ □ □ □	■ ■ ■ ■	↑ ↓	

NOTE: Depending on the conditions of use and the ambient temperature, the indication may differ slightly from the actual capacity.

NOTE: The first (far left) indicator lamp will blink when the battery protection system works.

Tool / battery protection system

The tool is equipped with a tool/battery protection system. This system automatically cuts off power to the motor to extend tool and battery life. The tool will automatically stop during operation if the tool or battery is placed under one of the following conditions:

Overload protection

When the battery is operated in a manner that causes it to draw an abnormally high current, the tool automatically stops without any indication. In this situation, turn the tool off and stop the application that caused the tool to become overloaded. Then turn the tool on to restart.

Overheat protection

When the tool/battery is overheated, the tool stops automatically. In this situation, let the tool cool down before turning the tool on again.

NOTE: When the tool is overheated, the indication lamp blinks.

Overdischarge protection

When the battery capacity is not enough, the tool stops automatically. In this case, remove the battery from the tool and charge the battery.

Protections against other causes

Protection system is also designed for other causes that could damage the tool and allows the tool to stop automatically. Take all the following steps to clear the causes, when the tool has been brought to a temporary halt or stop in operation.

1. Turn the tool off, and then turn it on again to restart.
2. Charge the battery(ies) or replace it/them with recharged battery(ies).
3. Let the tool and battery(ies) cool down.

If no improvement can be found by restoring protection system, then contact your local Makita Service Center.

Switch action

To turn on the tool, press the lock/unlock button. The tool turns into the standby mode. To start the tool, press the start/stop button in the standby mode. To stop the tool, press the start/stop button again. The tool turns into the standby mode. To turn off the tool, press the lock/unlock button in the standby mode.

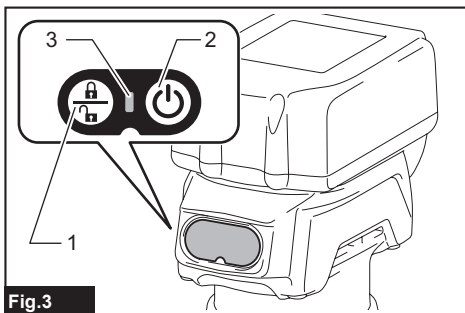


Fig.3

► 1. Lock/unlock button 2. Start/stop button
3. Indication lamp

NOTE: If the tool is left for 10 seconds without any operation in the standby mode, the tool automatically turns off and the indication lamp goes off.

NOTE: You can also stop and turn off the tool by pressing the lock/unlock button while the tool is operating.

Electronic function

The tool is equipped with the electronic functions for easy operation.

Indication lamp

The indication lamp lights up green when the tool is the standby mode.

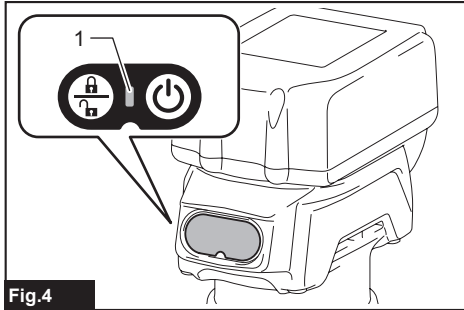


Fig.4

- 1. Indication lamp

NOTICE: When the tool is overheated, the indication lamp blinks. Cool down the tool fully before operating the tool again.

Soft start

The soft-start function minimizes start-up shock, and makes the tool start smoothly.

Adjusting trimmer bit protrusion

To adjust the bit protrusion, loosen the thumb nut and move the base up or down as desired by turning the adjusting screw. After adjusting, tighten the thumb nut firmly to secure the base.

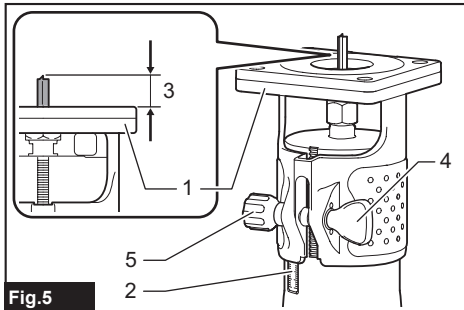


Fig.5

- 1. Base 2. Scale 3. Bit protrusion 4. Thumb nut 5. Adjusting screw

ASSEMBLY

CAUTION: Always be sure that the tool is switched off and the battery cartridge is removed before carrying out any work on the tool.

Installing or removing trimmer bit

CAUTION: Do not tighten the collet nut without inserting a trimmer bit, or the collet cone may break.

CAUTION: Use only the wrenches provided with the tool.

Insert the trimmer bit all the way into the collet cone and tighten the collet nut securely with the two wrenches. To remove the bit, follow the installation procedure in reverse.

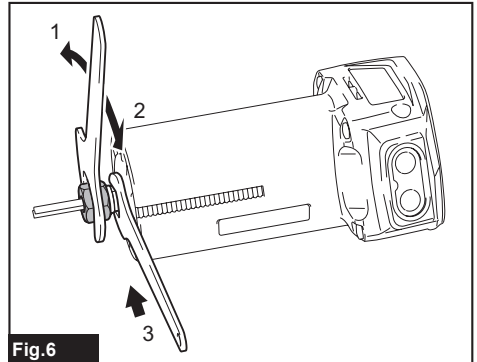


Fig.6

- 1. Loosen 2. Tighten 3. Hold

Changing the collet cone

CAUTION: Use the correct size collet cone for the trimmer bit which you intended to use.

CAUTION: Do not tighten the collet nut without installing a trimmer bit, or the collet cone may break.

1. Loosen the collet nut and remove.
2. Replace the installed collet cone with desired collet cone.
3. Reinstall collet nut.

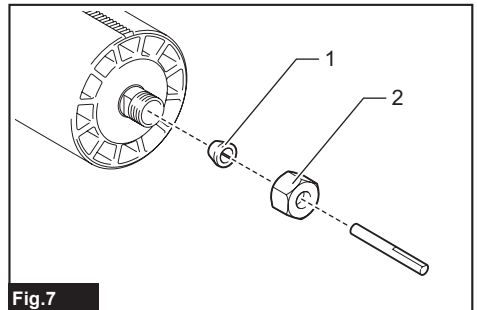


Fig.7

- 1. Collet cone 2. Collet nut

Installing or removing the trimmer base

1. Loosen the thumb nut of the trimmer base, and then insert the tool into the trimmer base aligning the rack on the tool with the spur gear on the trimmer base.
2. Tighten the thumb nut.

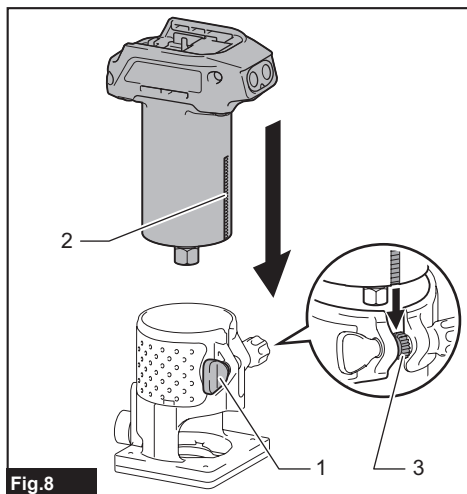


Fig.8

- 1. Thumb nut 2. Rack 3. Spur gear

To remove the base, follow the installation procedure in reverse.

OPERATION

CAUTION: Always hold the tool firmly with one hand on housing. Do not touch the metal part.

1. Set the base on the workpiece to be cut without the trimmer bit making any contact.
2. Turn the tool on and wait until the trimmer bit attains full speed.
3. Move the tool forward over the workpiece surface, keeping the base flush and advancing smoothly until the cutting is complete.

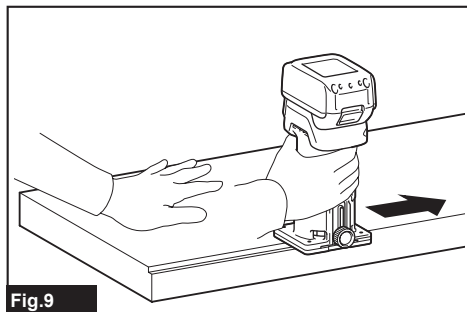


Fig.9

When doing edge cutting, the workpiece surface should be on the left side of the trimmer bit in the feed direction.

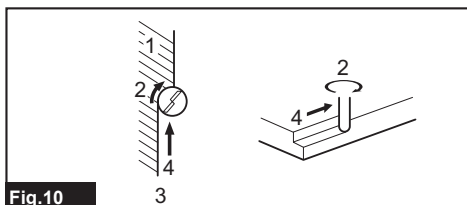


Fig.10

- 1. Workpiece 2. Bit revolving direction 3. View from the top of the tool 4. Feed direction

When using the straight guide or the trimmer guide, be sure to keep it on the right side in the feed direction. This will help to keep it flush with the side of the workpiece.

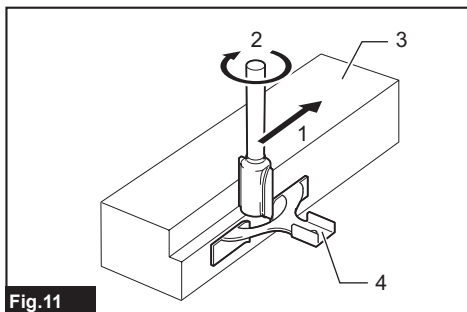


Fig.11

- 1. Feed direction 2. Bit revolving direction 3. Workpiece 4. Straight guide

NOTE: Moving the tool forward too fast may cause a poor quality of cut, or damage to the trimmer bit or motor. Moving the tool forward too slowly may burn and mar the cut.

The proper feed rate will depend on the bit size, the kind of workpiece and depth of cut.

Before beginning the cut on the actual workpiece, make a sample cut on a piece of scrap lumber to consider the appropriate feed speed.

You can also confirm the trimmer bit setting by measuring the sample cut.

Templet guide

The templet guide provides a sleeve through which the trimmer bit passes, allowing use of the trimmer with templet patterns.

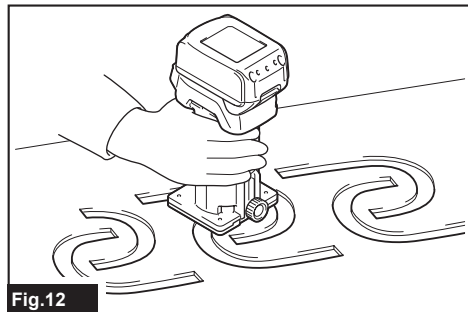


Fig.12

1. Loosen the clamping screw and then remove the guide holder and the chip deflector.

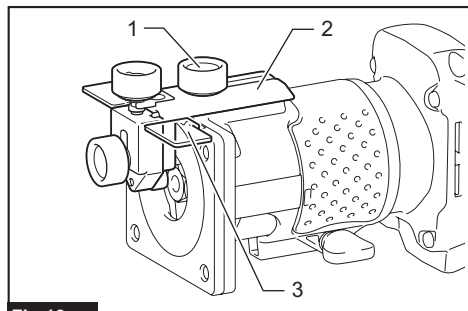


Fig.13

1. Clamping screw 2. Guide holder 3. Chip deflector

2. Loosen the screws and remove the base protector.

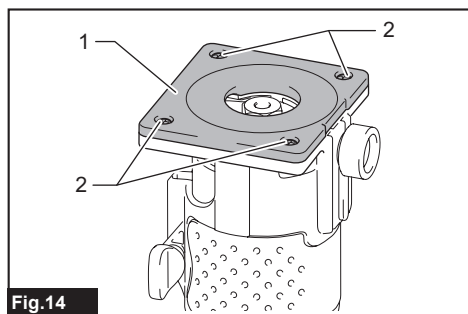


Fig.14

1. Base protector 2. Screws

3. Place the templet guide on the base, and place the base protector again. Then secure the base protector by tightening the screws.

4. Secure the templet to the workpiece. Place the tool on the templet and move the tool with the templet guide sliding along the side of the templet.

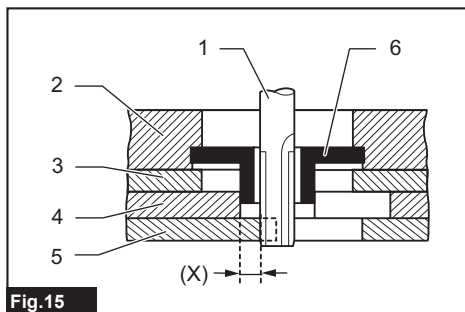


Fig.15

1. Trimmer bit 2. Base 3. Base protector 4. Templet 5. Workpiece 6. Templet guide

NOTE: The workpiece will be cut a slightly different size from the templet. Allow for the distance (X) between the trimmer bit and the outside of the templet guide. The distance (X) can be calculated by using the following equation:

$$\text{Distance (X)} = (\text{outside diameter of the templet guide} - \text{trimmer bit diameter}) / 2$$

Straight guide

The straight guide is effectively used for straight cuts when chamfering.

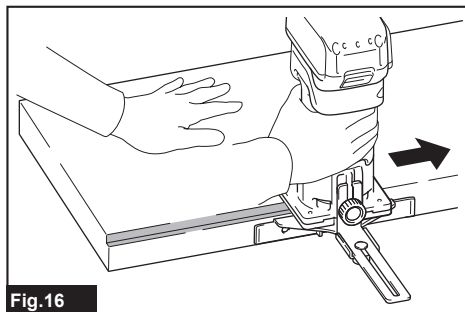


Fig.16

1. Attach the guide plate to the straight guide with the bolt and the wing nut.

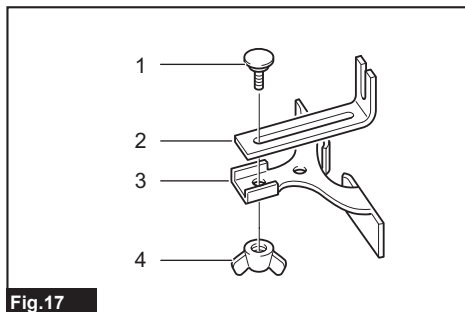


Fig.17

1. Bolt 2. Guide plate 3. Straight guide 4. Wing nut

- Remove the guide holder and the chip deflector then attach the straight guide with the clamping screw.

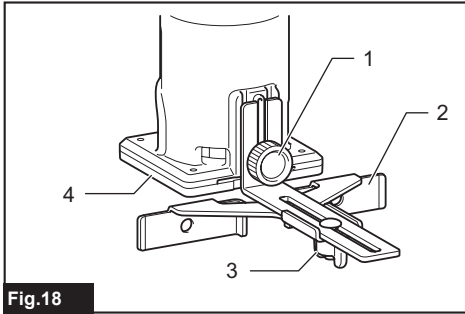


Fig.18

- 1. Clamping screw 2. Straight guide 3. Wing nut
4. Base

- Loosen the wing nut on the straight guide and adjust the distance between the trimmer bit and the straight guide. At the desired distance, tighten the wing nut securely.
- When cutting, move the tool with the straight guide flush with the side of the workpiece.

- Loosen the clamping screw (B) and adjust the distance between the trimmer bit and the trimmer guide by turning the adjusting screw (1 mm per turn). At the desired distance, tighten the clamping screw (B) to secure the trimmer guide in place.

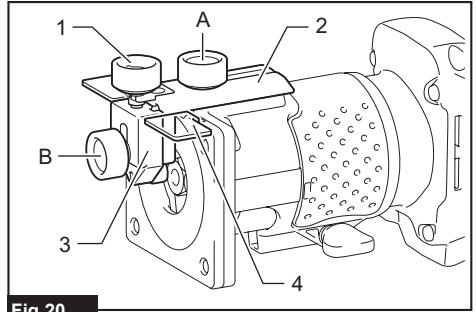


Fig.20

- 1. Adjusting screw 2. Guide holder 3. Trimmer guide
4. Chip deflector

- When cutting, move the tool with the guide roller riding the side of the workpiece.

Trimmer guide

Trimming, curved cuts in veneers for furniture and the like can be done easily with the trimmer guide. The guide roller rides the curve and assures a fine cut.

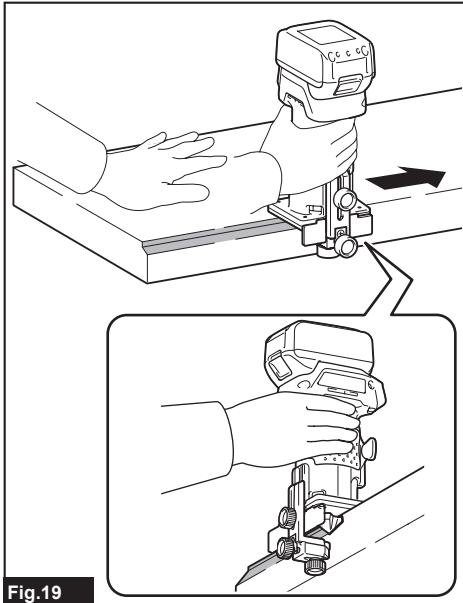


Fig.19

- Attach the chip deflector on the groove of the base.
- Install the trimmer guide and guide holder on the base with the clamping screw (A).

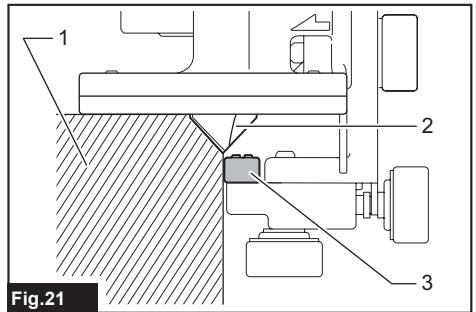


Fig.21

- 1. Workpiece 2. Trimmer bit 3. Guide roller

OPERATION OF OPTIONAL ACCESSORY

Tilt base

Optional accessory

The tilt base is convenient for chamfering.

Installing or removing the tilt base

- Loosen the thumb nut of the tilt base, and then insert the tool into the tilt base aligning the rack on the tool with the spur gear on the tilt base.

2. Tighten the thumb nut.

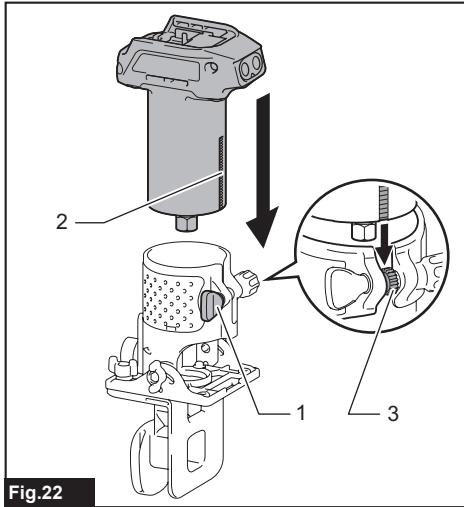


Fig.22

- 1. Thumb nut 2. Rack 3. Spur gear

To remove the base, follow the installation procedure in reverse.

Installing trimmer shoe (after it has been removed from the tilt base)

Use the bolts, wing nuts and flat washers to install the trimmer shoe as shown in the figure.

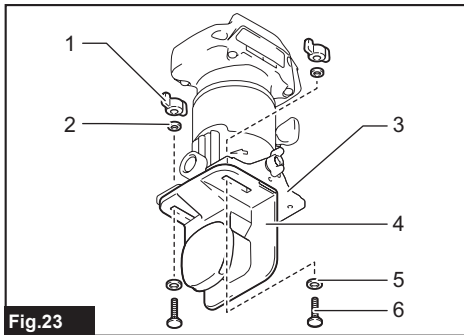


Fig.23

- 1. Wing nut 2. Flat washer (outer diameter 12 mm) 3. Base 4. Trimmer shoe 5. Flat washer (outer diameter 14 mm) 6. Bolt

NOTE: The trimmer shoe is factory installed on the tilt base.

Adjusting trimmer bit protrusion

To adjust the bit protrusion, loosen the thumb nut and move the base up or down as desired by turning the adjusting screw. After adjusting, tighten the thumb nut firmly to secure the base.

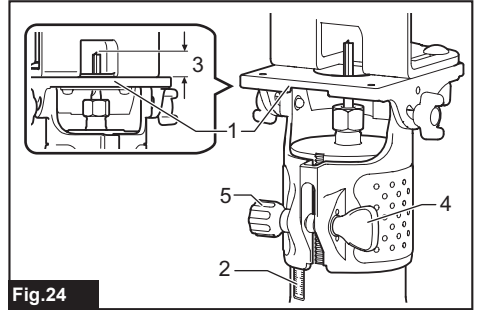


Fig.24

- 1. Base 2. Scale 3. Bit protrusion 4. Thumb nut 5. Adjusting screw

Adjusting angle of base

Loosen the wing bolts and adjust the angle of the base (5° per graduation) to obtain the desired cutting angle.

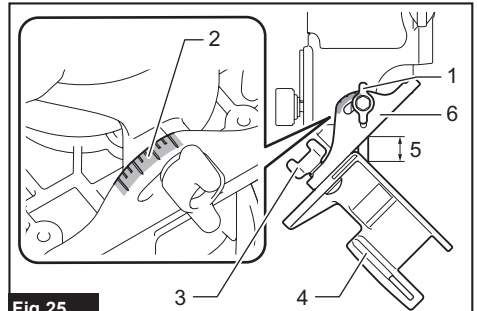


Fig.25

- 1. Wing bolt 2. Graduation 3. Wing nut 4. Trimmer shoe 5. Amount of chamfering 6. Base

Adjusting amount of chamfering

CAUTION: Turn off the tool, loosen the collet nut on the tool to be sure that the trimmer bit turns freely and does not contact the base or trimmer shoe in any way.

To adjust the amount of chamfering, loosen the wing nuts and adjust the trimmer shoe.

Operation

1. Set the base on the workpiece to be cut without the trimmer bit making any contact.
2. Turn the tool on and wait until the trimmer bit attains full speed.

3. Move the tool backward over the workpiece surface, keeping the base and trimmer shoe flush and advancing smoothly until the cutting is complete.

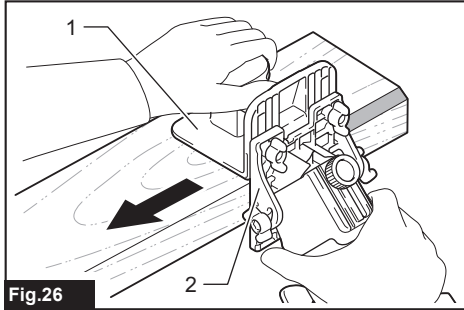


Fig.26
▶ 1. Trimmer shoe 2. Base

When doing edge cutting, the workpiece surface should be on the underside of the trimmer bit in the feed direction.

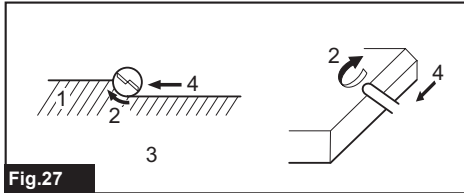


Fig.27
▶ 1. Workpiece 2. Bit revolving direction 3. View from the top of the tool 4. Feed direction

When using the trimmer shoe, straight guide or the trimmer guide, be sure to keep it on the right side in the feed direction. This will help to keep it flush with the side of the workpiece.

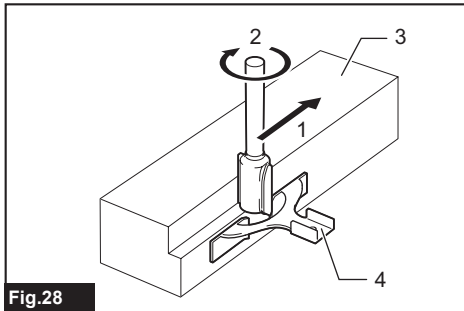


Fig.28
▶ 1. Feed direction 2. Bit revolving direction
3. Workpiece 4. Straight guide

NOTE: Moving the tool forward too fast may cause a poor quality of cut, or damage to the trimmer bit or motor. Moving the tool forward too slowly may burn and mar the cut.

The proper feed rate will depend on the bit size, the kind of workpiece and depth of cut.

Before beginning the cut on the actual workpiece, make a sample cut on a piece of scrap lumber to consider the appropriate feed speed.

You can also confirm the trimmer bit setting by measuring the sample cut.

Templet guide

The templet guide provides a sleeve through which the trimmer bit passes, allowing use of the trimmer with templet patterns.

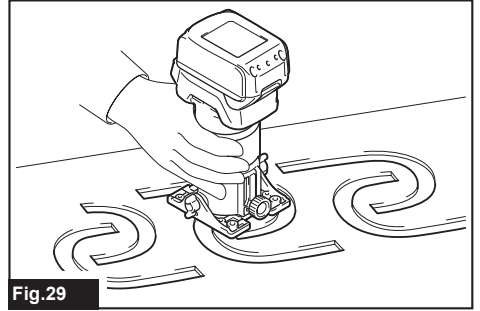


Fig.29
1. Remove the tilt base from the tool, and remove the trimmer shoe from the tilt base.

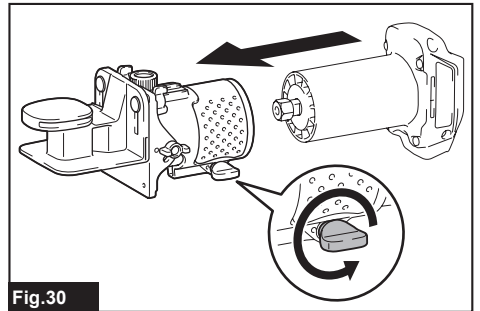


Fig.30
2. Loosen the wing bolts and secure the base horizontally. Loosen the two screws on the base using a screwdriver.

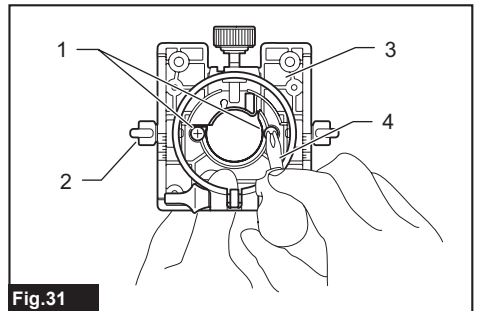


Fig.31
▶ 1. Screws 2. Wing bolt 3. Base 4. Screwdriver

- Place the templet guide on the base. There are four convex portions on the templet guide. Secure two of the four convex portions using the two screws. Install the base on the tool.

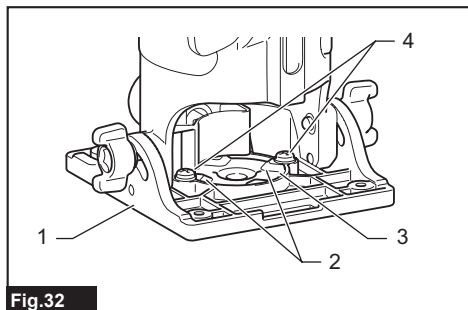


Fig.32

- Base
- Convex portions
- Templet guide
- Screws

- Secure the templet to the workpiece. Place the tool on the templet and move the tool with the templet guide sliding along the side of the templet.

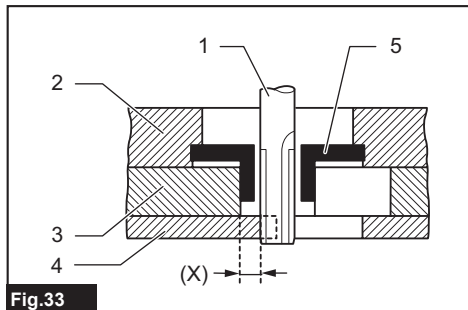


Fig.33

- Trimmer bit
- Base
- Templet
- Workpiece
- Templet guide

NOTE: The workpiece will be cut a slightly different size from the templet. Allow for the distance (X) between the trimmer bit and the outside of the templet guide. The distance (X) can be calculated by using the following equation:

$$\text{Distance (X)} = (\text{outside diameter of the templet guide} - \text{trimmer bit diameter}) / 2$$

Straight guide

The straight guide is effectively used for straight cuts when chamfering.

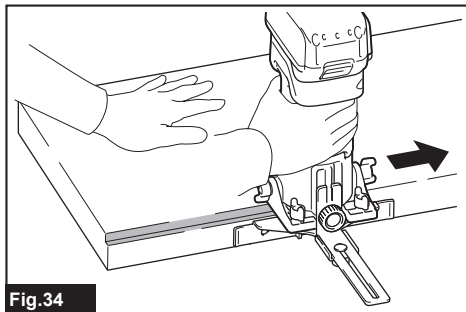


Fig.34

- Attach the guide plate to the straight guide with the bolt and the wing nut.

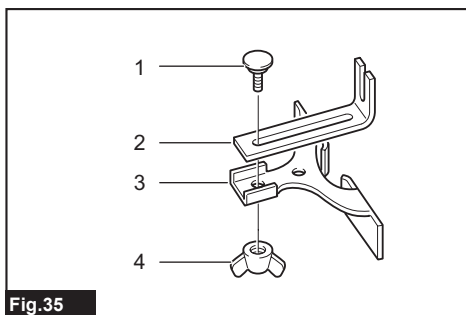


Fig.35

- Bolt
- Guide plate
- Straight guide
- Wing nut

- Remove the trimmer shoe from the tilt base. Loosen the wing bolts, secure the base horizontally, and then attach the straight guide with the clamping screw.

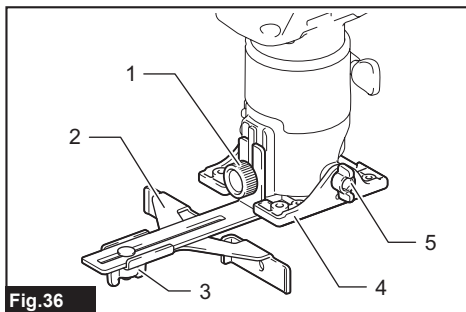


Fig.36

- Clamping screw
- Straight guide
- Wing nut
- Base
- Wing bolt

- Loosen the wing nut on the straight guide and adjust the distance between the trimmer bit and the straight guide. At the desired distance, tighten the wing nut securely.

- When cutting, move the tool with the straight guide flush with the side of the workpiece.

Trimmer guide

Trimming, curved cuts in veneers for furniture and the like can be done easily with the trimmer guide. The guide roller rides the curve and assures a fine cut.

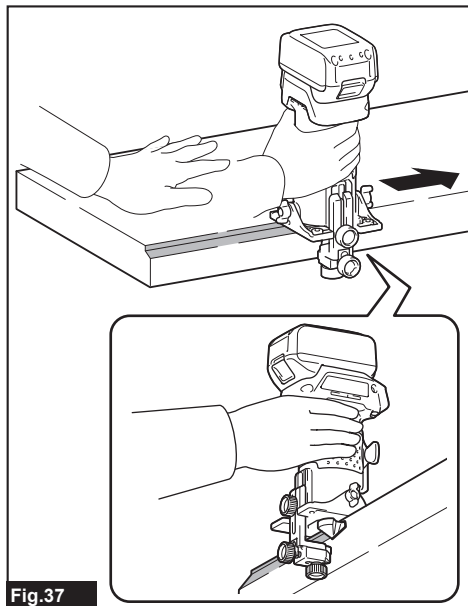


Fig.37

1. Remove the trimmer shoe from the tilt base. Loosen the wing bolts and secure the base horizontally.
2. Install the trimmer guide and guide holder on the base with the clamping screw (A).
3. Loosen the clamping screw (B) and adjust the distance between the trimmer bit and the trimmer guide by turning the adjusting screw (1 mm per turn). At the desired distance, tighten the clamping screw (B) to secure the trimmer guide in place.

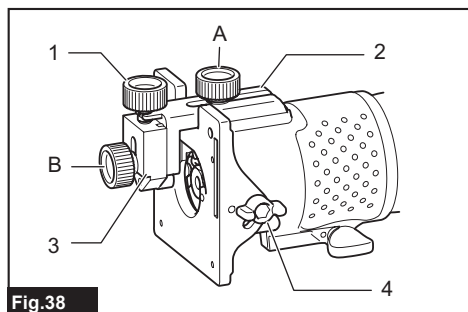


Fig.38

- 1. Adjusting screw 2. Guide holder 3. Trimmer guide 4. Wing bolt

4. When cutting, move the tool with the guide roller riding the side of the workpiece.

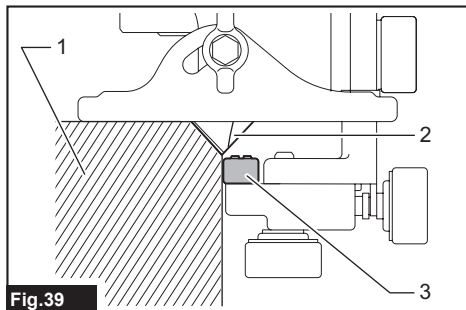


Fig.39

- 1. Workpiece 2. Trimmer bit 3. Guide roller

MAINTENANCE

CAUTION: Always be sure that the tool is switched off and the battery cartridge is removed before attempting to perform inspection or maintenance.

NOTICE: Never use gasoline, benzine, thinner, alcohol or the like. Discoloration, deformation or cracks may result.

To maintain product SAFETY and RELIABILITY, repairs, any other maintenance or adjustment should be performed by Makita Authorized or Factory Service Centers, always using Makita replacement parts.

TRIMMER BITS

Optional accessory

Straight bit

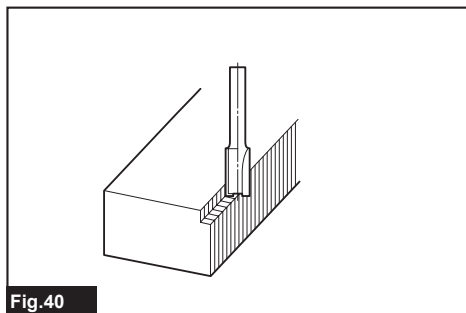


Fig.40

U-grooving bit

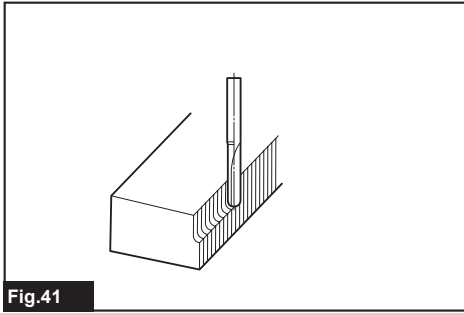


Fig.41

Corner rounding bit

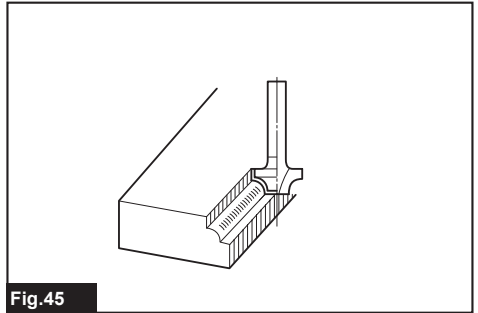


Fig.45

V-grooving bit

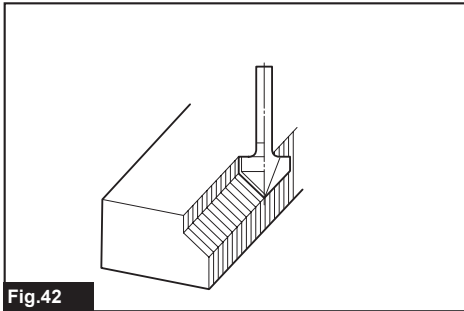


Fig.42

Chamfering bit

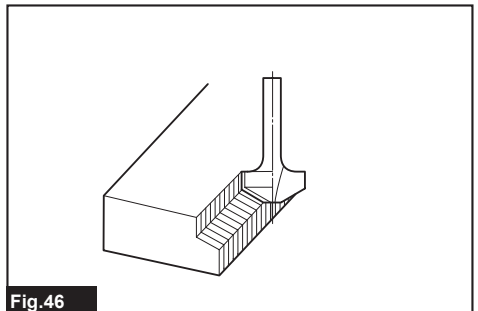


Fig.46

Drill point flush trimming bit

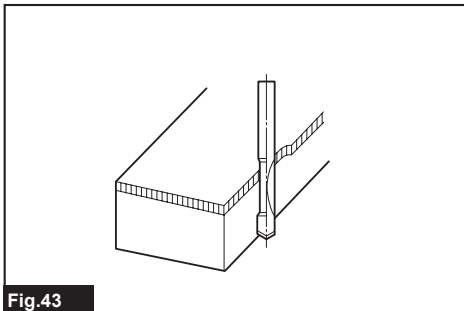


Fig.43

Cove beading bit

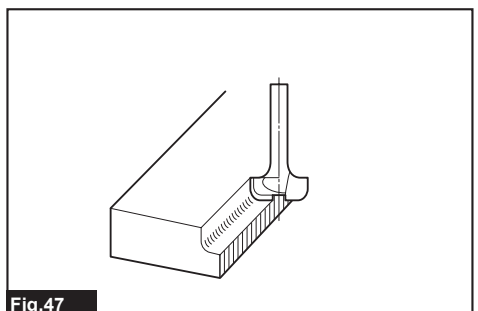


Fig.47

Drill point double flush trimming bit

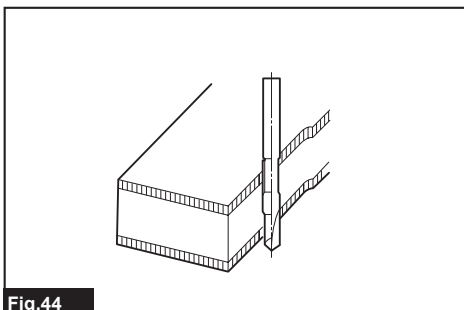


Fig.44

Ball bearing flush trimming bit

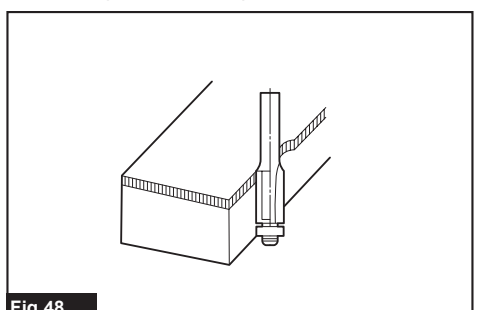


Fig.48

Ball bearing beading bit

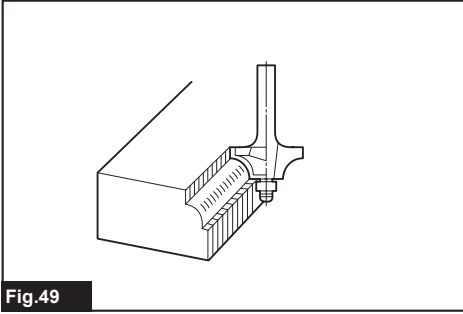


Fig.49

Ball bearing roman ogee bit

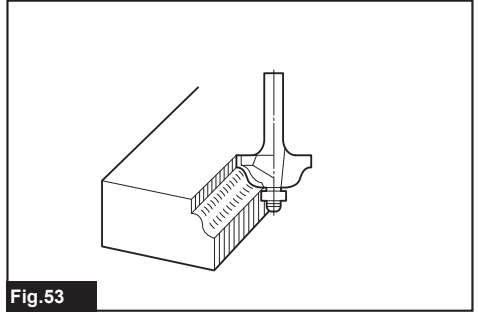


Fig.53

Ball bearing corner rounding bit

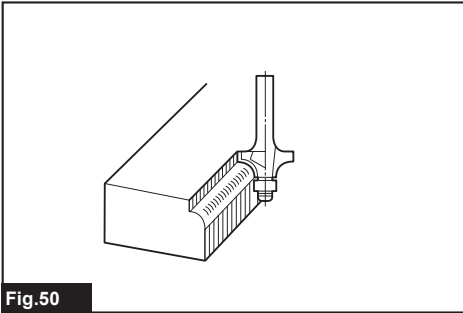


Fig.50

OPTIONAL ACCESSORIES

CAUTION: These accessories or attachments are recommended for use with your Makita tool specified in this manual. The use of any other accessories or attachments might present a risk of injury to persons. Only use accessory or attachment for its stated purpose.

If you need any assistance for more details regarding these accessories, ask your local Makita Service Center.

Ball bearing chamfering bit

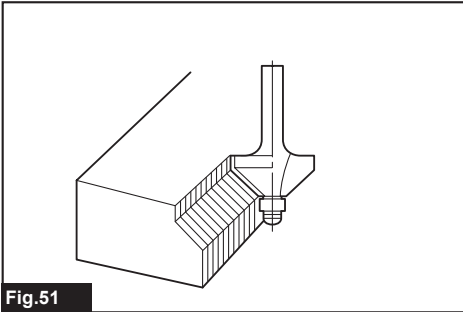


Fig.51

- Straight and groove forming bits
- Edge forming bits
- Laminate trimming bits
- Straight guide assembly
- Trimmer guide assembly
- Trimmer base assembly
- Tilt base assembly
- Templet guide
- Collet cone
- Wrench 10
- Wrench 17
- Chip deflector
- Makita genuine battery and charger

Ball bearing cove beading bit

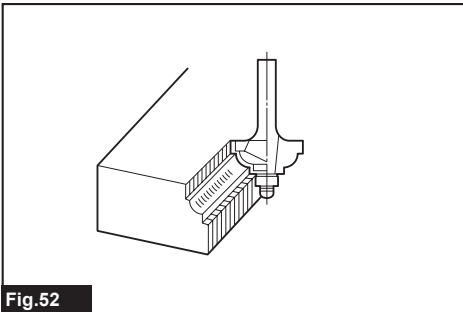


Fig.52

NOTE: Some items in the list may be included in the tool package as standard accessories. They may differ from country to country.

Makita Europe N.V.

Jan-Baptist Vinkstraat 2, 3070 Kortenberg, Belgium

Makita Corporation

3-11-8, Sumiyoshi-cho, Anjo, Aichi 446-8502 Japan

www.makita.com



885A67-229 EN 20240129
