



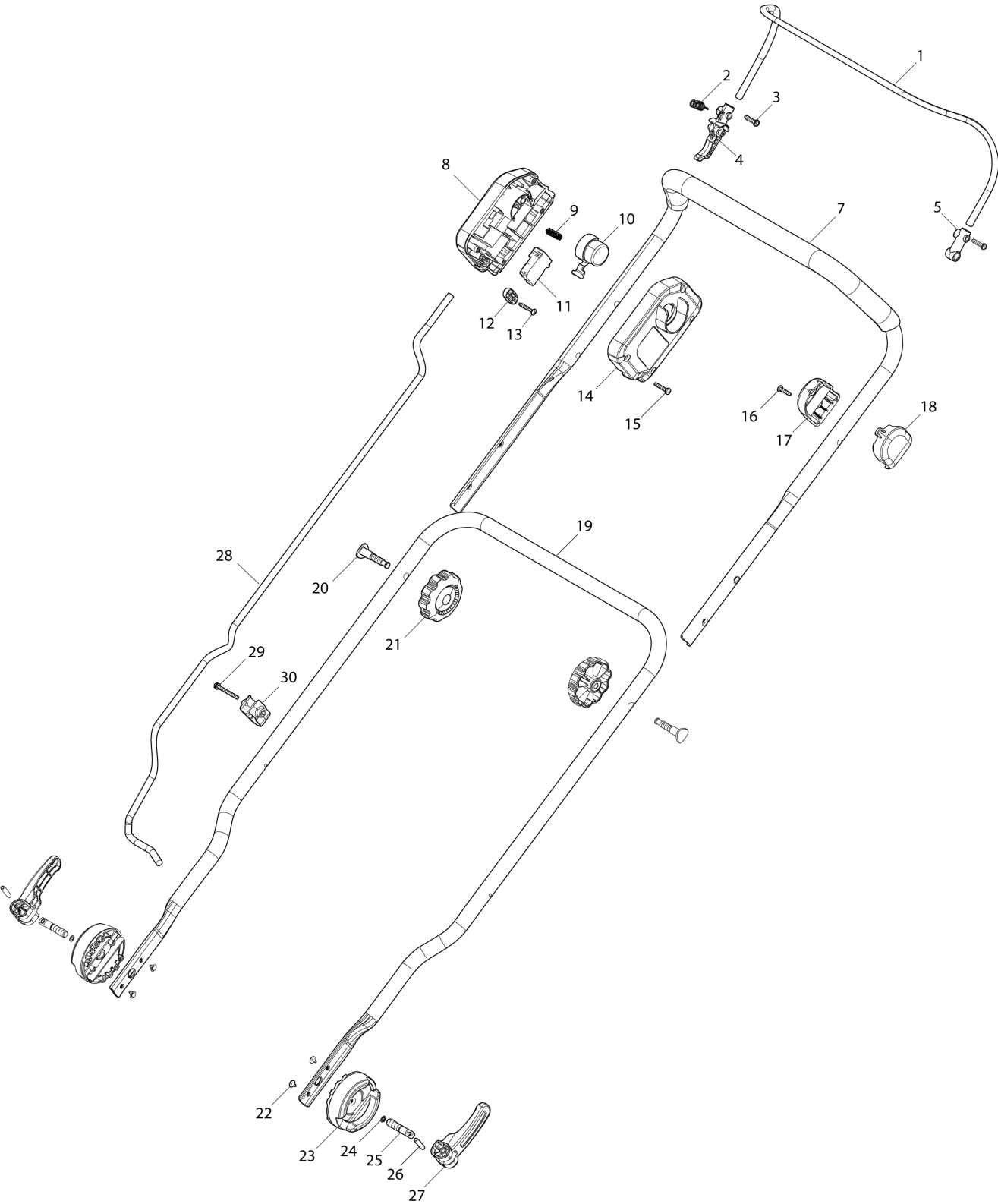
# Diagram / Parts List

**LM003G**

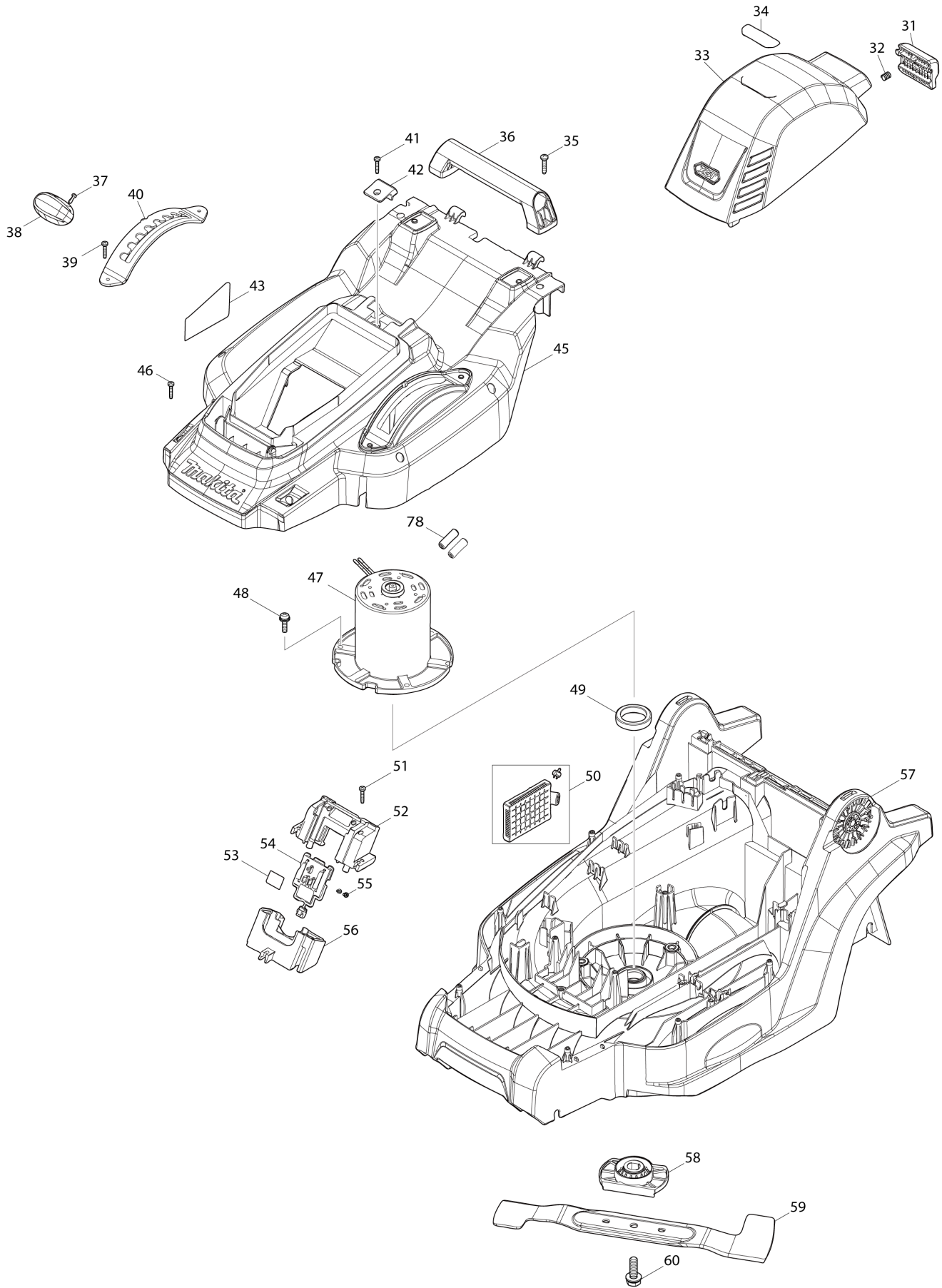
**380MM CORDLESS LAWN MOWER**



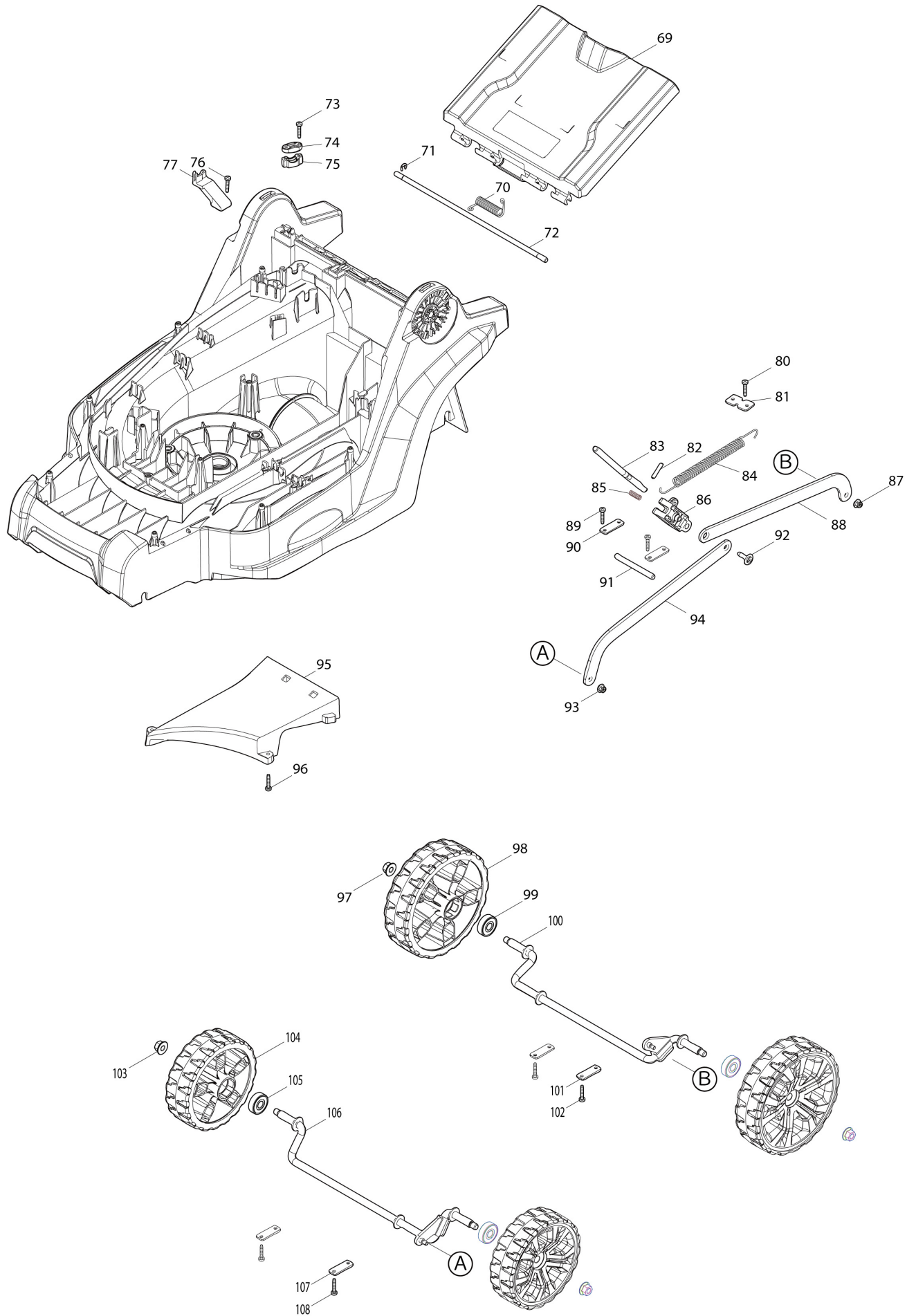
(IN) LM003G / 380MM CORDLESS LAWN MOWER



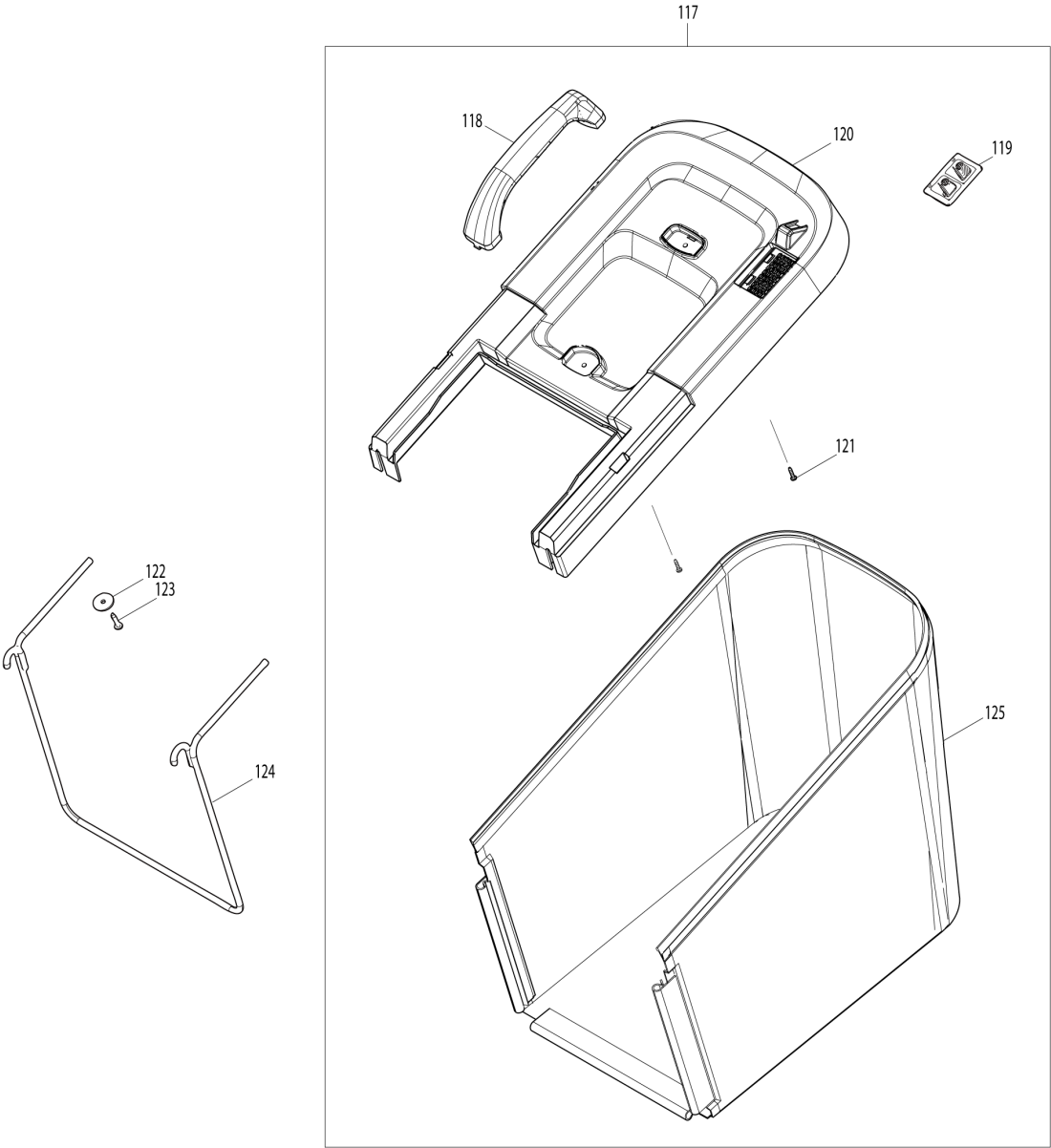
(IN) LM003G / 380MM CORDLESS LAWN MOWER



(IN) LM003G / 380MM CORDLESS LAWN MOWER



(IN) LM003G / 380MM CORDLESS LAWN MOWER



<b>IN</b>	<b>INDIA</b>
-----------	--------------

## LM003G / 380MM CORDLESS LAWN MOWER

Item	Sub	Parts No.	Parts Description	Qty	I/C	E/C No.	Close No.	Remark
001		327C33-1	SWITCH LEVER	1				
002		232814-1	TENSION SPRING 7	1				
003		911138-5	P.H.SCREW M4X20 WITH WR	2				
004		455075-8	LEVER	1				
005		455078-2	ARM	1				
007		141T11-7	UPPER PIPE COMPLETE	1				
008		1830C3-1	SWITCH BOX SET	1				
	C10	8053U7-4	INDICATION LABEL	1				
	D10		INC. 14					
009		233068-3	COMPRESSION SPRING 6	1				
010		455074-0	SWITCH BUTTON	1				
011		650041-2	SWITCH TG772BDS-1	1				
012		687124-5	STRAIN RELIEF	1				
013		265999-8	TAPPING SCREW 4X25	2				
014		1830C3-1	SWITCH BOX SET	1				
	C10	8053U7-4	INDICATION LABEL	1				
	D10		INC. 8					
015		266424-2	TAPPING SCREW 4X20	4				
016		266326-2	TAPPING SCREW 4X18	1				
017		456352-1	SWITCH LEVER CASE COVER	1				
018		456351-3	SWITCH LEVER CASE	1				
019		327C30-7	LOWER PIPE	1				
020		265C08-1	FLAT HEAD BOLT M8X50	2				
021		265C06-5	THUMB NUT M8	2				
022		265B81-5	TAPPING SCREW FLANGE 3X6	4				
023		413T46-1	SUPPORT	2				
024		213877-6	O-RING 6	2				
025		327C36-5	LOCK PIN	2				
026		951119-7	SPRING PIN 4-24	2				
027		413T47-9	LEVER	2				
028		699231-2	POWER SUPPLY CORD UNI	1				
029		911163-6	PAN HEAD SCREW M4X35	1				
030		413944-9	CLAMP	1				
	C10	931102-0	HEX. NUT M4	1				
031		413B03-1	LOCK LEVER	1				
032		231037-8	COMPRESSION SPRING 7	1				
033		141T10-9	BATTERY COVER COMPLETE	1				
034		8071M8-0	INDICATION LABEL	1				
035		266459-3	TAPPING SCREW 5X25	2				
036		273675-0	GRIP A	1				
037		266816-5	+ PAN HEAD SCREW M3X12 WITH WR	2				
038		413939-2	HEIGHT ADJUST LEVER GRIP	1				
039		266424-2	TAPPING SCREW 4X20	2				
040		162C76-4	HEIGHT ADJUST PLATE	1				
041		266424-2	TAPPING SCREW 4X20	1				
042		413T52-6	HOOK	1				
043		8142A8-5	LM003G NAME PLATE	1				
045		137034-1	COWLING ASS'Y	1				
046		266424-2	TAPPING SCREW 4X20	8				
047		629C42-9	DC MOTOR	1				
048		265A53-4	+ PAN HEAD SCREW M6X22 WITH WR	3				
050		620M31-7	CONTROLLER	1				
051		266424-2	TAPPING SCREW 4X20	3				
052		1830A2-9	TERMINAL HOUSING SET	1				
	C10	263005-3	RUBBER PIN 6	2				
	D10		INC. 56					
053		8142B3-2	LM003G SERIAL NO. LABEL	1				
054		632T08-2	TERMINAL UNIT	1				
055		652031-1	PAN HEAD SCREW M3X6	2				
056		1830A2-9	TERMINAL HOUSING SET	1				
	C10	263005-3	RUBBER PIN 6	2				
	D10		INC. 52					
057		413T39-8	DECK	1				
058		413T45-3	BLADE SUPPORT	1				
059		1913G8-3	BLADE 380 SET	1				

A:LM003GZ(N)  
 B:LM003GM101(H)  
 C:LM003GM103(H)

Interchange  
 O : Yes  
 X : No  
 < : the new part can be substituted for the current.  
 > : the current part can be substituted for the new.  
 S : Interchangeable as a set.

IN

INDIA

**LM003G / 380MM CORDLESS LAWN MOWER**

Item	Sub	Parts No.	Parts Description	Qty	I/C	E/C No.	Close No.	Remark
060		265A69-9	HEX. BOLT M10X35 WITH WG	1				
069		141T59-9	REAR FLAP COMPLETE	1				
	C10	8054C4-0	CAUTION LABEL	1				
070		233597-6	TORSION SPRING 8	1				
071		961018-5	STOP RING E-5	1				
072		327C37-3	ROD 6	1				
073		266424-2	TAPPING SCREW 4X20	2				
074		687124-5	STRAIN RELIEF	1				
075		687051-6	STRAIN RELIEF	1				
076		266424-2	TAPPING SCREW 4X20	1				
077		413T62-3	LED HOLDER	1				
080		266424-2	TAPPING SCREW 4X20	2				
081		347870-9	HOOK PLATE	1				
082		951119-7	SPRING PIN 4-24	1				
083		327C32-3	HEIGHT ADJUST LEVER	1				
084		232815-9	TENSION SPRING 12	1				
085		232430-9	COMPRESSION SPRING 5	1				
086		413T51-8	ROD HOLDER	1				
087		252286-4	COLLARED HEX.LOCK NUT M5-8	1				
088		347B62-2	CONNECTING ROD R	1				
089		266424-2	TAPPING SCREW 4X20	4				
090		347869-4	PLATE	2				
091		256A45-4	ROD 7	1				
092		265C05-7	TAPPING SCREW FRANGE 5X20	1				
093		252286-4	COLLARED HEX.LOCK NUT M5-8	1				
094		347B61-4	CONNECTING ROD F	1				
095		413T42-9	UNDER COVER	1				
096		266424-2	TAPPING SCREW 4X20	4				
097		252145-2	COLLARED HEX NUT M8	2				
098		413U87-3	REAR WHEEL	2				
099		210070-3	BALL BEARING 6200ZZ	2				
100		162C74-8	REAR SHAFT	1				
101		347869-4	PLATE	2				
102		266424-2	TAPPING SCREW 4X20	4				
103		252145-2	COLLARED HEX NUT M8	2				
104		413U86-5	FRONT WHEEL	2				
105		210070-3	BALL BEARING 6200ZZ	2				
106		162C73-0	FRONT SHAFT	1				
107		347869-4	PLATE	2				
108		266424-2	TAPPING SCREW 4X20	4				
117		122F55-2	REAR BAG ASSEMBLY	1				
	D10		INC. 118-121,125					
118		413T48-7	GRIP	1				
119		459806-7	INDICATOR M	1				
120		413T44-5	REAR BAG COVER	1				
121		266424-2	TAPPING SCREW 4X20	2				
122		267438-4	FLAT WASHER 5	2				
123		266424-2	TAPPING SCREW 4X20	2				
124		327C29-2	REAR BAG ROD	1				
125		162C75-6	REAR BAG	1				
A01		1913H2-2	MULCHING PLUG 380 SET	1				
A02		782210-8	SOCKET WRENCH 17	1				
A03B		412393-7	BATTERY COVER	1				
A03C		412393-7	BATTERY COVER	1				
A04B		***DC40WB	DC40WB CHARGER	1				
A04C		***DC40RC	DC40RC FAST CHARGER	1				
	D10		COMPO-PARTS					
A05B		191B31-3	BATTERY BL4040 SET	1				
A05C		191B31-3	BATTERY BL4040 SET	1				

A:LM003GZ(N)  
B:LM003GM101(H)  
C:LM003GM103(H)

Interchange

O : Yes

X : No

&lt; : the new part can be substituted for the current.

&gt; : the current part can be substituted for the new.

S : Interchangeable as a set.