

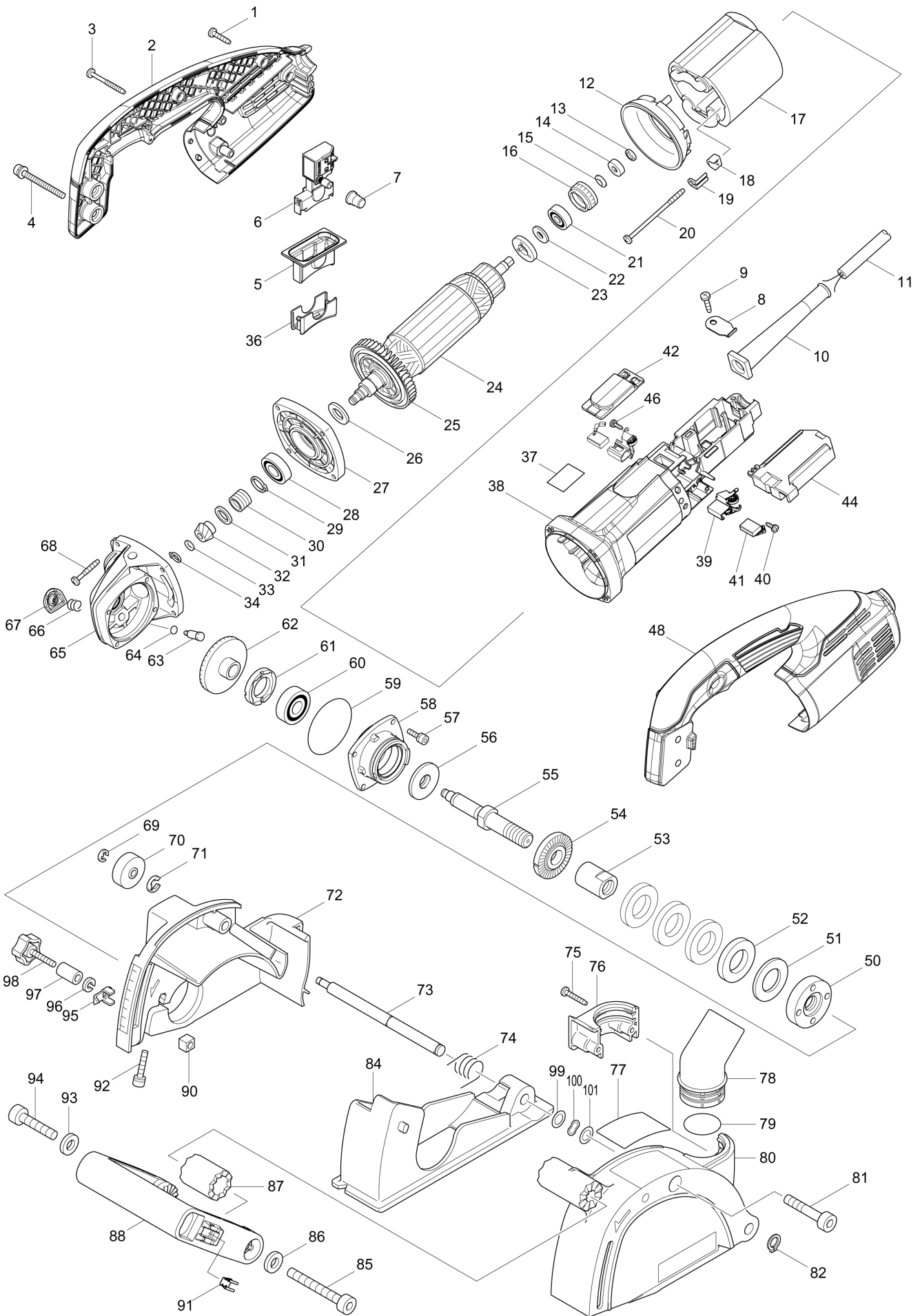
Diagram / Parts List

SG1251

125MM(5")WALL CHASER



(IN) SG1251 / 125MM(5")WALL CHASER



SG1251 / 125MM(5")WALL CHASER

Item	Sub	Parts No.	Parts Description	Qty	I/C	E/C No.	Close No.	Remark
001		265995-6	TAPPING SCREW 4X18	3				
002		187942-6	HANDLE SET	1				
	D10		INC. 48					
003		266048-4	TAPPING SCREW 4X40	3				
004		911263-2	PAN HEAD SCREW M5X40	2				
005		424457-5	DUST COVER	1				
006		650113-3	SWITCH SGEL115CDY-15	1				
007		421459-2	DUST COVER	1				
008		687169-3	STRAIN RELIEF	1				
009		266192-7	TAPPING SCREW 4X14	1				
010		682572-3	CORD GUARD 8	1				
011		666226-0	POWER SUPPLY CORD 1.5-2-5.0	1				
012		413076-2	BAFFLE PLATE	1				
013		259039-2	SELF LOCK 6	1				
014		688117-5	MAGNET SLEEVE	1				
015		267756-0	WAVE WASHER 6	1				
016		421738-8	LABYRINTH RUBBER RING 22	1				
017		626678-7	FIELD 220-240V	1				
018		417237-6	INSULATION COVER	2				
019		344871-8	RETAINER	2				
020		266258-3	TAPPING SCREW 4X70	2				
021		210027-4	BALL BEARING 627DDW	1				
022		253823-7	FLAT WASHER 7	1				
023		681656-4	INSULATION WASHER	1				
024		515208-8	ARMATURE ASS'Y 220-240V	1				
	D10		INC. 21-23,25					
025		240033-5	FAN 57	1				
026		253084-9	FLAT WASHER 12	1				
027		317359-1	GEAR HOUSING COVER	1				
028		210105-0	BALL BEARING 6001LLU	1				
029		961052-5	RETAINING RING S-12	1				
030		233901-9	LOCK SPRING 12	1				
031		253052-2	FLAT WASHER 12	1				
032		227429-7	SPIRAL BEVEL GEAR 9	1				
033		253077-6	FLAT WASHER 6	1				
034		961002-0	RETAINING RING S-6	1				
036		452942-8	SWITCH COVER	1				
037		804W32-5	SJS MARK LABEL	1				
038		455385-3	MOTOR HOUSING	1				
039		643760-7	BRUSH HOLDER	2				
040		266256-7	TAPPING SCREW PT3X10	2				
041		191978-9	A.C. CARBON BRUSH CB-318	1				
042		455386-1	MOTOR HOUSING COVER	1				
044		620336-7	CONTROLLER	1				
046		266256-7	TAPPING SCREW PT3X10	2				
048		187942-6	HANDLE SET	1				
	D10		INC. 2					
050		224577-3	LOCK NUT 14-45	1				
051		331661-8	SPACER 3	1				
052		331662-6	SPACER 6	4				
053		257732-2	SLEEVE 14	1				
054		224415-9	INNER FLANGE 42	1				
055		324393-4	SPINDLE	1				
056		415300-9	LABYRINTH RING	1				
057		265490-6	HEX. SOCKET HEAD BOLT M4X16	4				
058		318302-3	BEARING BOX	1				
059		213673-2	O RING 52	1				
060		211129-9	BALL BEARING 6201DDW	1				
061		285841-7	BEARING RETAINER	1				
062		227430-2	SPIRAL BEVEL GEAR 35	1				
063		256459-1	PIN	1				
064		213048-5	O RING 6	1				
065		153488-4	GEAR HOUSING COMPLETE	1				
066		233072-2	COMPRESSION SPRING 8	1				
067		418067-8	PIN CAP	1				

Interchange
O : Yes
X : No
< : the new part can be substituted for the current.
> : the current part can be substituted for the new.
S : Interchangeable as a set.

