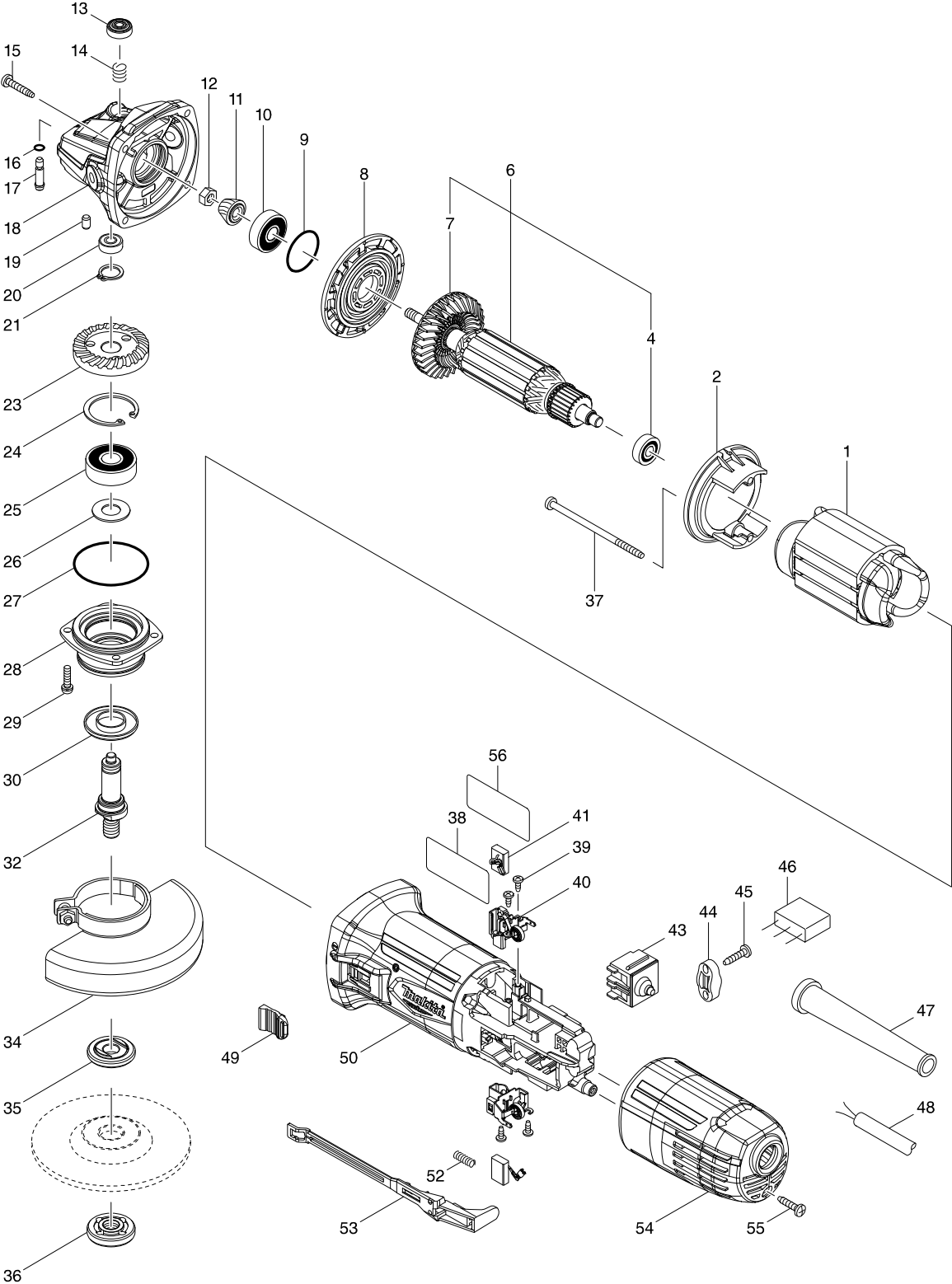


**Model No. M9509 100MM ANGLE GRINDER**



# Model No. M9509 100MM ANGLE GRINDER

Item	Parts No.	Description	I/C	Qty	N/O	Opt. 1	Opt. 2	Note
001A	628378-5	FIELD 220-240V		1		85030090		
001L	628198-7	FIELD 115V		1		85030090		
002	457137-8	BAFFLE PLATE		1		73182990		
004	210169-4	BALL BEARING 607LLB		1	*	84821090		
004-1	211021-9	BALL BEARING 607LLB	<	1		84821090		
006A	513948-2	ARMATURE ASS'Y 220-240V		1	*	85030090		
006L	513946-6	ARMATURE ASS'Y 115V		1	*	85030090		
D10		INC. 4,7			*			
006-1A	510395-8	ARMATURE ASS'Y 220-240V	<	1	*			
006-1L	510394-0	ARMATURE ASS'Y 115V	<	1	*			
D10		INC. 4,7			*			
006-2A	510443-3	ARMATURE ASS'Y 220-240V	<	1				
006-2L	510445-9	ARMATURE ASS'Y 115V	O	1				
D10		INC. 4,7						
007	240076-7	FAN 56		1		84145190		
008	457122-1	BEARING RETAINER		1		84679900		
009	213407-3	O RING 26		1	*	40169320		
009-1	213445-5	O-RING 26	O	1		40169320		
010	210084-2	BALL BEARING 629ZZ		1	*	84821090		
010-1	210042-8	BALL BEARING 629LLB	<	1		84821090		
011	221475-2	SPIRAL BEVEL GEAR 10		1		84834000		
012	252186-8	HEX. NUT M6		1		73181500		
013	419589-1	CAP		1		39269099		
014	233376-2	COMPRESSION SPRING 8		1		73209090		
015	266324-6	TAPPING SCREW 4X22		4	*	73181500		
015-1	265651-8	TAPPING SCREW 4X22	O	4				
016	213960-9	O RING 5		1		40169320		
017	268228-8	SHOULDER PIN 5		1		73182990		
018	319487-8	GEAR HOUSING		1		84679900		
019	263002-9	RUBBER PIN 4		1		40169390		
020	210033-9	BALL BEARING 696ZZ		1		84821090		
021	961052-5	RETAINING RING S-12		1		73182990		
023	221476-0	SPIRAL BEVEL GEAR 37		1		84834000		
024	257978-0	RETAINING RING(INT)R-32		1		73182990		
025	211345-3	BALL BEARING 6201DDW		1		84821090		
026	267238-2	FLAT WASHER 12		1		73182200		
027	213622-9	O RING 45		1		40169320		
028	123847-6	BEARING BOX ASSEMBLY		1		84679900		
D10		INC. 27						
029	265100-5	PAN HEAD SCREW M4X16		4		73181500		
030	345464-4	LABYRINTH RING		1		73182990		
032	326828-1	SPINDLE		1		84679900		
034	126477-2	WHEEL COVER 100M ASSEMBLY		1		84679900		
C10	911227-6	PAN HEAD SCREW M5X18		1				
035	224470-1	INNER FRANGE 30		1	*	73182990		
035-1	224491-3	INNER FLANGE 29	S	1		84679900		
036	224585-4	LOCK NUT 10-30		1	*	73181600		
036-1	224493-9	LOCK NUT 10-29	S	1		84679900		

**Model No. M9509 100MM ANGLE GRINDER**

Item	Parts No.	Description	I/C	Qty	N/O	Opt. 1	Opt. 2	Note
037	266345-8	TAPPING SCREW 4X80		2	*	73181500		
037-1	265A28-3	TAPPING SCREW 4X80	O	2				
038	852S62-6	M9509 NAME PLATE		1				
039	266492-5	TAPPING SCREW 3X8		4	*	73181500		
039-1	265954-0	TAPPING SCREW BIND PT3X8	O	4	*	73181500		
039-2	265683-5	TAPPING SCREW BIND PT 3X8	O	4				
040	643717-8	BRUSH HOLDER		2		82078000		
041	194074-2	CARBON BRUSH CB-325		1		85452000		
043	651947-7	SWITCH 1247.0302		1	*	85366990		
043-1	650621-4	SWITCH PS10	O	1		85366990		
044	687123-7	STRAIN RELIEF		1		84679900		
045	266326-2	TAPPING SCREW 4X18		2	*	73181500		
045-1	265652-6	TAPPING SCREW 4X18	O	2				
047	682583-8	CORD GUARD		1				
048A	666930-1	POWER SUPPLY CORD 0.75-2-2.0		1	*			
048L	666053-5	POWER SUPPLY CORD 1.0-2-2.0		1		85442090		
048-1A	666257-9	POWER SUPPLY CORD 0.75-2-2.0	O	1		85442090		
049	418016-5	SWITCH KNOB		1		40169390		
050	457131-0	MOTOR HOUSING		1		84679900		
052	233121-5	COMPRESSION SPRING 4		1		73209090		
053	457136-0	SWITCH LEVER		1		39269099		
054	457123-9	REAR COVER		1		84679900		
055	266326-2	TAPPING SCREW 4X18		1	*	73181500		
055-1	265652-6	TAPPING SCREW 4X18	O	1				
056	892295-7	CLEAR LABEL		1	*			
056-1	816X01-0	CLEAR LABEL	O	1				
A01	782420-7	LOCK NUT WRENCH 20		1		82041120		
A02	153489-2	GRIP 36 COMPLETE		1		40169390		