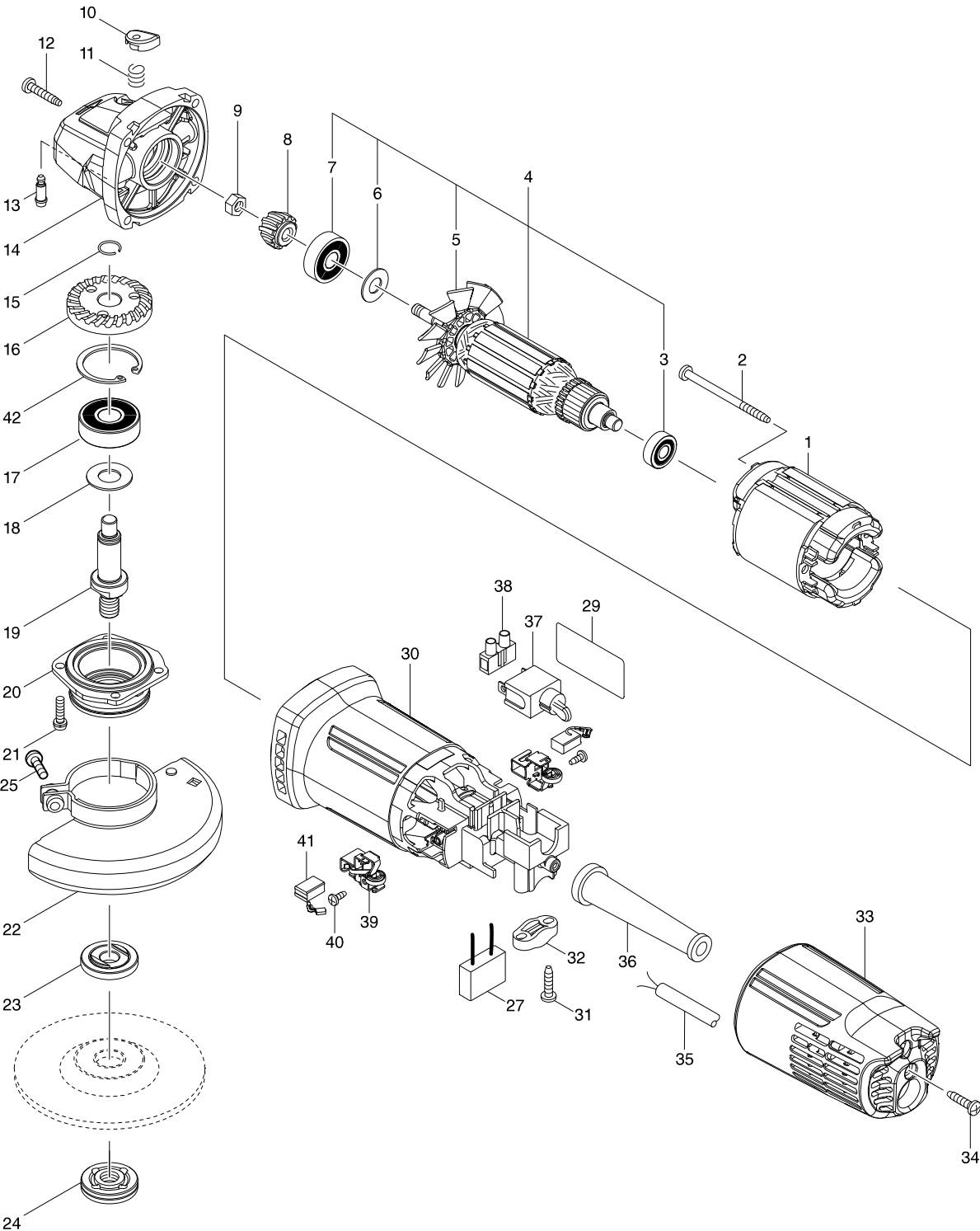


Model No. M0910 100MM ANGLE GRINDER



Model No. M0910 100MM ANGLE GRINDER

Item	Parts No.	Description	I/C	Qty	N/O	Opt. 1	Opt. 2	Note
001	633754-0	FIELD 240V		1		85030090		
002	266334-3	TAPPING SCREW 4X60		2		73181500		
003	211382-7	BALL BEARING 607ZZ		1		84821090		
004	515829-6	ARMATURE ASS'Y 240V		1		85030090		
D10		INC. 3,5-7						
005	240126-8	FAN 60		1		84145190		
006	267237-4	FLAT WASHER 9		1		73182200		
007	211381-9	BALL BEARING 629ZZ		1		84821090		
008	227579-8	SPIRAL BEVEL GEAR 13		1		84679900		
009	252186-8	HEX. NUT M6		1		73181500		
010	452502-6	PIN CAP		1		39269099		
011	233376-2	COMPRESSION SPRING 8		1		73209090		
012	266324-6	TAPPING SCREW 4X22		4		73181500		
013	256486-8	SHOULDER PIN 4		1		73182990		
014	141025-6	GEAR HOUSING COMPLETE		1		84834000		
015	961052-5	RETAINING RING S-12		1		73182990		
016	227578-0	SPIRAL BEVEL GEAR 37		1		84679900		
017	211345-3	BALL BEARING 6201DDW		1		84821090		
018	267238-2	FLAT WASHER 12		1		73182200		
019	326454-6	SPINDLE		1		84679900		
020	318695-8	BEARING BOX		1		84833000		
021	265100-5	PAN HEAD SCREW M4X16		4		73181500		
022-1	126477-2	WHEEL COVER 100M ASSEMBLY		1		84679900		
D10		INC. 25						
023	224470-1	INNER FRANGE 30		1	*	73182990		
023-1	224491-3	INNER FLANGE 29	S	1		84679900		
024	224585-4	LOCK NUT 10-30		1	*	73181600		
024-1	224493-9	LOCK NUT 10-29	S	1	*	84679900		
024-2	224610-1	LOCK NUT 10-29	O	1				
025-1	911227-6	PAN HEAD SCREW M5X18		1				
029	850Y81-2	M0910 NAME PLATE		1				
030	455966-3	MOTOR HOUSING		1		84679900		
031	266326-2	TAPPING SCREW 4X18		2		73181500		
032	687123-7	STRAIN RELIEF		1		84679900		
033	454234-1	REAR COVER		1		84679900		
034	266326-2	TAPPING SCREW 4X18		1		73181500		
035	666257-9	POWER SUPPLY CORD 0.75-2-2.0		1		85442090		
036	682569-2	CORD GUARD 8-85		1		73182990		
037	651434-6	SWITCH TN15-2		1		85366990		
039	643871-8	BRUSH HOLDER		2		82078000		
040	266492-5	TAPPING SCREW 3X8		2		73181500		
041	194722-3	CARBON BRUSH CB-459		1		85452000		
042	257978-0	RETAINING RING(INT)R-32		1		73182990		
A01	782420-7	LOCK NUT WRENCH 20		1		82041120		
A02	153489-2	GRIP 36 COMPLETE		1		40169390		