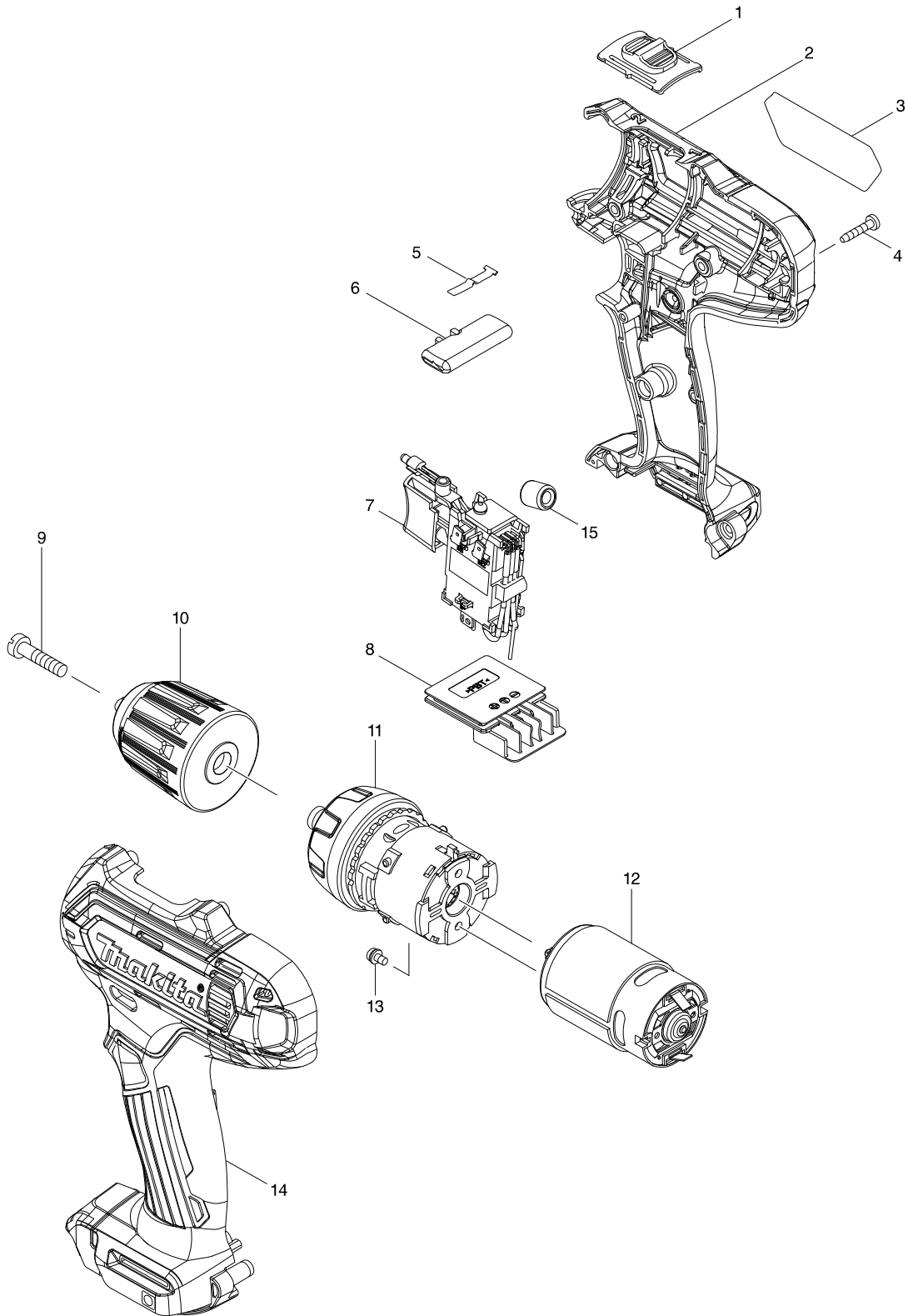


Model No. DF331D CORDLESS DRIVER DRILL



Model No. DF331D CORDLESS DRIVER DRILL

Item	Parts No.	Description	I/C	QTY	N/O	Opt. 1	Opt. 2	NOTE
001	126233-0	SPEED CHANGE LEVER ASSEMBLY		1		84679900		
C10	231433-0	COMPRESSION SPRING 4		2		73209090		
002	183B50-3	HOUSING SET		1		84679900		
C10	252126-6	HEX. LOCKING NUT M4-7		2		73181500		
D10		INC. 14						
003	851H36-8	DF331D NAME PLATE		1	*			
003-1	851H35-0	DF331D NAME PLATE	<	1				
004	266429-2	TAPPING SCREW 3X16		9		73181500		
005	232239-9	LEAF SPRING		1		73209090		
006	456039-5	F/R CHANGE LEVER		1		73182990		
007	632F43-6	SWITCH UNIT		1	*	85366990		
C10	620463-0	LED CIRCUIT		1	*	94051090		
007-1	632J77-3	SWITCH UNIT	<	1		85381090		
C10	620625-0	LED CIRCUIT		1		94059900		
008	644813-5	TERMINAL		1		73182990		
009	251451-2	- PAN HEAD SCREW M5X22		1		73181500		
010	763228-8	KEYLESS DRILL CHUCK 10		1		84661000		
011	123503-8	GEAR ASS'Y		1	*	84679900		
011-1	127099-1	GEAR ASSEMBLY	<	1		84834000		
012	629169-7	DC MOTOR		1	*	85011019		
012-1	629167-1	DC MOTOR	O	1		85011019		
013	911003-8	PAN HEAD SCREW M3X6		2		73181500		
014	183B50-3	HOUSING SET		1		84679900		
C10	252126-6	HEX. LOCKING NUT M4-7		2		73181500		
D10		INC. 2						
A01	251314-2	+ SCREW M4X12		1		73181500		
A02	346909-5	HOOK		1		73269099		
A03	784244-7	+ BIT 2-50		1		82075000		
A04A	456128-6	BATTERY COVER		1				
A04C	456128-6	BATTERY COVER		1				
A05A	***DC10WD	DC10WD BATTERY CHARGER		1				
D10		COMPO-PARTS						
A05C	***DC10WD	DC10WD BATTERY CHARGER		1				
D10		COMPO-PARTS						
A06A	197396-9	BATTERY BL1021B SET		2	*	85068090		
A06C	197393-5	BATTERY BL1016 SET		2	*	85068090		
A06-1A	198008-7	BATTERY BL1021B SET	<	2		85076000		
A06-1C	198007-9	BATTERY BL1016 SET	<	2		85076000		
A07A	821661-1	PLASTIC CARRYING CASE		1				
C10	417724-5	LATCH		2		73182990		
A07C	821661-1	PLASTIC CARRYING CASE		1				
C10	417724-5	LATCH		2		73182990		