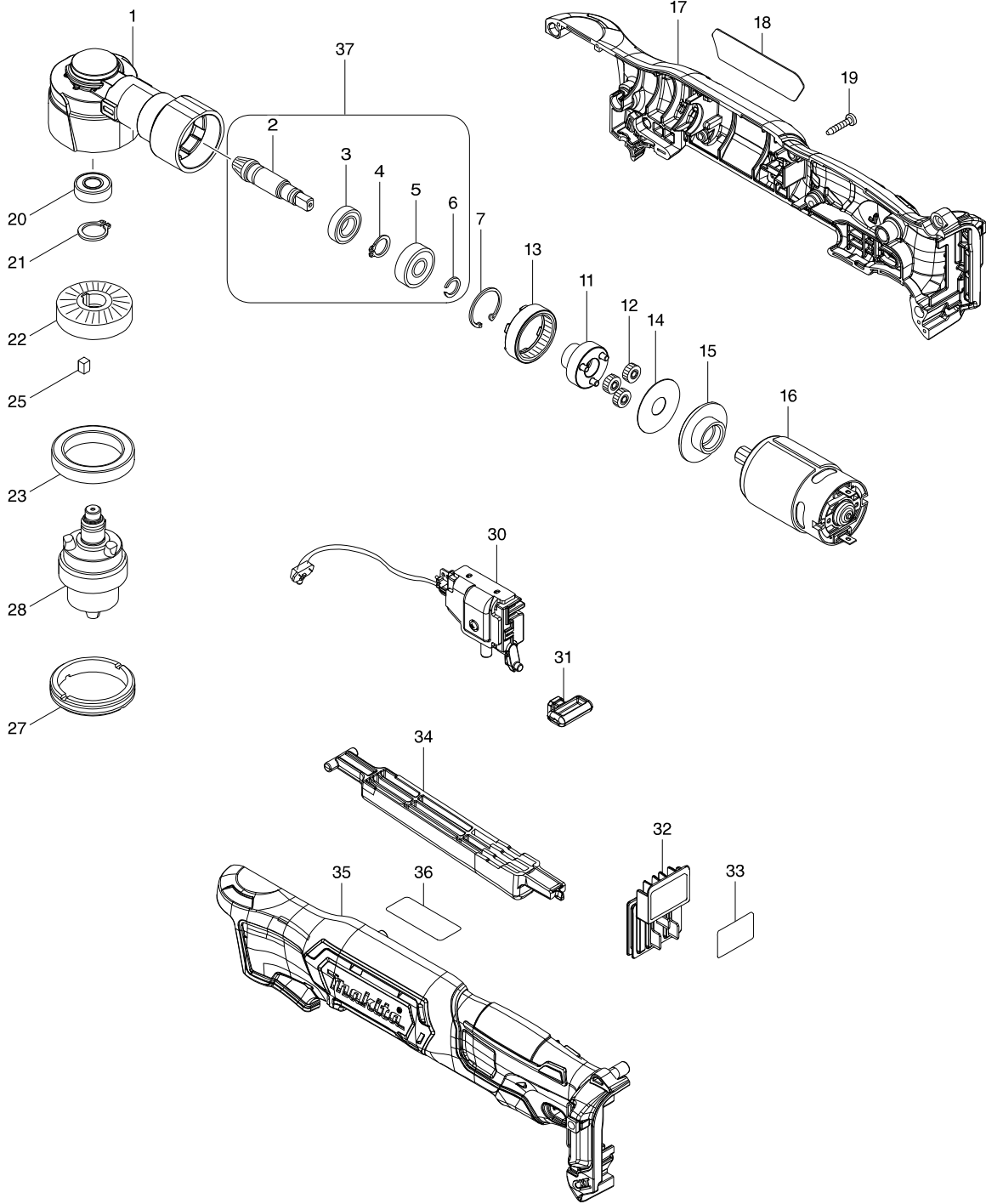


Model No. DA332D 10MM CORDLESS ANGLE DRILL



# Model No. DA332D 10MM CORDLESS ANGLE DRILL

| Item  | Parts No. | Description                | I/C | QTY | N/O | Opt. 1   | Opt. 2 | NOTE |
|-------|-----------|----------------------------|-----|-----|-----|----------|--------|------|
| 001   | 319634-1  | GEAR HOUSING               |     | 1   |     |          |        |      |
| 002   | 221570-8  | SPIRAL BEVEL GEAR 6        |     | 1   | *   |          |        |      |
| 002-1 | 226195-3  | SPIRAL BEVEL GEAR 6        | S   | 1   |     |          |        |      |
| 003   | 210171-7  | BALL BEARING 6800ZZ        |     | 1   |     |          |        |      |
| 004   | 961006-2  | RETAINING RING S-10        |     | 1   |     | 73182990 |        |      |
| 005   | 210029-0  | BALL BEARING 608ZZ         |     | 1   |     | 84821090 |        |      |
| 006   | 961034-7  | RETAINING RING             |     | 1   |     | 73182990 |        |      |
| 007   | 962102-9  | RETAINING RING R-22        |     | 1   |     | 73182990 |        |      |
| 011   | 144701-1  | CARRIER COMPLETE           |     | 1   |     |          |        |      |
| 012   | 221572-4  | SPUR GEAR 17               |     | 3   |     |          |        |      |
| 013   | 221569-3  | INTERNAL GEAR 48           |     | 1   |     |          |        |      |
| 014   | 253396-0  | FLAT WASHER 10             |     | 1   |     |          |        |      |
| 015   | 457972-4  | MOTOR BRACKET              |     | 1   |     |          |        |      |
| 016   | 629289-7  | DC MOTOR                   |     | 1   |     |          |        |      |
| 017   | 183H38-9  | HOUSING SET                |     | 1   |     |          |        |      |
| C10   | 252126-6  | HEX. LOCKING NUT M4-7      |     | 2   |     | 73181500 |        |      |
| D10   |           | INC. 35                    |     |     |     |          |        |      |
| 018   | 853T44-7  | DA332D NAME PLATE          |     | 1   |     |          |        |      |
| 019   | 266130-9  | TAPPING SCREW BIND PT 3X16 |     | 9   |     | 73181500 |        |      |
| 020   | 211166-3  | BALL BEARING 698DDW        |     | 1   |     | 84821090 |        |      |
| 021   | 961052-5  | RETAINING RING S-12        |     | 1   |     | 73182990 |        |      |
| 022   | 227601-1  | SPIRAL BEVEL GEAR 31       |     | 1   |     | 84679900 |        |      |
| 023   | 211423-9  | BALL BEARING 6806DDW       |     | 1   |     | 84821090 |        |      |
| 025   | 254201-4  | KEY 4                      |     | 1   |     | 84679900 |        |      |
| 027   | 285842-5  | BEARING RETAINER 36-43     |     | 1   |     | 84679900 |        |      |
| 028   | 763245-8  | DRILL CHUCK S10            |     | 1   |     |          |        |      |
| 030   | 651097-8  | SWITCH C3HW-3A-PLF5MS-W    |     | 1   |     |          |        |      |
| 031   | 450126-2  | FR CHANGE LEVER            |     | 1   |     | 73182990 |        |      |
| 032   | 644813-5  | TERMINAL                   |     | 1   |     | 73182990 |        |      |
| 033   | 853T61-7  | DA332D SERIAL NO. LABEL    |     | 1   |     |          |        |      |
| 034   | 457973-2  | SWITCH LEVER               |     | 1   |     |          |        |      |
| 035   | 183H38-9  | HOUSING SET                |     | 1   |     |          |        |      |
| C10   | 252126-6  | HEX. LOCKING NUT M4-7      |     | 2   |     | 73181500 |        |      |
| D10   |           | INC. 17                    |     |     |     |          |        |      |
| 037   | 135922-6  | GEAR ASSEMBLY              |     | 1   | *   |          |        |      |
| D10   |           | INC. 2-6                   |     |     | *   |          |        |      |
| 037-1 | 135922-6  | GEAR ASSEMBLY              | O   | 1   | *   |          |        |      |
| D10   |           | INC. 2-6,38                |     |     | *   |          |        |      |
| 037-2 | 135977-1  | GEAR ASS'Y                 | O   | 1   |     |          |        |      |
| D10   |           | INC. 2-6                   |     |     |     |          |        |      |
| 038   | 253310-6  | THIN WASHER 10             |     | 1   | *   | 84679900 |        |      |
| A01   | 784244-7  | + BIT 2-50                 |     | 1   |     | 82075000 |        |      |
| A02   | 346909-5  | HOOK                       |     | 1   |     | 73269099 |        |      |
| A03   | 251314-2  | + SCREW M4X12              |     | 2   |     | 73181500 |        |      |
| A04   | 763450-7  | CHUCK KEY S10              |     | 1   |     | 84679900 |        |      |
| A05   | 457974-0  | KEY HOLDER                 |     | 1   |     |          |        |      |
| A06B  | ***DC10WD | DC10WD BATTERY CHARGER     |     | 1   |     |          |        |      |
| A06C  | ***DC10WD | DC10WD BATTERY CHARGER     |     | 1   |     |          |        |      |

