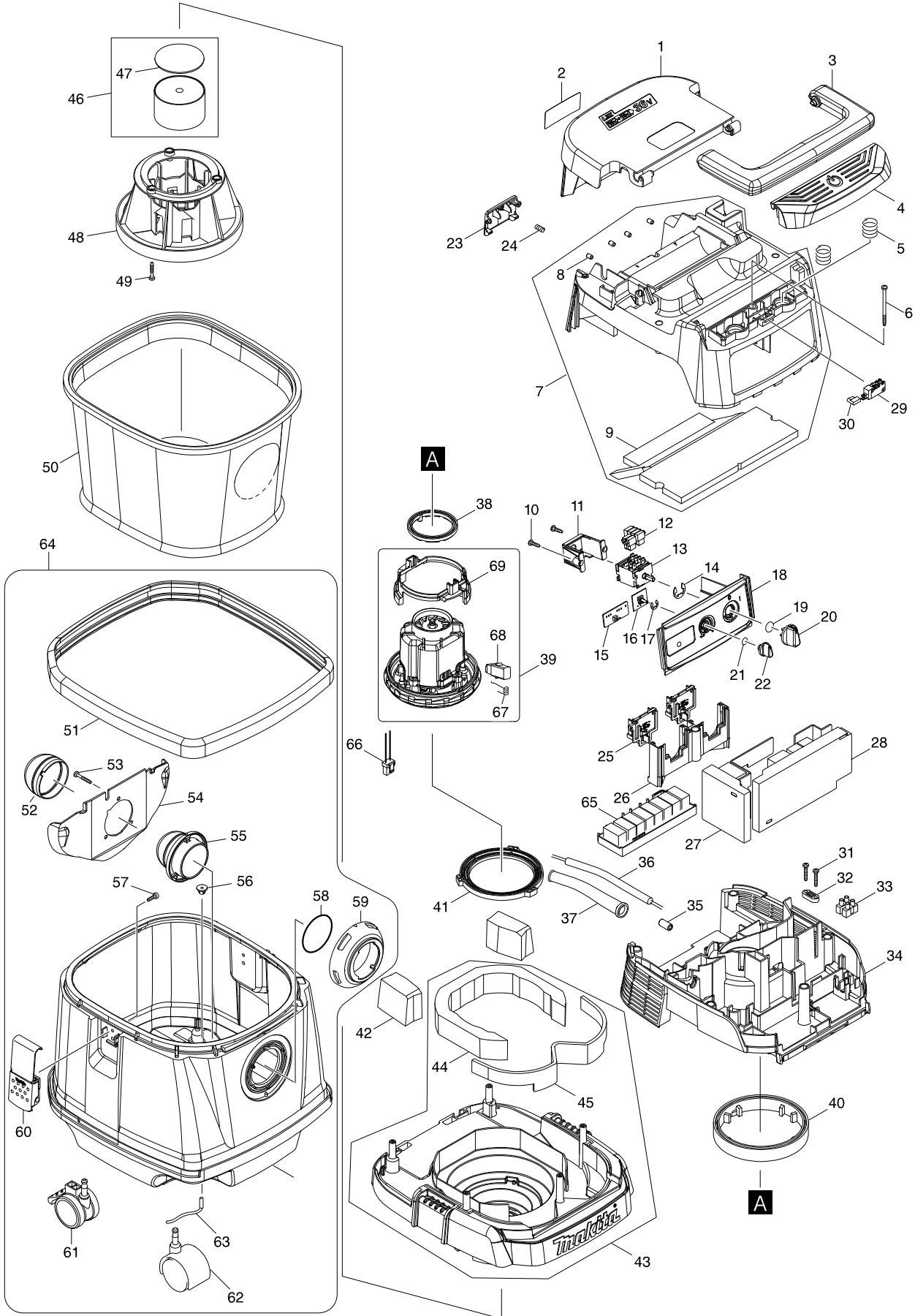


Model No. DVC150L CORDED&CORDLESS VACUUM CLEANER



Model No. DVC150L CORDED&CORDLESS VACUUM CLEANER

Item	Parts No.	Description	I/C	QTY	N/O	Opt. 1	Opt. 2	NOTE
001	143174-5	BATTERY COVER COMPLETE		1				
C10	891977-8	CAUTION LABEL		1	83100090			
002	855W31-0	DVC150L NAME PLATE		1				
003	455734-4	GRIP		1				
004	459262-1	SWITCH BUTTON		1				
005	234273-5	COMPRESSION SPRING 20		2				
006	266340-8	TAPPING SCREW 4X65		6	73181500			
007	143173-7	COWLING COMPLETE		1				
D10		INC. 8,9						
008	263005-3	RUBBER PIN 6		4	40169390			
009	424688-6	TOP DAMPER		1				
010	266326-2	TAPPING SCREW 4X18		2	73181500			
011	451343-7	SWITCH HOLDER		1	82078000			
012	686023-8	RECEPTACLE SLEEVE		6	73182990			
013	650745-6	SWITCH		1				
014	961062-2	STOP RING E-12		1	73182990			
015	620394-3	LED CIRCUIT		1				
016	631922-9	SUB CONTROLLER		1	84679900			
017	961013-5	STOP RING E-7		1	73182990			
018	143176-1	SWITCH BASE COMPLETE		1				
C10	806G39-1	INDICATION LABEL		1				
019	213176-6	O RING 14		1	40169320			
020	455733-6	SWITCH LEVER		1				
021	213054-0	O RING 9		1	40169320			
022	451344-5	SWITCH DIAL		1	39269099			
023	455728-9	BATTERY COVER HOOK		1				
024	231240-1	COMPRESSION SPRING 7		1	73209090			
025	644808-8	TERMINAL		2	73182990			
026	455729-7	TERMINAL BASE		1				
027	620406-2	CONTROLLER B		1				
028	620392-7	CONTROLLER A		1				
029	651910-0	SWITCH D2VW-01-3HS		1				
030	686039-3	RECEPTACLE SLEEVE		2	73182990			
031	266374-1	TAPPING SCREW 4X25		2	73181500			
032	687123-7	STRAIN RELIEF		1	84679900			
033	654561-8	TERMINAL BLOCK		1				
034	455726-3	SEPARATER		1				
036	666899-9	POWER SUPPLY CORD 1.0-2-0.55		1				
037	682584-6	CORD GUARD		1				
038	424685-2	RUBBER RING 60		1	40169320			
039	629158-2	MOTOR ASSEMBLY		1				
D10		INC. 67-69						
040	424686-0	RUBBER RING 120		1	40169320			
041	424687-8	SUPPORT RING		1	40169320			
042	424690-9	REAR BLOCK FILTER		2				
043	143175-3	TANK COVER COMPLETE		1				
D10		INC. 44,45						
044	424691-7	BAND DAMPER		1	84679900			

Model No. DVC150L CORDED&CORDLESS VACUUM CLEANER

Item	Parts No.	Description	I/C	QTY	N/O	Opt. 1	Opt. 2	NOTE
045	424689-4	FRONT DAMPER		1		84679900		
046	158166-1	FLOAT COMPLETE		1		84679900		
	D10	INC. 47						
047	423365-7	SPONGE SEAL 70		1		40169390		
048	419725-9	FLOAT CAGE		1		73182990		
049	266374-1	TAPPING SCREW 4X25		3		73181500		
050	140248-3	CLOTH FILTER COMPLETE		1		48239090		
051	422148-2	BUMPER		1				
052	424382-0	RUBBER HOLDER		1		84679900		
053	266257-5	TAPPING SCREW 4X28		3		73181500		
054	419351-4	HOLDER PLATE		1				
055	419350-6	HOLDER		1				
056	421468-1	CORD SEAL		1		40169390		
057	266192-7	TAPPING SCREW 4X14		4		73181500		
058	213655-4	O RING 56		1		40169320		
059	451348-7	INLET		1				
060	168537-4	HOOK		2		84679900		
061	168535-8	CASTER 50		2				
062	168434-4	CASTER 50		2				
063	649150-2	EARTH LINE 120		1		84679900		
064	191B56-7	TANK ASSEMBLY SET A		1				
	D10	INC. 51-63						
065	620502-6	CONTROLLER C		1				
066	632F97-3	LEAD UNIT		1				
067	DM46312612	BRUSH SPRING		2				
068	197208-6	CARBON BRUSH CB-353		1				
069	DM46714602	BRUSH HOLDER		1				
A01	122512-4	NOZZLE ASS'Y 38		1				
C01	151449-8	ROLLER 40 COMPLETE		2				
C06	415962-3	ROLLER 14		2				
C11	256241-8	PIN 3		2				
C16	265871-4	TAPPING SCREW BT 4X16		6				
C21	154427-7	ELBOW JOINT COMPLETE		1				
C26	415965-7	UPPER NOZZLE		1				
C31	415964-9	JOINT HOLDER		1				
C36	743328-0	BRUSH		1				
C41	743327-2	WIPER		1				
A02	195434-1	HOSE COMPLETE 38-2.5 SET		1		40169390		
C10	417191-4	CUFF LOCK		1		84679900		
C20	417306-3	SLEEVE		2				
C30	417307-1	FRONT CUFF		1				
C40	417586-1	STOPPER		2		40169390		
A03	195432-5	POLY BAG SET(650X650)		1				
A04	192563-1	STRAIGHT PIPE SET 565-38		1		84679900		
A05	192562-3	BENDING PIPE		1		84679900		
A06	410306-2	CORNER NOZZLE		1		40169390		
A07	451350-0	STOPPER		1		73182990		
A08	455732-8	TOOL BOX		1				

